

A Collaborative Meeting Experience at Your Fingertips

CTP18 is a collaboration touch panel designed for small and medium rooms. Its 8-inch touch screen and user-centered interactive design allow users to join or control a meeting quickly and effortlessly. It greatly reduces the difficulty of using video conferencing system and creates a better meeting experience.

When CTP18 works with Yealink Wireless Presentation Pod WPP20, you can annotate or control the shared content on CTP18 directly, thereby improving the communication efficiency.



8-Inch Multi-touch Screen



Power over Ethernet



Annotation on Shared Content



Wi-Fi & Bluetooth



Adjustable Screen Angle



Key Features

More Efficient Collaboration

Up to 4 CTP18 units can be used simultaneously in one system. Multiple participants can annotate on the shared content at the same time. Besides, the real-time handwriting presentation allows participants to see what is being written with no latency and makes discussions much more effective. When CTP18 works with Yealink Wireless Presentation Pod WPP20, you can gain reverse control from CTP18 over your computer, getting a multi-screen interaction that assists you to achieve more.

Richer and Easier Meeting Control Features

CTP18 adopts effortless and user-centered interaction design, making meeting control more easier. The touch control of the screen outperforms traditional control modes magnificently. You can create or join a meeting on the home screen, and all meeting controls can be navigated on CTP18 with just a touch or a swipe of your finger, including previewing and adjusting the camera, changing the participant layouts, recording, etc.

Clutter-Free Meeting Space

CTP18 supports PoE where one cable carries both data and power for the device. Data transmission between CTP18 and the VCS endpoint is realized either by cable or by Wi-Fi, which eliminates the tricky wiring connections between the TV area and the conference table, saving you from remodeling the meeting spaces.

- Android 9.0 operating system
- 8-inch touch screen
- Support conference control
- Support annotation on shared content
- Connect to VCS endpoint via cable or via Wi-Fi
- Power over Ethernet (IEEE 802.3af)

Connection

- Connect to VCS endpoint via cable
- Pair with the VCS endpoint in the same LAN (supported by later versions)
- Connect to VCS endpoint via Wi-Fi

System Compatibility

- MeetingEye 400/MeetingEye 600
 - 44 or later versions
 - Up to 4 CTP18 units can be used in one system
- VC880/VC800/VC500
 - Supported by later versions
 - Up to 4 CTP18 units can be used in one system
- VC200/VC210
 - Supported by later versions
 - Up to 1 CTP18 unit can be used in one system

Wireless Network

- Wi-Fi
 - 2.4G/5G Wi-Fi
 - IEEE 802.11n/ac
 - Support connecting to the Wi-Fi generated by Yealink VCS endpoints only

Display

- Screen
 - 8-inch IPS FHD capacitive touch screen
- Resolution
 - 1280*800 (16:10)
- Touch
 - 10 points multi-touch

Interface

- USB
 - 1 x USB-C for device debugging
- RJ45
 - 1 x RJ45 Ethernet for power and data connection
- Reset slot
 - 1 x Reset slot

Accessories

- Wall Mount Bracket
 - 1 x wall mount bracket
- Security lock slot
 - 1 x security lock slot for anti-theft

Other Physical Features

- Power supply
 - Power over Ethernet (IEEE 802.3af)
- Power input
 - PoE 48V $\overline{=}$ 0.27A
- Power consumption
 - 7W at most
- Stand
 - Adjustable angle (28°~50°)
- Dimension (W*D*H)
 - 202mm x 151mm x 100mm

Compliance





About Yealink

Yealink is a global leading provider of enterprise communication and collaboration solutions, offering video conferencing service to worldwide enterprises. Focusing on research and development, Yealink also insists on innovation and creation. With the outstanding technical patents of cloud computing, audio, video and image processing technology, Yealink has built up a panoramic collaboration solution of audio and video conferencing by merging its cloud services with a series of endpoints products. As one of the best providers in more than 140 countries and regions including the US, the UK and Australia, Yealink ranks No.1 in the global market share of SIP phone shipments.

Copyright

Copyright © 2020 YEALINK(XIAMEN) NETWORK TECHNOLOGY CO., LTD.

Copyright © 2020 Yealink(Xiamen) Network Technology CO., LTD. All rights reserved. No parts of this publication may be reproduced or transmitted in any form or by any means, electronic or mechanical, photocopying, recording, or otherwise, for any purpose, without the express written permission of Yealink(Xiamen) Network Technology CO., LTD.

All-in-One Android Video Collaboration Bar for Medium Room

Yealink MeetingBar A30 Teams Edition, an all-in-one video collaboration bar for Medium rooms. Featuring 8MP camera and 120° super-wide-angle lens, A30 delivers outstanding video quality. Together with the electric privacy shutter, its AI technologies including Auto Framing and Speaker Tracking and so on allow users to experience a smarter and safer video conference. With 8 MEMS microphone arrays and Yealink noise proof algorithm, A30 brings excellent audio experience in medium rooms even in full-duplex mode and ensures that everyone can be heard as well as seen. Supporting human body detection, A30 provides convenient and fast meeting experience. Moreover, A30 combines computing unit, camera, microphones, speaker, Wi-Fi, and Bluetooth, which provides you a solution of simple deployment. A30 supports for cloud video platforms like Zoom and Microsoft Teams means no PC or Mac is required. A30 is capable of content sharing and whiteboard that making the meeting more communicative and collaborative. Simple and flexible deployment but powerful features deliver excellent video collaboration performance.



Qualcomm SD845 chipset



Two Cameras Design



Wide-angle Lens



Electric Privacy Shutter



Dual Screen



Auto Framing



Speaker Tracking



All in One Design



Key Features and Benefits

Smart Video Collaboration

Based on Android 9.0 OS, A30 owns native Teams or Zoom expensive that all features can be operated by just one touch or by the remote controller. Meanwhile, A30 supports both content sharing and whiteboard that making the meeting more communicative and collaborative.

See Everyone Clearly

Equipped with Qualcomm Snapdragon 845, A30 has strong image processing, encoding and decoding capabilities. Besides, with its 8 MP camera can provide a high-quality video conference experience. With super-wide 120° field of view, everyone in the conference can be seen without adjusting the camera. Moreover, the image brightness can be automatically optimized even in a dim or backlight environment, ensuring the participant faces can be seen clearly.

Two cameras design with AI technology

A30 is equipped with two cameras design, one for panoramic analysis and one for image output. Featuring AI technology, including Auto Framing and Speaker Tracking, A30 not only supports framing the groups automatically according to the number and the position of the participants, but also automatically zoom in the speaker without adjusting the camera, making the participants more focus on the conference.

Precise Sound Localization, Full-Duplex Experience

8 MEMS microphone arrays make A30 have stronger ability of noise proof and dereverberation. The new upgraded beamforming algorithm, together with technology of processing on acoustic echo cancellation and the dereverberation, brings high quality full-duplex call and realizes more precise voice pickup.

All-in-one Design for Fast Start

Integrating computing unit, camera, microphones, speaker, Bluetooth, Wi-Fi, A30 takes up less space and minimizing cable clutter. For your easy deployment, it is ready for a video conference by simply plugging in the power adapter and HDMI cable. In addition, the Yealink Device Management ensures an easy management to you

- Qualcomm Snapdragon 845 chipset
- ALL-IN-ONE design
- Two Cameras Design
- 120° Super filed of view
- Electric Privacy Shutter
- Dual screen
- Auto framing and speaker tracking
- Built-in Bluetooth
- Built-in dual-band Wi-Fi
- Content sharing
- Whiteboard
- Certified by Zoom & Microsoft Teams

Dual Camera System

- Wide Camera:
 - 8MP Camera
 - Field of view: 120°
 - 4x e-PTZ Camera
- Telephoto Camera:
 - 8MP Camera
 - Field of view: 90°
 - 10x Hybrid Zoom (3.5x optical, 3x digital)
 - Horizontal Rotation Angle: +25°/-25°
 - Vertically Rotation Angle: +16°/-16°
- Electric Privacy Shutter
- Intelligence Features
 - Auto Framing
 - Speaker Tracking

Audio

- Built-in 8 MEMS microphone array
- Support extension mic
- Two Built-in 5W high fidelity speaker
- Yealink Noise Proof Technology
- Beamforming directed voice pickup technology
- Full-duplex
- Echo cancellation

Operating System

- Android 9.0

Meeting Features

- Calendar
- One-click join
- Meeting collaboration
 - Content sharing
 - Whiteboard
- Meeting control:
 - Add participates
 - Hold/Resume

- Camera On/Off
- Mute/Unmute
- Volume Up/Down
- Hang up

- Teams Edition
 - Microsoft DM
 - Proximity join
- Zoom Edition
 - Zoom DM
 - Direct sharing

Video Standard and Network Suitability

- Video codecs: H.264 High profile, H.264 SVC, H.264

Network and Security Features

- Built-in dual-band Wi-Fi (2.4GHz/5GHz)
- Built-in Bluetooth
- IPv4 and IPv6, DHCP/static IP
- HTTP/HTTPS web server
- SRTP/TLS, AES 256-bit encryption
- QoS: 802.1p/q, Diff-serv
- VLAN, LLDP
- IEEE802.1X
 - EAP-MD5/EAP-TLS
 - PEAP-MSCHAPv2
 - EAP-TTLS/EAP-MSCHAPv2
- Network diagnosis: Ping, Trace route
- Time and date synchronization using SNTP
- Built-in certificate
- Simple Certificate Enrollment Protocol (SCEP)* coming soon

Connections

- 2 x HDMI output (CEC supported)
- HDMI input (through the VCH51 Sharing Kit)
- 1 x Line-in (3.5mm)
- 1 x Line-out (3.5mm)
- 2 x USB 2.0
- 1 x 10/100M/1000M Ethernet port

- 1 x Yealink extension port (RJ-45)
- 1 x Power port
- 1 x Security lock slot
- 1 x Reset slot

Other Physical Features

- External Yealink Power Adapter: AC 100~240V input and DC 48V/0.7A Output
- USB Output: 5V \equiv 0.5A
- Power consumption (PSU):
 - Idle < 13W; Normal operating: 15W; MAX: 16W
- Dimension (W.D.H): 700 mm x 98 mm x 121 mm
- Operating humidity: 10~95%
- Operating temperature: 0~40°C
- Storage temperature: -30~70°C

MeetingBar A30 Package

- Package contents:
 - MeetingBar A30 endpoint
 - 3m Ethernet cable
 - 2 x 1.8m HDMI cable
 - Mounting Bracket and Accessories
 - Power adapter
 - Quick Start Guide
 - Controller (optional):
 - CTP18 Touch Panel
 - VCR20 Remote Control
 - Content sharing(optional):
 - VCH51 Sharing Kit (HDMI/USB-C)
 - WPP20 Wireless Presentation Pod

- Carton Meas: 903*325*306mm

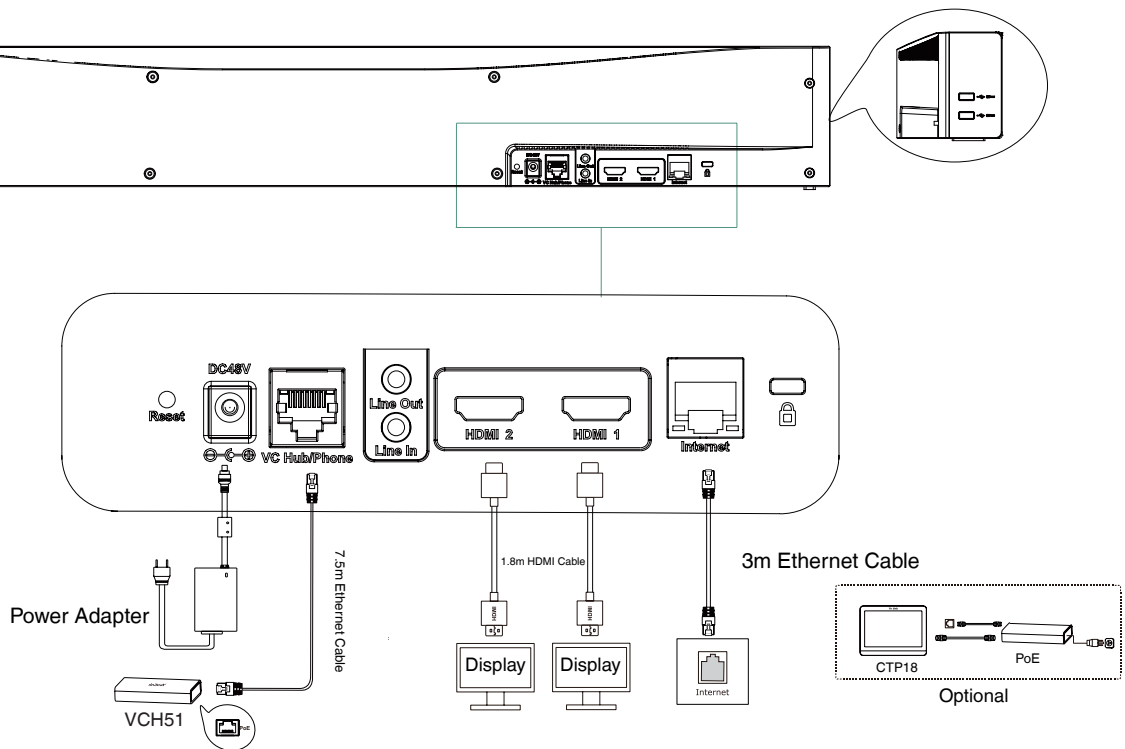
MeetingBar A30 + CTP18 Package

- Carton Meas: 923*495*327mm

Compliance



Endpoint Connections



Note:

- If you connect a touch display device, you can operate the A30 either by remote control or touch control.
- If you connect a non-touch display device, you can only use the remote control.



About Yealink

Yealink (Stock Code: 300628) is a global brand that specializes in video conferencing, voice communications and collaboration solutions with best-in-class quality, innovative technology and user-friendly experience. As one of the best providers in more than 140 countries and regions, Yealink ranks No.1 in the global market share of SIP phone shipments (Global IP Desktop Phone Growth Excellence Leadership Award Report, Frost & Sullivan, 2019).

Copyright

Copyright © 2021 YEALINK(XIAMEN) NETWORK TECHNOLOGY CO., LTD.

All rights reserved. No parts of this publication may be reproduced or transmitted in any form or by any means, electronic or mechanical, photocopying, recording, or otherwise, for any purpose, without the express written permission of Yealink(Xiamen) Network Technology CO., LTD.