

FLUKE

Y2638S single

Y2638D dual

Rack Mount Kit

Instruction Sheet

Instruction

This sheet provides instructions for mounting the Fluke 2638A series multimeters (hereafter referred to as the Meter) in a standard 19-inch rack panel using the Rack Mount Kit.

Preparation

Before installing the rack mount kit, first remove the handle, rubber boots, and two screws from the Meter by performing the following steps:

1. With the Meter flat on the desk, rotate the Meter handle to the vertical position over the top of the Meter as shown in Figure 1.
2. Remove the handle by pulling one side of the handle outward, away from the Meter until free, as shown in Figure 1. Then pull the other side of the handle out, away from the Meter .
3. To remove the boots, pry and pull them from the Meter .
4. Remove the side screw(2) from the Meter .

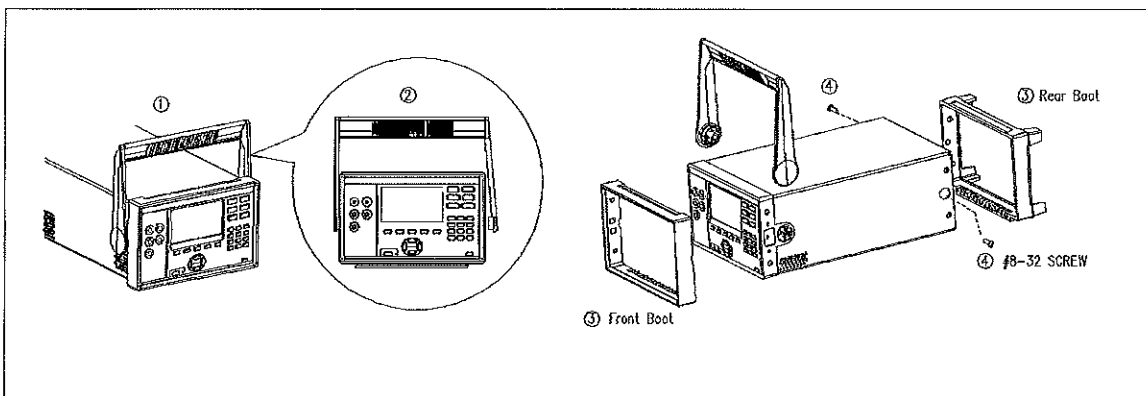


Figure 1

Installing a Single Rack Mount Kit (Y2638S)

The Y2638S Rack Mount Kit allows for the mounting of the Meter on either the left or right side of a standard 19-inch rack. The following steps describe mounting the Meter on the left side of the rack.

1. Using three #8-32 x 1/2" panhead screws, attach the Rack_2 on the right front side of the Meter, keeping the smooth face with three holes of the bracket facing the front as shown in Figure 2.
2. As No. 1 step, using three #8-32x 1/2" panhead screws to attach the Rack_2 on the left front side of the Meter.
3. Using three M6 to insert the Rack_4 and the Rack_2 on the right side, fixed them together with three nuts.
4. Install the assembled rack mount kit in the rack using the six M6 screws with the Rack_5 under the screws on the left-hand side of the rack as shown in Figure 2.

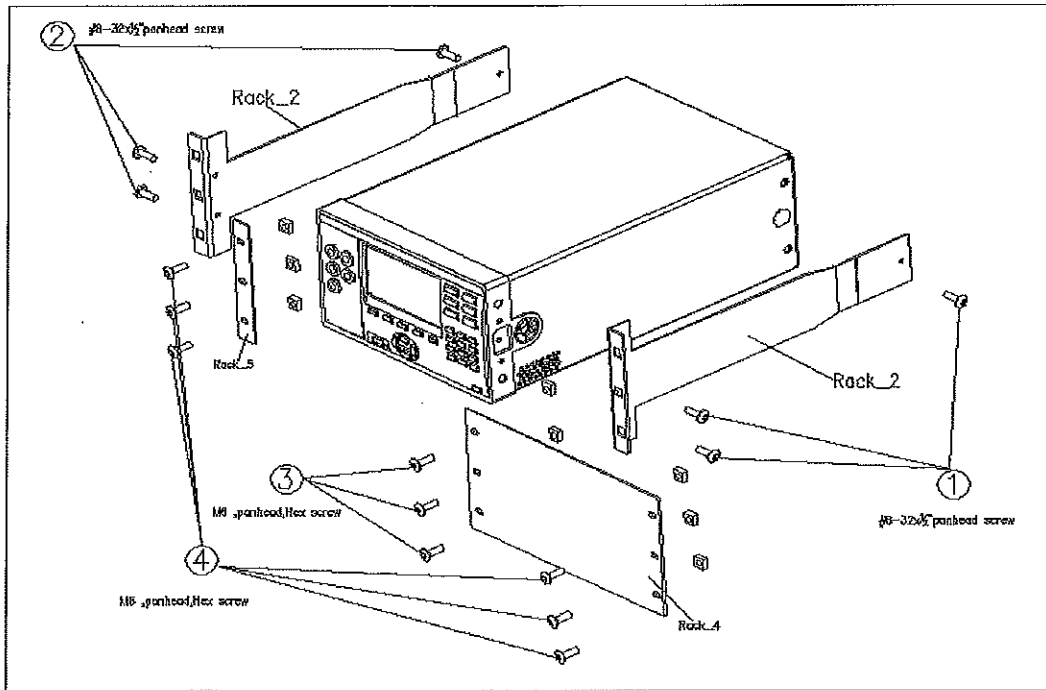


Figure 2

Installing a Dual Rack Mount Kit (Y2638D)

To install the Y2638D Dual Rack Mount Kit , first follow the step 1 listed under “ Installing a Single Rack Mount Kit” earlier in this document on one Meter ,then perform the follow steps to fix the Dual Rack Mount Kit .

1. using three #8-32x ½” panhead screws to attach the Rack_2 on the left front side of the second Meter as shown in Figure 3.
2. Using six #8-32 x ½” panhead screws to attach the two Rack_3 on the first Meter left side and on the second Meter right side .
3. Place the two Meter side by side on the flat desk, and align two guide pins with holes on each Rack_3 ,the move one Meter forward or backward to keep the two front panels aligned ,then using two #8-32 x ½” panhead screws with the Rack_6 to fix two Meters together .
4. Install the assembled rack mount kit in the rack using the six M6 screws with two Rack_5 under the screws as shown in Figure 3 .

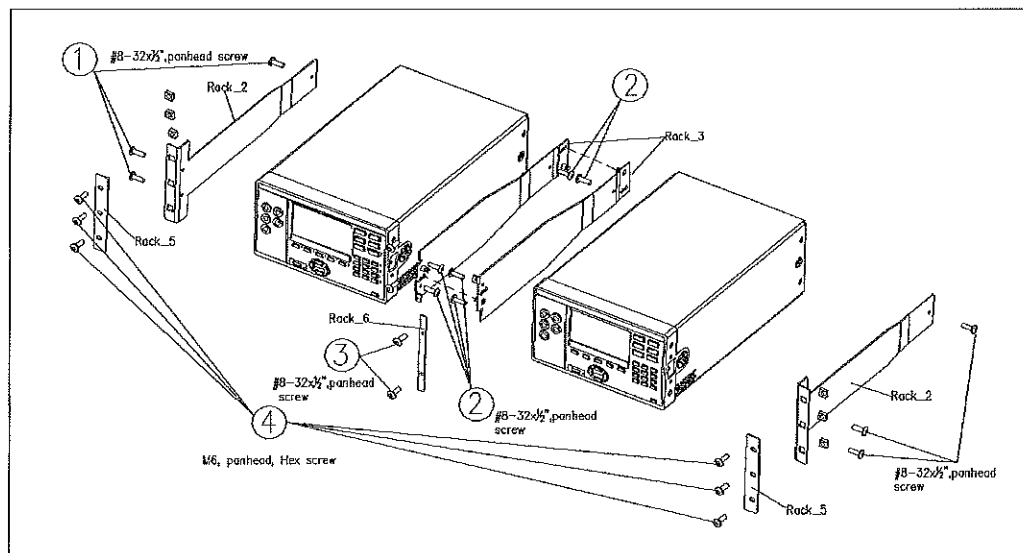


Figure 3