

WAT-09U2 (G3.6)

1/2.8" Ultra-compact USB2.0 Full HD B&W Camera

Released in Fall 2023

Ultra-compact design enables the camera to be installed anywhere from surveillance to embedded applications

NEW

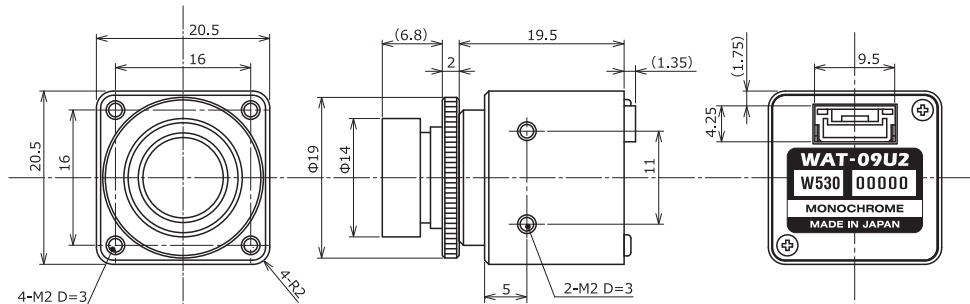


*NO CE & FCC

Key features

- 1/2.8-inch CMOS sensor with high quality video output at 30fps in Full HD
- Ideal for embedding due to the special designed USB connector reduces depth
- Various optional M12 lenses available *Std. lens: G3.6
- Lens fixing ring prevents misalignment of focus
- Min. illumination 0.004 lx F2.0 (AGC HIGH=36dB Shutter=OFF)
0.001 lx F2.0 (AGC HIGH=36dB, Shutter=1/7.5 sec.)

Dimensions



Specifications

Pick-up element	1/2.8 inch CMOS image sensor	
Number of effective pixels	1945(H) × 1097(V)	
Unit cell size	2.9µm(H) × 2.9µm(V)	
Imaging system	-	
Synchronizing system	Internal	
Scanning system	Progressive	
Output size	1920x1080, 1280x720, 640x480, 320x240	
Max. frame rate	60 fps	
Video compression	MJPEG, YUY2	
Video output	USB Video Class (Compatible)	
Resolution (H)	More than 800 (Center)	
Minimum illumination	0.004 lx F2.0 (AGC ON=36dB, Shutter=OFF)	
	0.001 lx F2.0 (AGC ON=36dB, Shutter=1/7.5 sec.)	
S/N	-	
Function settings	Camera Viewer	
AE mode	Fixed	1/15, 1/7.5, 1/4 sec.
		1/30, 1/60, 1/120, 1/250, 1/500, 1/1000, 1/2000, 1/4000, 1/8000 sec.
	EI	1/30 - 1/8000 sec. 1/7.5 - 1/8000 sec.
White balance	-	
AGC	ON	0 - 36dB
	OFF	-
MGC	0 - 72dB (1dB step)	
Gamma characteristics	γ≠USER (Level adjustable)	
Noise reduction	-	
Wide dynamic range	-	
Lens iris	-	
Back light compensation	BLC	
White blemish correction	-	
Sharpness	Level adjustable	
Defog	-	
Digital zoom	×1, ×1.38, ×2.25 *1	×1, ×1.2, ×1.5 *2
Privacy mask	-	
Mirror image	-	
Freeze	-	
Motion detection	-	
Neg.image	-	
Interface	USB (High speed)	
Power supply	USB +5V	
Power consumption	0.75W (150mA)	
Operating / Storage Temperature	-10 - +50°C / -30 - +70°C	
Operating / Storage Humidity	95% RH or less (Without condensation)	
Lens mount	M12 P=0.5	
Standard lens	M3620BC-12 (f3.6 F2.0)	
Cable length	1.0m (Max. 3.0m)	
Weight	Approx. 18g	
Accessories	USB cable (USB2.0 Standard-A), M12 Lens Fixing Ring	
Recommended System Specifications	CPU	Intel® Core TM i Series
	RAM	2GB or larger
	Others	USB2.0 Port, 1920×1080 or better resolution display
Operation Confirmed OS	Windows 10 32bit/64bit, Windows 11, Android 4.0 or later	

*1: Output format: 640x480 *2: Output format: 1280x720

Accessories Options

