

RESTAURANT RANGES

VULCAN**36" ELECTRIC
SALAMANDER BROILER**

Model 36ESB

**SPECIFICATIONS**

Electric salamander broiler, Vulcan Model No. 36ESB. Stainless steel front, top and sides. 4500 watt element with dual heat controls with improved temperature control (250°F-800°F at rack). Cool-to-the-touch knob on lever provides positive positioning of the broiling carriage. Heavy-duty chrome plated broiling grid measures 27½"w x 13"d. Removable full width spillage pan.

Exterior Dimensions:

36"w x 19"d x 17⅞"h.

CSA Design Certified. NSF Listed.

- 36ESB-208** 36" Salamander Broiler / 208V
- 36ESB-240** 36" Salamander Broiler / 240V
- 36ESB-480** 36" Salamander Broiler / 480V

STANDARD FEATURES

- Stainless steel front, top and sides.
- Dual heat controls for zone cooking.
- (2) 2250 watt heating elements for better cooking zone control.
- (2) infinite switch controls 208 & 240 volt.
- (2) 4 position, 3 heat, switch 480 volt.
- Cool-to-the-touch knob on lever provides positive positioning of the broiler carriage (6 positions).
- Heavy-duty chrome plated grid (27½"w x 13"d).
- Removable full width spillage pan.
- Standard voltage 208, 240 or 480 volt, 1 or 3 phase power supply.

OPTIONS

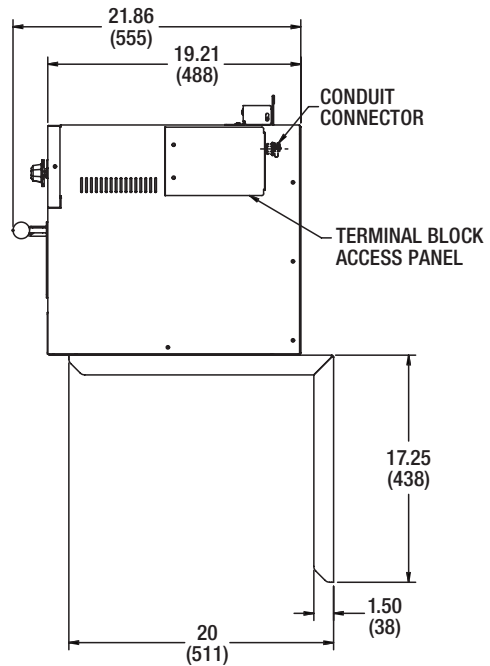
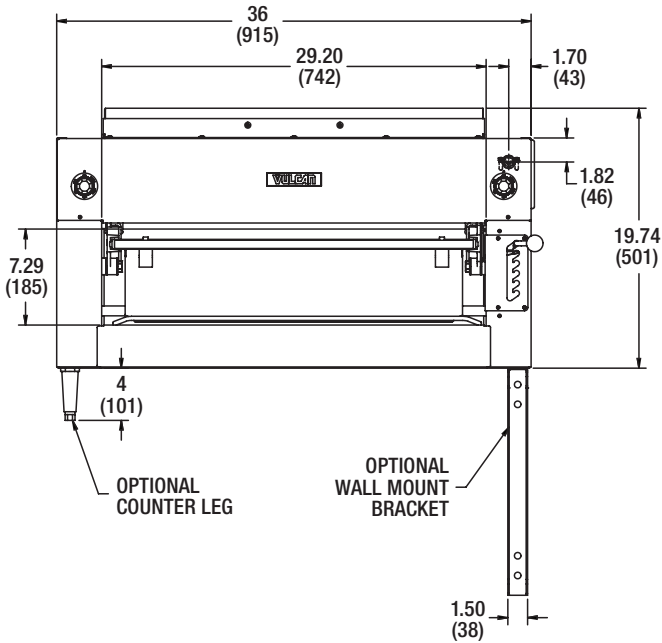
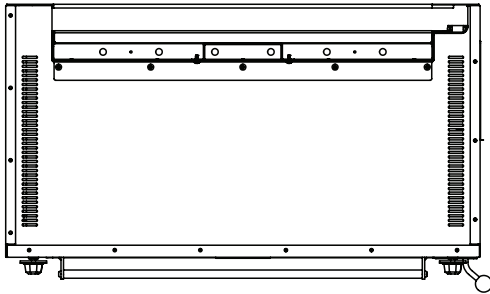
- Set of wall mount brackets.
- Set of 4" legs with adjustable feet.
- Stainless steel reinforced shelf for range mount.
- Range inter-plumb kit.
- Stainless steel back panel.
- Stainless steel bottom panel.



36" ELECTRIC SALAMANDER BROILER

INSTALLATION INSTRUCTIONS

Clearances from Combustible Construction	Rear	Sides
ESB Salamander Broiler	2"	8"



3 PHASE LOADING					NOMINAL AMPS PER LINE WIRE											
MODEL NUMBER	TOTAL CONN. KW	KW PER PHASE			3 PHASE CONNECTION									SINGLE PHASE		
					208 VOLT			240 VOLT			480 VOLT					
		X-Y	Y-Z	Z-X	X	Y	Z	X	Y	Z	X	Y	Z	208V	240V	480V
36ESB-208	4.50	2.25	2.25	0.00	9.4	18.7	9.4	0.0	0.0	0.0	0.0	0.0	0.0	21.6	0.0	0.0
36ESB-240	4.50	2.25	2.25	0.00	0.0	0.0	0.0	8.1	16.2	8.1	0.0	0.0	0.0	0.0	18.8	0.0
36ESB-480	4.50	2.25	2.25	0.00	0.0	0.0	0.0	0.0	0.0	0.0	4.1	8.1	4.1	0.0	0.0	9.4