

Surface or Pedestal Mount Viking Products While Maintaining Weather and Vandal Resistance



The **VE-Series** is a collection of surface mount boxes, panel kits, and pedestals that add versatility, as well as vandal and weather resistance to many Viking products.

The **VE-Series** surface mount boxes come in four different sizes. The **VE-3x5** surface mount box comes in a black finish and can be mounted to a wall, post, or single gang electrical box. The **VE-5x5**, **VE-6x7**, and **VE-5x10** surface mount boxes are available in an assortment of different colors, styles, and profiles and can be surface mounted to a wall, post, single or double gang electrical box, or any Viking gooseneck pedestal.



The **VE-Series** panel kits combine a surface mount box with a clear-coated blank aluminum panel. These panel kits are indicated with a "PNL" in the model number. The blank aluminum panel can be easily customized to fit a card reader, keypad, switch, etc. Each panel kit comes with a surface mount box, gasket, aluminum panel, and screws. The panel kits can be surface mounted to a wall, post, single or double gang electrical box, or any Viking gooseneck pedestal.

The **VE-Series** gooseneck pedestals are available in four different configurations and are designed to be used in conjunction with any of the **VE-5x5**, **VE-6x7**, or **VE-5x10** surface mount boxes or panel kits. Gooseneck pedestals are ideal for drive up communications or applications where there is no wall or post available to mount a product.

Features

- Add surface mounting capability, as well as weather and vandal resistance to many Viking products
- Designed to surface mount to a wall, post, single gang, or double gang electrical box*
- Models **VE-5x5**, **VE-6x7**, **VE-5x10** and all of the panel kits can be easily mounted to any of the Viking gooseneck pedestals
- The blank aluminum panels included with the **VE-Series** panel kits are tough yet easy to modify

* **Note:** The **VE-3x5** surface mount box will **not** mount to a double gang electrical box or any Viking gooseneck pedestal.

Important: Do **not** use magnets to mount a **VE-Series** surface mount box to a metal surface; it can affect the operation of the product contained.

Applications

- Drive up communication
- Commercial door security
- Business / delivery entrances
- Vehicular gates
- Parking ramps / lots
- Truck stops / fuel islands

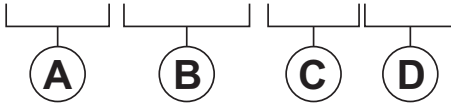
www.VikingElectronics.com
Information: 715-386-8861

Specifications

Product specifications by model number on pages 2-7.

Understanding VE-Series Model Numbers

VE-5x5-PNL-NRWH



A Size of the Surface Mount Box

- 3x5*** = Mount Viking products with a 3"x5" faceplate.
- 5x5** = Mount Viking products with a 5"x5" faceplate.
- 6x7** = Mount Viking products with a 6"x7" faceplate.
- 5x10** = Mount Viking products with a 5"x10" faceplate.

C Style of the Surface Mount Box

- NR** = Model has no rainguard / overhang.
- [blank]*** = Model comes with a built-in rainguard / overhang for extra protection.

B Panel Kit

PNL = Model is a panel kit that comes with a clear-coated blank aluminum panel that is easily customized to fit a card reader, keypad, switch, etc. Each panel kit comes with a surface mount box, gasket, aluminum panel, and screws.

[blank] = Model is a standard surface mount box.

D Color of the Surface Mount Box

- [blank]** = Black UV stable fine texture powder paint.
- RD** = Red UV stable fine texture powder paint.
- SS** = Stainless steel with #4B brushed finish.
- WH** = White UV stable fine texture powder paint.
- YL** = Yellow UV stable fine texture powder paint.

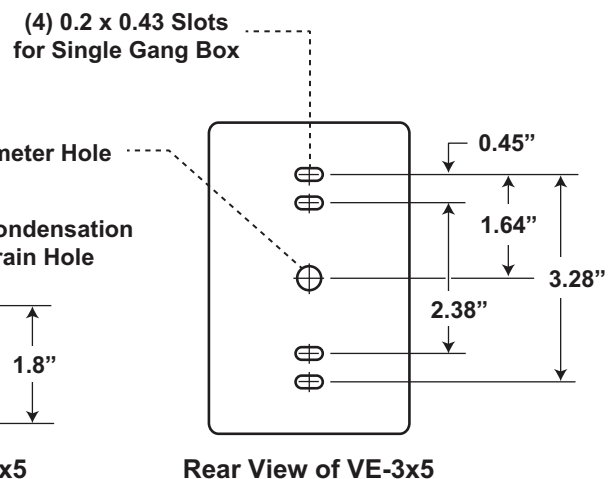
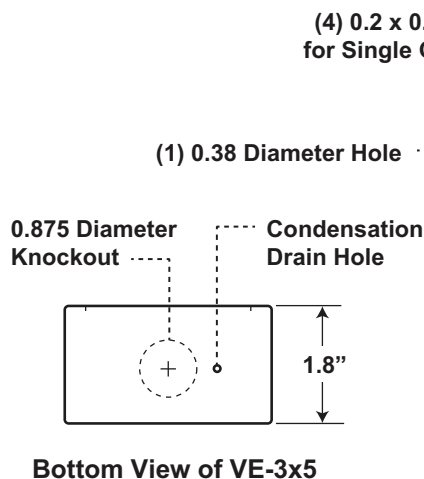
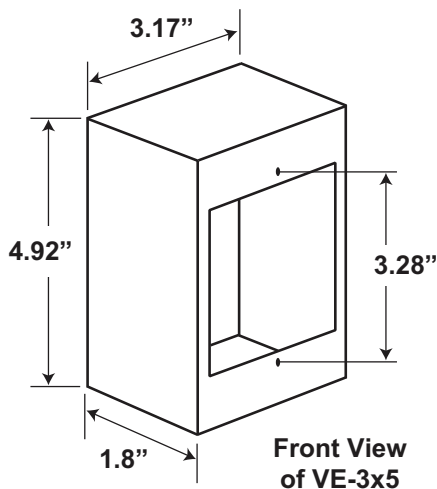
** Important: Model VE-3x5 is only available as a surface mount box, in black, with no rainguard, and will not mount to a double gang box or any Viking gooseneck pedestal.*

Installation and Specifications

A. VE-3x5 Surface Mount Box

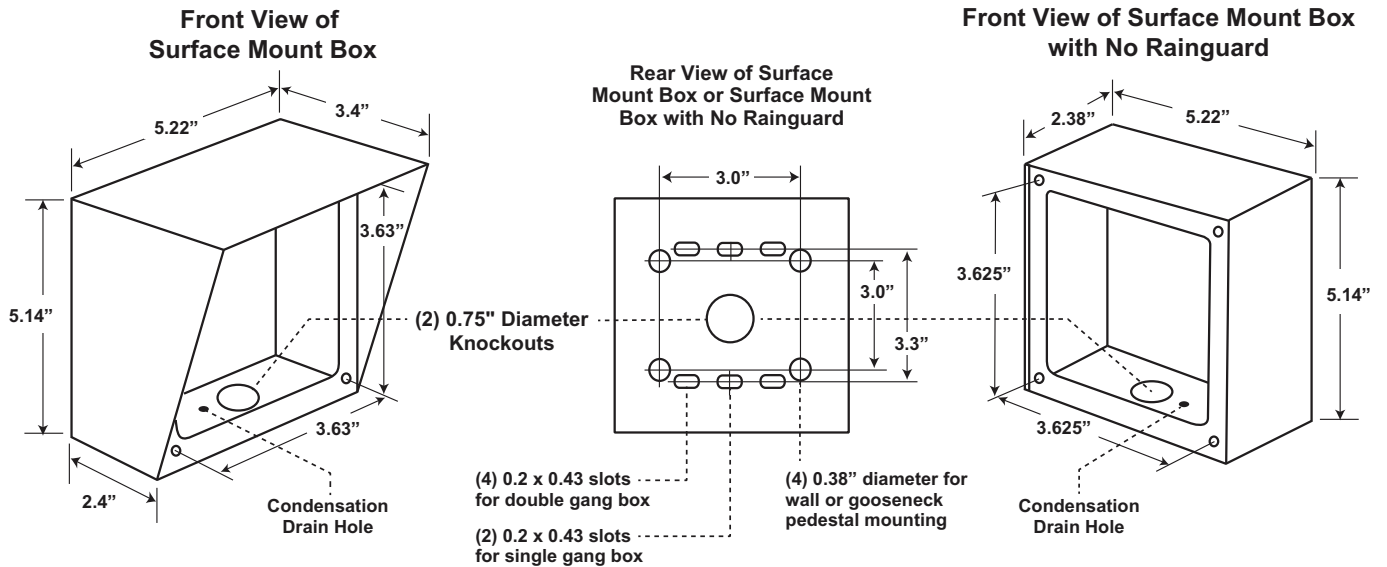
- Material:** 0.062" thick (16 gauge) CRS
- Finish:** UV stable black fine texture powder paint
- Shipping Weight:** 1.0 lb (0.45 kg)

Important: Model VE-3x5 is only available as a surface mount box, in black, with no rainguard, and will not mount to a double gang box or any Viking gooseneck pedestal.



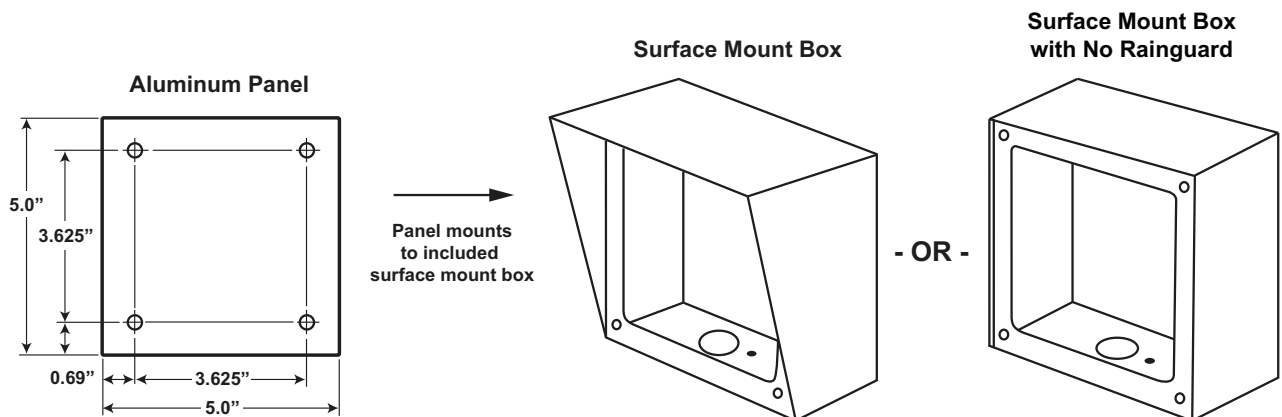
B. VE-5x5 Surface Mount Boxes

Model	Material	Finish	Shipping Weight
VE-5x5	0.062" thick (16 gauge) CRS	UV stable black fine texture powder paint	1.7 lb (0.77 kg)
VE-5x5-NR	0.062" thick (16 gauge) CRS	UV stable black fine texture powder paint	1.6 lb (0.73 kg)
VE-5x5-SS	0.060" thick (16 gauge) marine grade 316 stainless steel	#4B brushed	1.8 lb (0.82 kg)
VE-5x5-NR-SS	0.060" thick (16 gauge) marine grade 316 stainless steel	#4B brushed	1.7 lb (0.77 kg)
VE-5x5-RD	0.062" thick (16 gauge) CRS	UV stable red fine texture powder paint	1.7 lb (0.77 kg)
VE-5x5-NR-RD	0.062" thick (16 gauge) CRS	UV stable red fine texture powder paint	1.6 lb (0.73 kg)
VE-5x5-WH	0.062" thick (16 gauge) CRS	UV stable white fine texture powder paint	1.7 lb (0.77 kg)
VE-5x5-NR-WH	0.062" thick (16 gauge) CRS	UV stable white fine texture powder paint	1.6 lb (0.73 kg)
VE-5x5-YL	0.062" thick (16 gauge) CRS	UV stable yellow fine texture powder paint	1.7 lb (0.77 kg)
VE-5x5-NR-YL	0.062" thick (16 gauge) CRS	UV stable yellow fine texture powder paint	1.6 lb (0.73 kg)



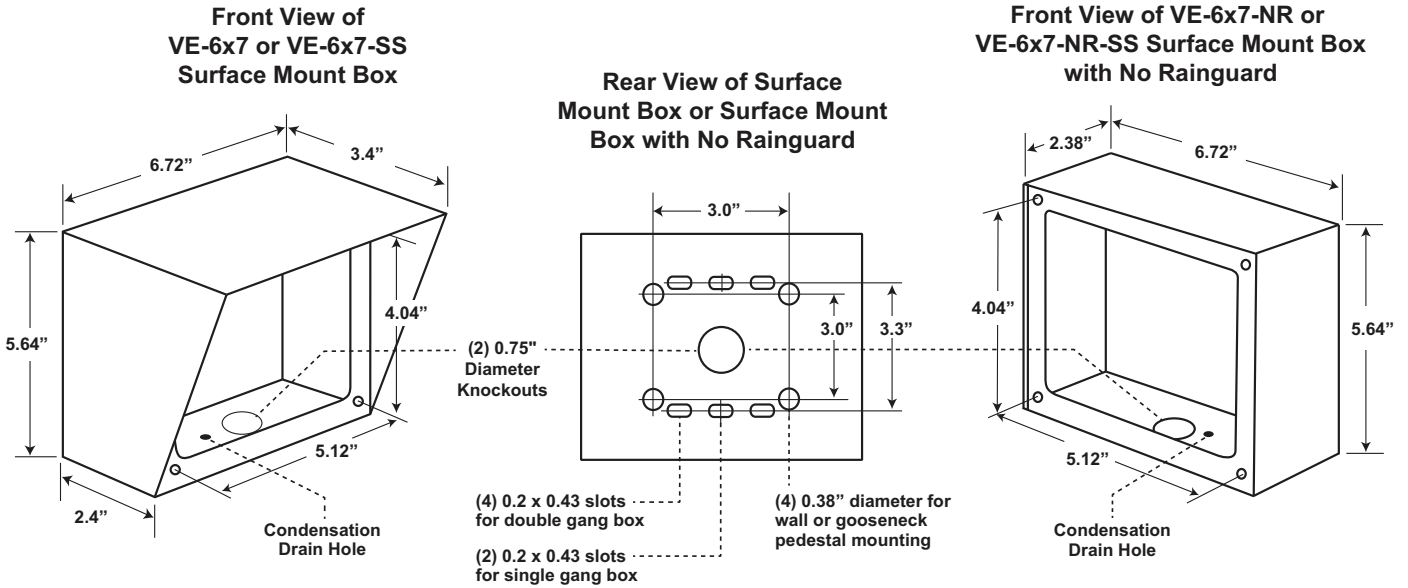
C. VE-5x5-PNL Panel Kits

Model	Included Surface Mount Box	Panel Material	Panel Finish	Shipping Weight
VE-5x5-PNL	VE-5x5	0.081" thick (12 gauge) aluminum	UV stable clear gloss powder paint	2.0 lb (0.91 kg)
VE-5x5-PNL-NR	VE-5x5-NR	0.081" thick (12 gauge) aluminum	UV stable clear gloss powder paint	1.9 lb (0.86 kg)
VE-5x5-PNL-SS	VE-5x5-SS	0.081" thick (12 gauge) aluminum	UV stable clear gloss powder paint	2.0 lb (0.91 kg)
VE-5x5-PNL-NRSS	VE-5x5-NR-SS	0.081" thick (12 gauge) aluminum	UV stable clear gloss powder paint	1.9 lb (0.86 kg)
VE-5x5-PNL-RD	VE-5x5-RD	0.081" thick (12 gauge) aluminum	UV stable clear gloss powder paint	2.0 lb (0.91 kg)
VE-5x5-PNL-NRRD	VE-5x5-NR-RD	0.081" thick (12 gauge) aluminum	UV stable clear gloss powder paint	1.9 lb (0.86 kg)
VE-5x5-PNL-WH	VE-5x5-WH	0.081" thick (12 gauge) aluminum	UV stable clear gloss powder paint	2.0 lb (0.91 kg)
VE-5x5-PNL-NRWH	VE-5x5-NR-WH	0.081" thick (12 gauge) aluminum	UV stable clear gloss powder paint	1.9 lb (0.86 kg)
VE-5x5-PNL-YL	VE-5x5-YL	0.081" thick (12 gauge) aluminum	UV stable clear gloss powder paint	2.0 lb (0.91 kg)
VE-5x5-PNL-NRYL	VE-5x5-NR-YL	0.081" thick (12 gauge) aluminum	UV stable clear gloss powder paint	1.9 lb (0.86 kg)



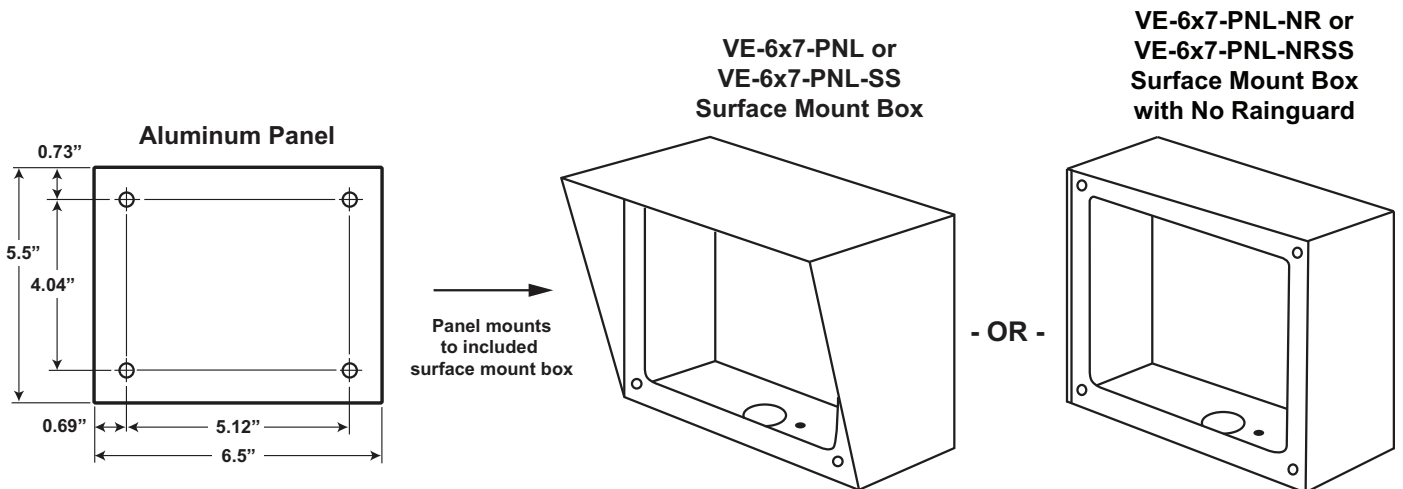
D. VE-6x7 Surface Mount Boxes

Model	Material	Finish	Shipping Weight
VE-6x7	0.062" thick (16 gauge) CRS	UV stable black fine texture powder paint	2.1 lb (0.95 kg)
VE-6x7-NR	0.062" thick (16 gauge) CRS	UV stable black fine texture powder paint	2.0 lb (0.91 kg)
VE-6x7-SS	0.060" thick (16 gauge) marine grade 316 stainless steel	#4B brushed	2.2 lb (1.0 kg)
VE-6x7-NR-SS	0.060" thick (16 gauge) marine grade 316 stainless steel	#4B brushed	2.1 lb (0.95 kg)



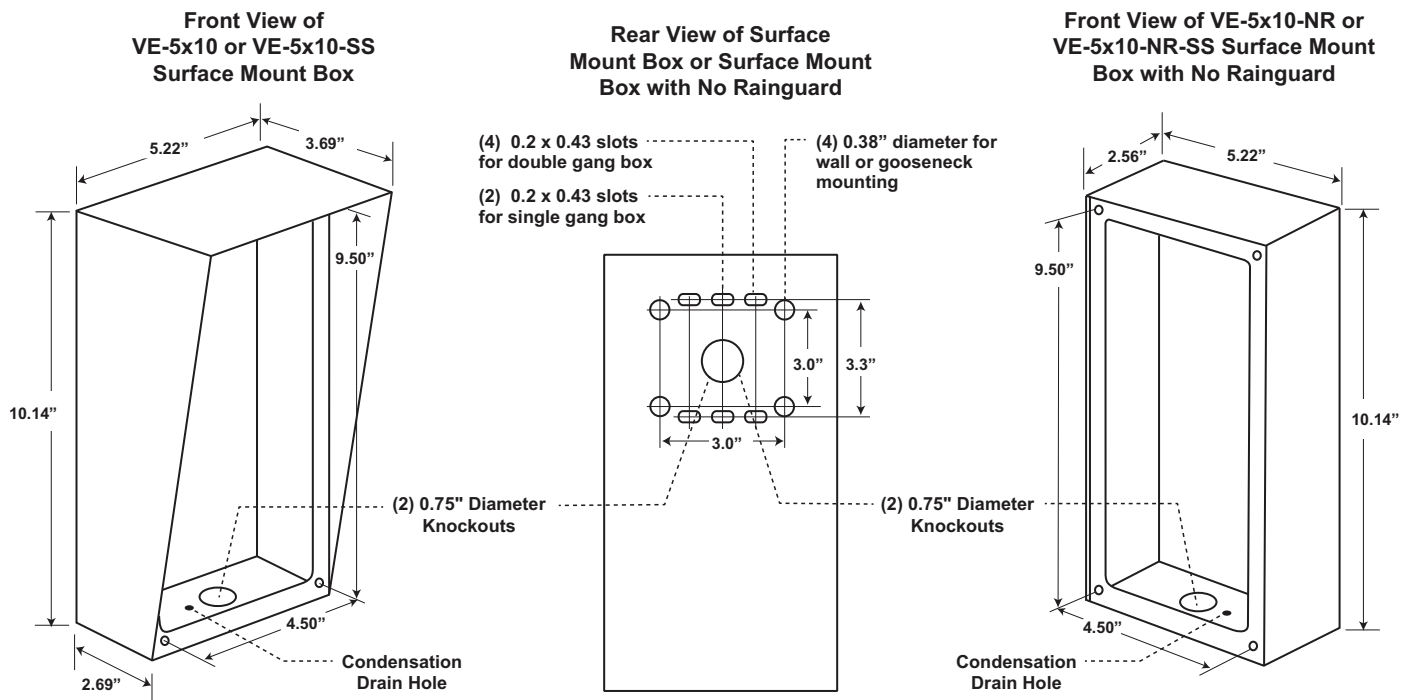
E. VE-6x7-PNL Panel Kits

Model	Included Surface Mount Box	Panel Material	Panel Finish	Shipping Weight
VE-6x7-PNL	VE-6x7	0.081" thick (12 gauge) aluminum	UV stable clear gloss powder paint	2.4 lb (1.09 kg)
VE-6x7-PNL-NR	VE-6x7-NR	0.081" thick (12 gauge) aluminum	UV stable clear gloss powder paint	2.3 lb (1.04 kg)
VE-6x7-PNL-SS	VE-6x7-SS	0.081" thick (12 gauge) aluminum	UV stable clear gloss powder paint	2.5 lb (1.13 kg)
VE-6x7-PNL-NRSS	VE-6x7-NR-SS	0.081" thick (12 gauge) aluminum	UV stable clear gloss powder paint	2.4 lb (1.09 kg)



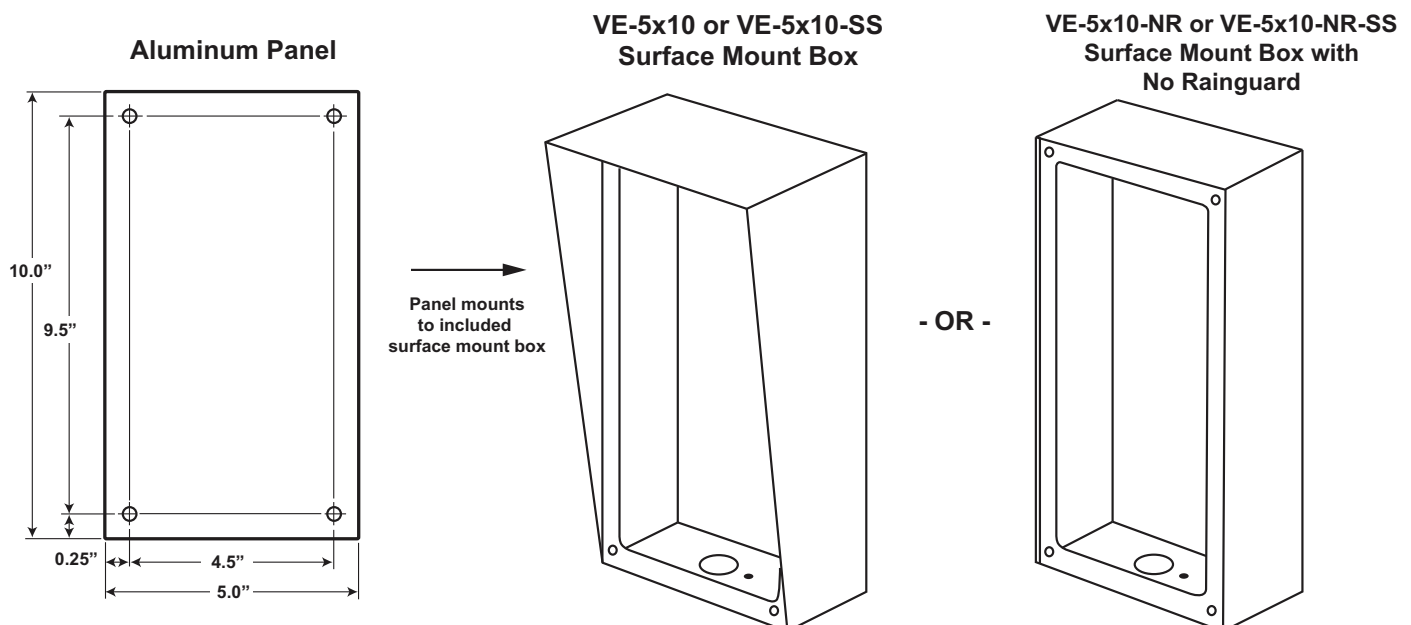
F. VE-5x10 Surface Mount Boxes

Model	Material	Finish	Shipping Weight
VE-5x10	0.062" thick (16 gauge) CRS	UV stable black fine texture powder paint	2.7 lb (1.22 kg)
VE-5x10-NR	0.062" thick (16 gauge) CRS	UV stable black fine texture powder paint	2.6 lb (1.18 kg)
VE-5x10-SS	0.060" thick (16 gauge) marine grade 316 stainless steel	#4B brushed	2.9 lb (1.32 kg)
VE-5x10-NR-SS	0.060" thick (16 gauge) marine grade 316 stainless steel	#4B brushed	2.8 lb (1.27 kg)



G. VE-5x10-PNL Panel Kits

Model	Included Surface Mount Box	Panel Material	Panel Finish	Shipping Weight
VE-5x10-PNL	VE-5x10	0.081" thick (12 gauge) aluminum	UV stable clear gloss powder paint	3.1 lb (1.41 kg)
VE-5x10-PNL-NR	VE-5x10-NR	0.081" thick (12 gauge) aluminum	UV stable clear gloss powder paint	3.0 lb (1.36 kg)
VE-5x10-PNL-SS	VE-5x10-SS	0.081" thick (12 gauge) aluminum	UV stable clear gloss powder paint	3.3 lb (1.36 kg)
VE-5x10-PNL-NRSS	VE-5x10-NR-SS	0.081" thick (12 gauge) aluminum	UV stable clear gloss powder paint	3.2 lb (1.45 kg)



H. VE-GNP Gooseneck Pedestal

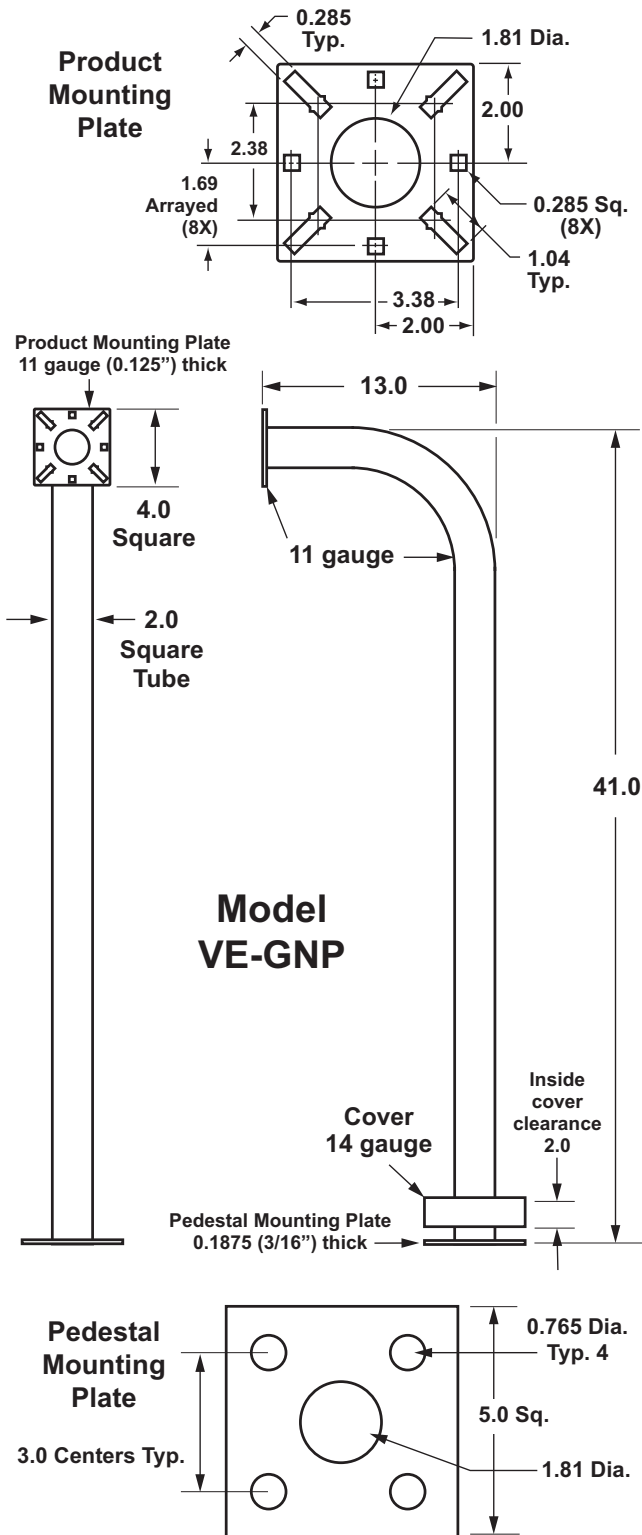
Description: 42" tall, pad mount, steel gooseneck pedestal. Universal car height for most applications.

Material: CRS (see gauges below)

Finish: UV stable black wrinkle powder paint

Shipping Weight: 17.9 lbs (8.12 kg)

Note: Adhere included gasket to back of **VE-Series** backbox then fasten backbox to pedestal.



I. VE-GNP-SS Gooseneck Pedestal

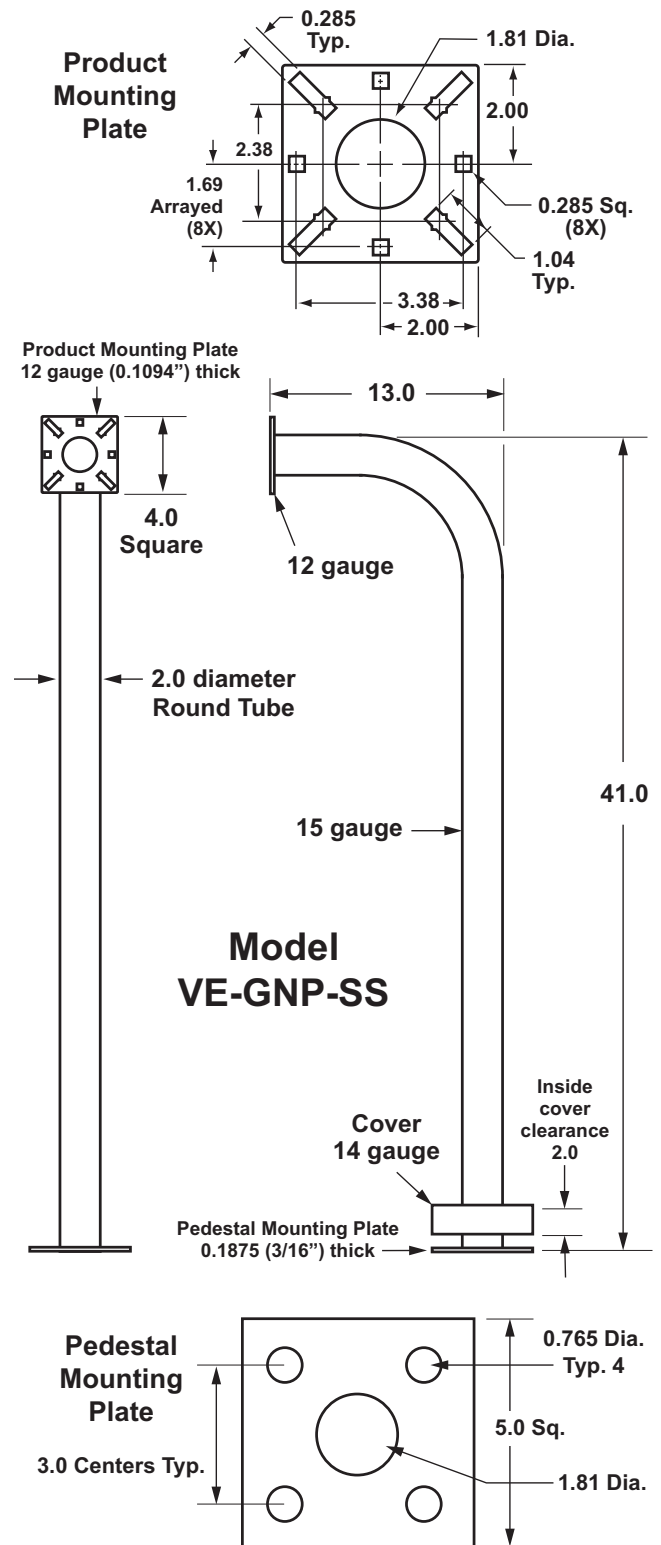
Description: 42" tall, pad mount, stainless steel gooseneck pedestal. Universal car height for most applications.

Material: 304 Stainless Steel (see gauges below)

Finish: #4B Brushed

Shipping Weight: 9.9 lbs (4.49 kg)

Note: Adhere included gasket to back of **VE-Series** backbox then fasten backbox to pedestal.



J. VE-GNP-IG Gooseneck Pedestal

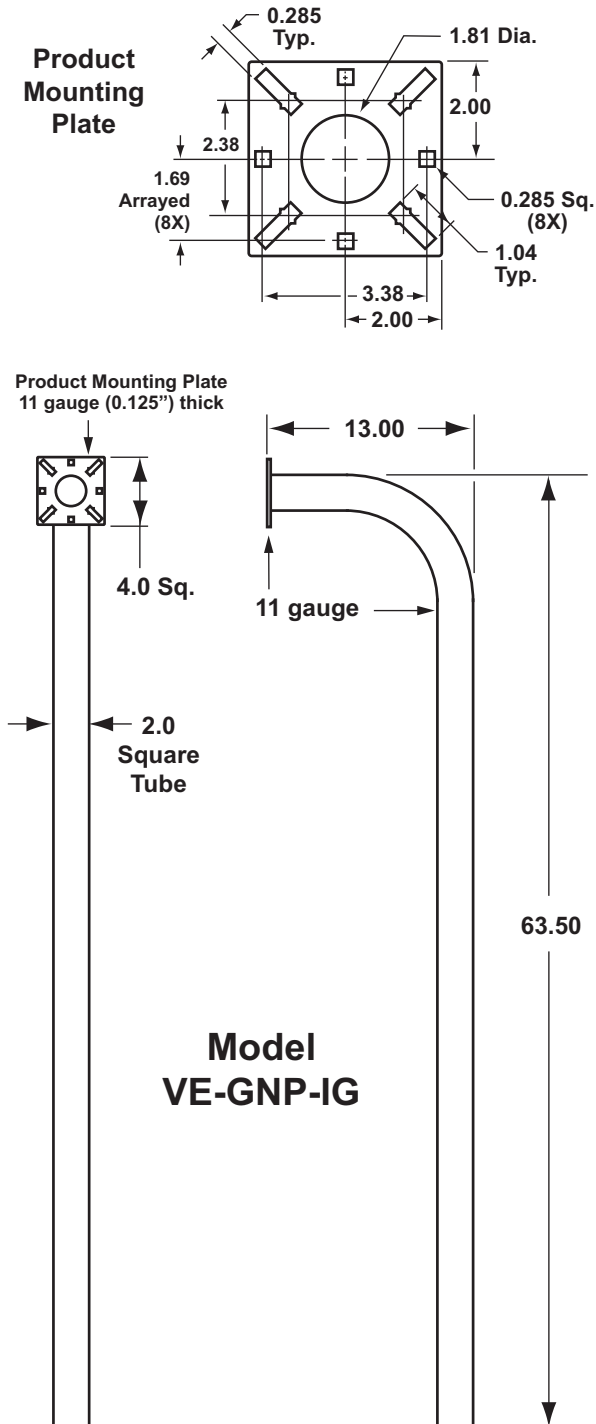
Description: 64" tall, in-ground/wet cement mount, steel gooseneck pedestal. Insert bottom approximately 22" into ground/cement for 42" tall pedestal (universal car height for most applications).

Material: CRS (11 gauge)

Finish: UV stable black wrinkle powder paint

Shipping Weight: 20.6 lbs (9.344 kg)

Note: Adhere included gasket to back of **VE-Series** backbox then fasten backbox to pedestal.



K. VE-GNP-2 Gooseneck Pedestal

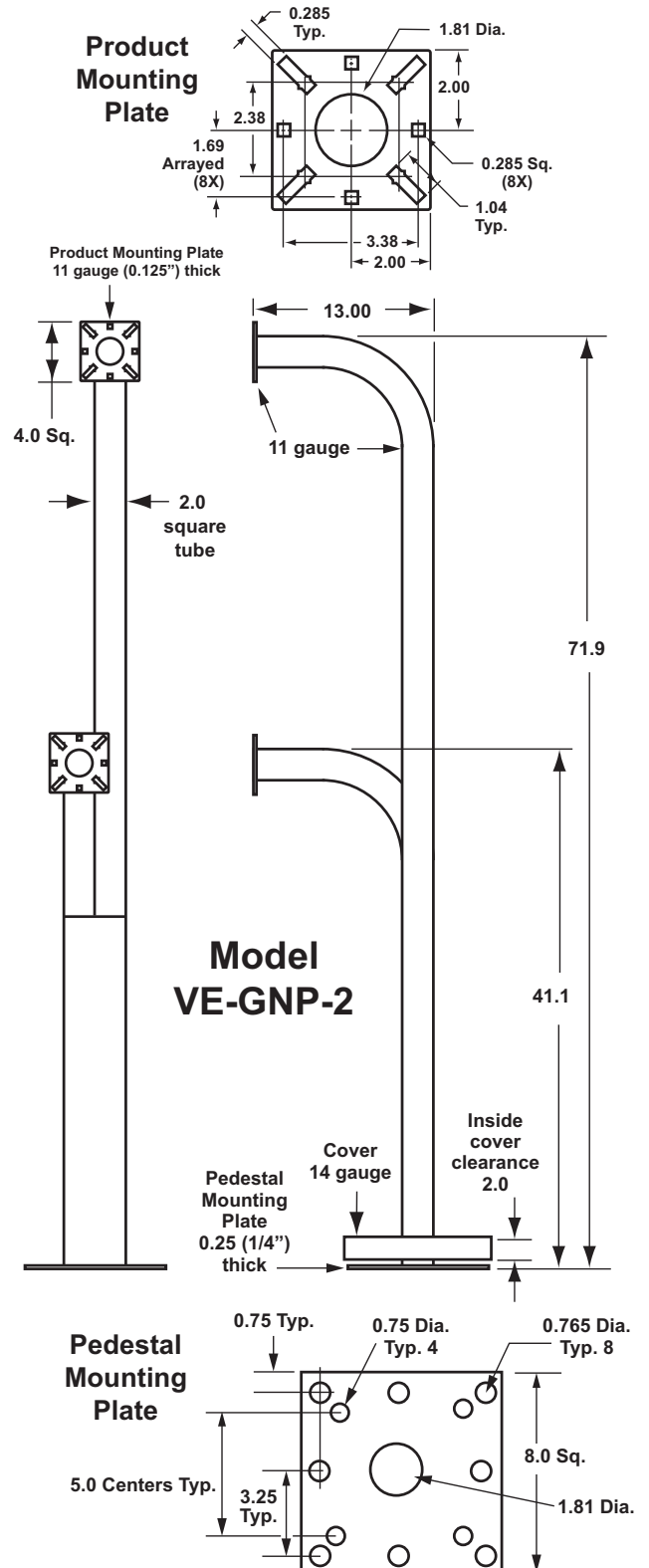
Description: 42"/72" tall, dual-height, pad mount, steel gooseneck pedestal. Ideal for both car and truck applications.

Material: CRS (see gauges below)

Finish: UV stable black wrinkle powder paint

Shipping Weight: 44.7 lbs (20.28 kg)

Note: Adhere included gasket to back of **VE-Series** backbox then fasten backbox to pedestal.



Warranty

IF YOU HAVE A PROBLEM WITH A VIKING PRODUCT, CONTACT VIKING TECHNICAL SUPPORT: 715-386-8666

Our Technical Support Department is available for assistance Monday through Friday 8:00am to 5:00pm central time. Before you call, please:

1. Know the model number, the serial number and what software version you have (see serial label).
2. Have the Product Manual in front of you.
3. It is best if you are on site.

RETURNING PRODUCT FOR REPAIR

The following procedure is for equipment that needs repair:

1. Customer must contact Viking's Technical Support Department at 715-386-8666 to obtain a Return Authorization (RA) number. The customer MUST have a complete description of the problem, with all pertinent information regarding the defect, such as options set, conditions, symptoms, methods to duplicate problem, frequency of failure, etc.
2. Packing: Return equipment in original box or in proper packing so that damage will not occur while in transit. The original product boxes are not designed for shipping - an overpack box is required to prevent damage in transit. Static sensitive equipment such as a circuit board should be in an anti-static bag, sandwiched between foam and individually boxed. All equipment should be wrapped to avoid packing material lodging in or sticking to the equipment. Include ALL parts of the equipment. C.O.D. or freight collect shipments cannot be accepted. Ship cartons prepaid to: **VIKING ELECTRONICS
1531 INDUSTRIAL STREET
HUDSON, WI 54016**
3. Return shipping address: Be sure to include your return shipping address inside the box. We cannot ship to a PO Box.
4. RA number on carton: In large printing, write the RA number on the outside of each carton being returned.

RETURNING PRODUCT FOR EXCHANGE

The following procedure is for equipment that has failed out-of-box (within 10 days of purchase):

1. Customer must contact Viking's Technical Support at 715-386-8666 to determine possible causes for the problem. The customer MUST be able to step through recommended tests for diagnosis.
2. If the Technical Support Product Specialist determines that the equipment is defective based on the customer's input and troubleshooting, a Return Authorization (RA) number will be issued. This number is valid for fourteen (14) calendar days from the date of issue.
3. After obtaining the RA number, return the approved equipment to your distributor. Please reference the RA number on the paperwork being shipped back with the unit(s), and also the outside of the shipping box. The original product boxes are not designed for shipping - an overpack box is required to prevent damage in transit. Once your distributor receives the package, they will replace the product over the counter at no charge. The distributor will then return the product to Viking using the same RA number.
4. **The distributor will NOT exchange this product without first obtaining the RA number from you. If you haven't followed the steps listed in 1, 2 and 3, be aware that you will have to pay a restocking charge.**

TWO YEAR LIMITED WARRANTY

Viking warrants its products to be free from defects in the workmanship or materials, under normal use and service, for a period of two years from the date of purchase from any authorized Viking distributor. If at any time during the warranty period, the product is deemed defective or malfunctions, return the product to Viking Electronics, Inc., 1531 Industrial Street, Hudson, WI., 54016. Customer must contact Viking's Technical Support Department at 715-386-8666 to obtain a Return Authorization (R.A.) number.

This warranty does not cover any damage to the product due to lightning, over voltage, under voltage, accident, misuse, abuse, negligence or any damage caused by use of the product by the purchaser or others. This warranty does not cover non-EWP products that have been exposed to wet or corrosive environments. This warranty does not cover stainless steel surfaces that have not been properly maintained.

NO OTHER WARRANTIES. VIKING MAKES NO WARRANTIES RELATING TO ITS PRODUCTS OTHER THAN AS DESCRIBED ABOVE AND DISCLAIMS ANY EXPRESS OR IMPLIED WARRANTIES OR MERCHANTABILITY OR FITNESS FOR ANY PARTICULAR PURPOSE.

EXCLUSION OF CONSEQUENTIAL DAMAGES. VIKING SHALL NOT, UNDER ANY CIRCUMSTANCES, BE LIABLE TO PURCHASER, OR ANY OTHER PARTY, FOR CONSEQUENTIAL, INCIDENTAL, SPECIAL OR EXEMPLARY DAMAGES ARISING OUT OF OR RELATED TO THE SALE OR USE OF THE PRODUCT SOLD HEREUNDER.

EXCLUSIVE REMEDY AND LIMITATION OF LIABILITY. WHETHER IN AN ACTION BASED ON CONTRACT, TORT (INCLUDING NEGLIGENCE OR STRICT LIABILITY) OR ANY OTHER LEGAL THEORY, ANY LIABILITY OF VIKING SHALL BE LIMITED TO REPAIR OR REPLACEMENT OF THE PRODUCT, OR AT VIKING'S OPTION, REFUND OF THE PURCHASE PRICE AS THE EXCLUSIVE REMEDY AND ANY LIABILITY OF VIKING SHALL BE SO LIMITED.

IT IS EXPRESSLY UNDERSTOOD AND AGREED THAT EACH AND EVERY PROVISION OF THIS AGREEMENT WHICH PROVIDES FOR DISCLAIMER OF WARRANTIES, EXCLUSION OF CONSEQUENTIAL DAMAGES, AND EXCLUSIVE REMEDY AND LIMITATION OF LIABILITY, ARE SEVERABLE FROM ANY OTHER PROVISION AND EACH PROVISION IS A SEPARABLE AND INDEPENDENT ELEMENT OF RISK ALLOCATION AND IS INTENDED TO BE ENFORCED AS SUCH.

Product Support: 715-386-8666

Due to the dynamic nature of the product design, the information contained in this document is subject to change without notice. Viking Electronics, and its affiliates and/or subsidiaries assume no responsibility for errors and omissions contained in this information. Revisions of this document or new editions of it may be issued to incorporate such changes.