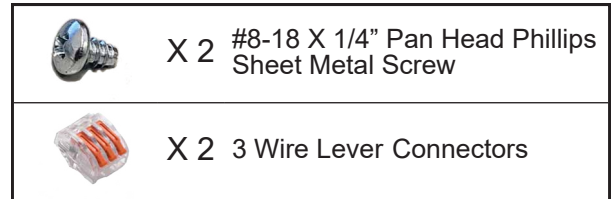
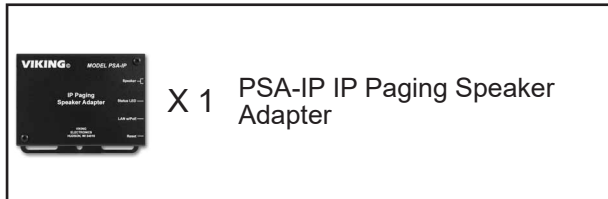


⚠ See Product Manual for complete installation and programming instructions.

1.0 Out-of-Box

1.1 Verify that you have received all of the parts listed



1.2 Download the product manual

Scan the QR code to open and download the product manual

- OR -



1. Go to www.vikingelectronics.com and enter **PSA-IP** in the search box
2. Click **PSA-IP** in the search results
3. Click **Product Manual** to open and download the PDF

1.3 Download and install the programming software

1. Go to www.vikingelectronics.com and enter **PSA-IP** in the search box
2. Click **PSA-IP** in the search results
3. Scroll down the page to Downloads, click **IP Programming Software**
4. Install the programming software by saving or opening the file and then clicking on **setup Viking IP Programming.exe**
5. Follow the prompts on your screen to complete software installation

2.0 Power Source

Select **PoE Switch** or **PoE Injector** that meets the following requirements:

1. IEEE 802.3af / 802.3at / 802.3bt compliant
2. Capable of providing at least 13 Watts (class 0 or class 3)

Note: CAT5e (or higher) cable recommended

3.0 Network Port Settings

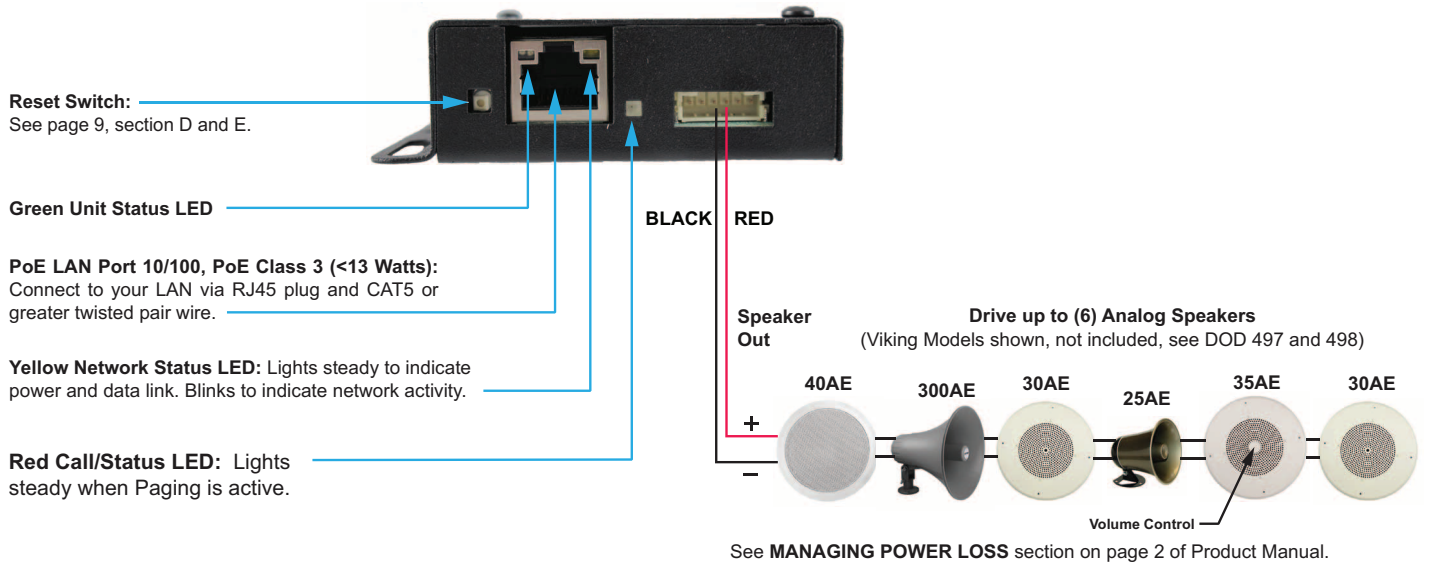
- Make sure the port is not in trunk mode
- Make sure port is capable of 100mbps full-duplex
- If Spanning Tree Protocol (STP) is enabled, enable Portfast and BPDU Guard Globally

4.0 Features Overview

Front View



Side View



MAC Address Label: The MAC address is a unique 12 digit number used by routers to send network traffic to the correct IP address.



See the Product Manual for complete installation and programming instructions.
Questions? Call Viking Product Support: 715-386-8666

Due to the dynamic nature of the product design, the information contained in this document is subject to change without notice. Viking Electronics, and its affiliates and/or subsidiaries assume no responsibility for errors and omissions contained in this information. Revisions of this document or new editions of it may be issued to incorporate such changes.