

VIKING PRODUCT MANUAL

COMMUNICATION & SECURITY SOLUTIONS

High Performance 125KHz Proximity Card Reader with up to 16 inches* of Read Range and Optional Gooseneck Pedestal Mounting Kits

The model **PRX-3** is a high performance medium range 125KHz proximity card reader. The **PRX-3**'s compact size yet long read range of up to 16 inches* make it ideal for parking control, gate access, turnstiles, etc. It is designed to be mounted directly to a wall, post, single gang electrical box or use an optional mounting kit (see models below) for attaching it to a gooseneck pedestal. Mounting is simplified with horizontal and vertical mounting slots, which allow the reader to be conveniently adjusted and leveled. To increase vandal resistance the chassis is a single piece design with the mounting screws concealed behind a UV stable label.

The proximity card reader transmits data in 26-Bit Wiegand format, making it compatible with any of the Wiegand equipped Viking entry controllers. The **PRX-3** is equipped with Enhanced Weather



Protection (EWP) for outdoor installations where the unit is exposed to precipitation or condensation. With its sealed connections and fully potted electronics the **PRX-3** is designed to meet an IP66 Ingress Protection Rating. For more information on EWP, see DOD# 859.

Features

- Read range of up to 16 inches*
- Standard 26-bit Wiegand interface
- Technologies supported: Viking **PRX-C**, **PRX-C-ISO**, **PRX-FOB**, **LRT-4**, and certain legacy HID® proximity protocols** and certain AWID 125KHz proximity protocols***
- Surface mounts to non-metallic wall, post or single gang electrical box.
- Mounts to Viking **VE-GNP** Series gooseneck pedestal's with optional **PRX-3-MK-GNP** or **PRX-3-MK-VEGNP** mounting kits
- Designed for outdoor use, the **PRX-3** comes standard with Enhanced Weather Protection (EWP) (see **DOD# 859** for more information)
- **PRX-3** is designed to meet IP66 Ingress Protection Rating (see **DOD# 859**)
- Pigtail connection for easy installation
- Four red LED's indicates power and flashes off during card read
- Transducer provides beep during card read

* **Note:** Read range tested with Viking **PRX-C** and unit mounted on a non-metallic surface.

• CE marked

** **HID** and the **HID** logo are registered trademarks of **HID Global Corporation**, an **ASSA ABLOY** company. All other trademarks are the property of their respective owners.

*** **AWID** is a trademark of **Applied Wireless Identification Group**.

Applications

- Parking control, gate access, turnstiles, etc.
- Compatible with these Viking products:

Model	Description	DOD#
AES-2000	Accessible Entry System	202
AES-2005	Accessible Video Entry System	204
C-4000	Apartment/Office Entry Controller	164
ES-1	Stand Alone Keyless Entry System	193
ES-3	AES-2000 Entry Point	195
LRT-4	Long Range Transmitter with Proximity Module	226
PRX-C	Proximity Card	198
PRX-C-ISO	Thin Proximity Card	198
PRX-FOB	Proximity Key Fob	198
VE-GNP Series	Gooseneck Pedestals when used with the PRX-3-MK-VEGNP or PRX-3-MK-GNP mounting kits	424

Specifications

Power: 5-16 DC (12V nominal), 300mA - average, 500mA - peak. 120V AC/12V DC 500mA, UL listed adapter provided.

Dimensions: 8.5" x 6.0" x 1.0" (216mm x 152mm x 25mm)

Shipping Weight: 2.3 lb (1.0 kg)

Environmental: -40° F to 150° F (-40° C to 65° C) with up to 100% humidity

Connections: 18" long pigtail leads, 24 gauge

Technologies Supported: Viking **PRX-C**, **PRX-C-ISO**, **PRX-FOB**, **LRT-4**, certain legacy HID® proximity protocols** and certain AWID 125KHz proximity protocols***

www.vikingelectronics.com
Information: (715) 386-8861

Requirements

Cable Requirements: The PRX-3 can operate at up to *800 feet (244 m) of cable, using seven-conductor, shielded, stranded cable. Per the Security Industry Association's Wiegand specification, AWG 24 (such as Belden 9537) is the minimum gauge required for data transfer in a 500-foot run length. However, the proper wire gauge to use must be determined by the current draw requirements of the reader, the length of the cable run, and the voltage applied to the reader. If the reader is to be operated at 5 VDC, 5 VDC must be available at the reader (long cable runs have a voltage drop due to the resistance in the cable). A larger gauge of wire (having less resistance) or a separate power supply near the reader may be required to ensure 5 VDC is available at the reader.

Output Formats:

- Wiegand (industry standard 26-bit Wiegand)
- Magnetic Stripe (ABA Track II, clock and data, with card present)

Grounding: Shield (drain) continuity must run from the reader to the access panel. Shield (drain) and reader ground must be tied together at the access panel and connect to an earth ground at one point.

Power: The PRX-3 may be powered by the access panel. As such, the reader is powered on when the access panel is powered on. However the best case is to power the reader by a separate, linear power supply. A 12V DC 500mA power adapter is supplied with the PRX-3.

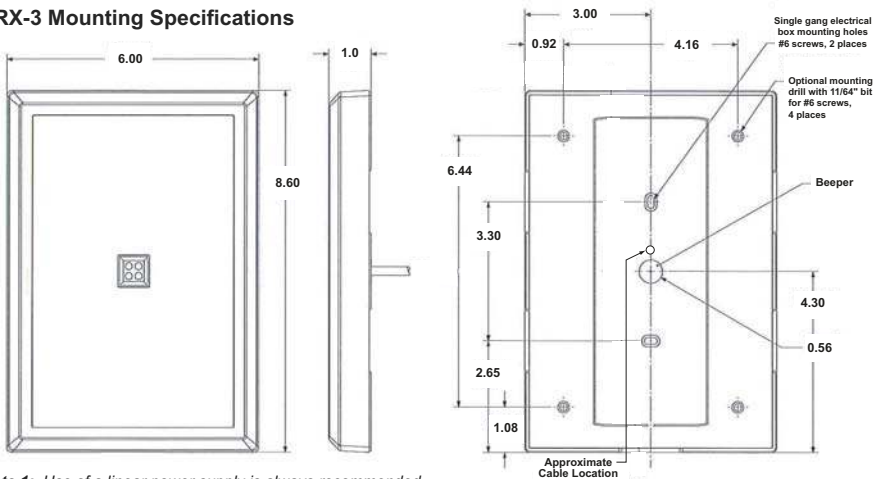
Voltage: 5 to 16 VDC **Note:** For maximum read range, a minimum of 12VDC is recommended.

FleaPower™ Control Line: The PRX-3 can be placed in a special lower power mode by pulling the purple colored fleaPower Control Line low. This special low power mode reduces the average power required by the reader.

* **Note:** When used with a Viking Entry System/Controller, see the Entry System's Technical Practice for the maximum wire run length.

Installation

A. PRX-3 Mounting Specifications



Note 1: Use of a linear power supply is always recommended.

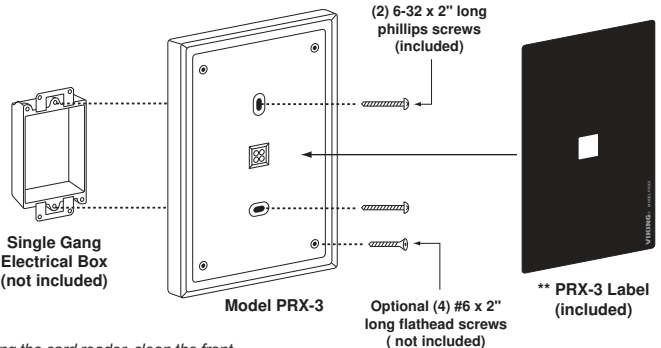
Note 2: Read range is stated in a clean RF and electrical environment using Viking Proximity Cards presented parallel to the reader surface with the reader operating at 12 VDC. Additionally, read range may be affected by local installation conditions. Range will be less when mounted to metal.

Note 3: Minimum current draw is obtained by operating the reader in the fleaPower mode at 5 VDC with the LED off. Peak current draw occurs when reading a card or tag.

B. Surface Mounting the PRX-3

The PRX-3 can be surface mounted to a non-metallic* wall or post. The unit can be fastened with two screws (provided) to a single gang electrical box or directly to a wall or post. For additional mounting strength, the four holes in the outer corners of the PRX-3 can be drilled out with an 11/64" drill bit and fastened with four #6 flat head screws.

* **Note:** The PRX-3 can be mounted to a metallic surface but the proximity card read range will be dropped to approximately 1/2 its normal distance.

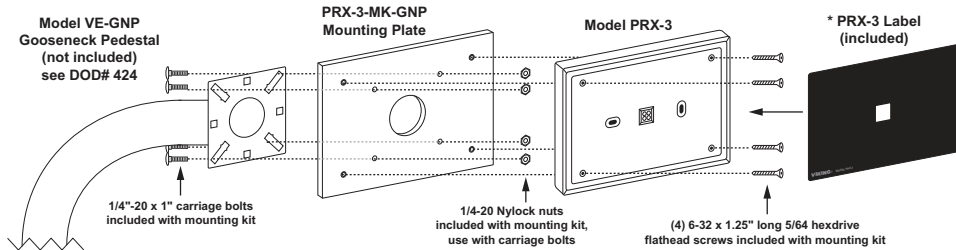


** **Important:** After mounting and testing the card reader, clean the front recessed area of the unit with rubbing alcohol and apply the provided label. Please note, the label is permanent and not easily removed.

C. Mounting the PRX-3 to a Gooseneck Pedestal Using the PRX-3-MK-GNP Mounting Kit

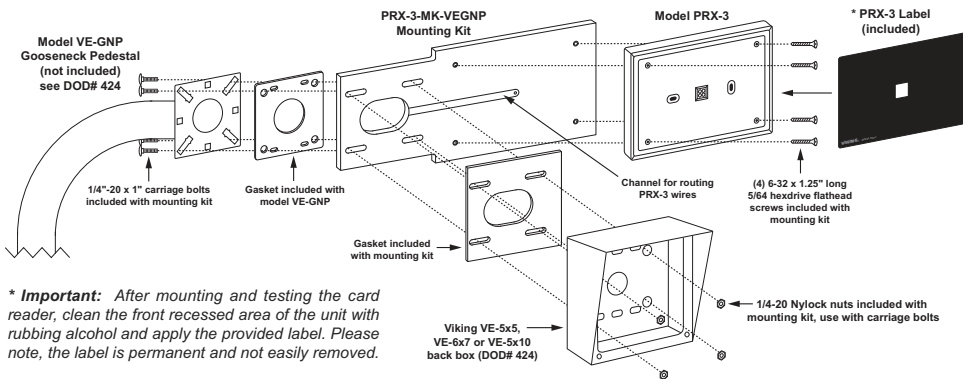
Drill out the four holes in the outer corners of the **PRX-3** with an 11/64" drill bit. Attach the **PRX-3-MK-GNP** mounting plate to the Gooseneck pedestal with the four provided carriage bolts. Wire as shown in section E then fasten the unit to the mounting plate with the 6-32 x 1.25" long flathead screws provided with the **PRX-3-MK-GNP** mounting kit.

*** Important:** After mounting and testing the card reader, clean the front recessed area of the unit with rubbing alcohol and apply the provided label. Please note, the label is permanent and not easily removed.



D. Mounting the PRX-3 and a Viking Entry Phone to a Gooseneck Pedestal Using the PRX-3-MK-VEGNP Mounting Kit

Drill out the four holes in the outer corners of the **PRX-3** with an 11/64" drill bit. Adhere the gasket provided with the Viking gooseneck pedestal, centering on the **VE-GNP** mounting plate. Fasten the **PRX-3** to the mounting plate with the 6-32 x 1.25" long flathead screws provided with the **PRX-3-MK-GNP** mounting kit. The **PRX-3-MK-VEGNP** mounting plate can be mounted horizontally or vertically to allow the **PRX-3** to be positioned on the left, right, top or bottom of the entry phone with a **VE-5x5** or **VE-6x7** surface mount box. The plate can only be mounted on the left, right or top when using a **VE-5x10** surface mount box. Attach the **PRX-3-MK-VEGNP** mounting plate and the **VE-Series (VE-5x5, VE-6x7 or VE-5x10)** back box to the gooseneck pedestal with the four provided carriage bolts. Wire as shown in Wiring section. See the entry phone's manual for wiring and mounting instructions.

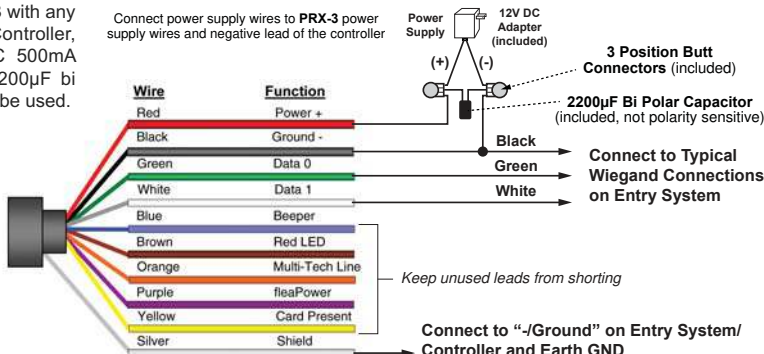


*** Important:** After mounting and testing the card reader, clean the front recessed area of the unit with rubbing alcohol and apply the provided label. Please note, the label is permanent and not easily removed.

Wiring

When using the **PRX-3** with any Viking Entry System/Controller, the provided 12V DC 500mA power adapter and 2200µF bi polar capacitor should be used.

Connect power supply wires to **PRX-3** power supply wires and negative lead of the controller



IMPORTANT: Electronic devices are susceptible to lightning and power station electrical surges from both the AC outlet and the telephone line. It is recommended that a surge protector be installed to protect against such surges.

Connect to "-/Ground" on Entry System/ Controller and Earth GND

Note: See "Cable Requirements" on page 2.

Troubleshooting

1. When the reader is powered up the LED's will momentarily light amber, a victory beep (4-quick beeps) is heard and then the LED's will light Red.
2. Present the correct card and the reader will beep once and LED's will momentarily turn off. It is up to the control panel to control dual LED and have the LED turn green when an enrolled card is presented.
3. If reader does not recognize the card/tag (no beep, no LED flash) or reader has short read range, please see table below for possible causes and solutions:

Possible Cause	Corrective Action
Incorrect wiring	Verify wiring connection
Not enough power	12 VDC suggested
Mounted near electromagnetic interference	Relocate or provide greater separation from
Incorrect card used	Verify card compatibility from model number
Reader/access panel not properly grounded	Quality Earth Ground needed. Verify shield line from the access panel to the reader is one continuous, connected line.
Supply generating electromagnetic interference	Linear power supply recommended
Separate supply - no reference for data	Connect BLACK from reader to BLACK of control system

If any of the corrective actions mentioned above don't work, please disconnect the reader from panel and power it with a separate power supply or 9V battery and test card functionality. By powering it individually and off the installation most variables that can cause malfunction are eliminated. If after the reader is powered by a separate power source the failure persist, please contact Viking Electronics Product Support.

Warranty

IF YOU HAVE A PROBLEM WITH A VIKING PRODUCT, CONTACT: VIKING TECHNICAL SUPPORT AT (715) 386-8666

Our Technical Support Department is available for assistance Monday through Friday 8am - 5pm central time. So that we can give you better service, before you call please:

1. Know the model number, the serial number and what software version you have (see serial label).
2. Have your Product Manual in front of you.
3. It is best if you are on site.

RETURNING PRODUCT FOR REPAIR

The following procedure is for equipment that needs repair:

1. Customer must contact Viking's Technical Support Department at 715-386-8666 to obtain a Return Authorization (RA) number. The customer MUST have a complete description of the problem, with all pertinent information regarding the defect, such as options set, conditions, symptoms, methods to duplicate problem, frequency of failure, etc.
2. Packing: Return equipment in original box or in proper packing so that damage will not occur while in transit. Static sensitive equipment such as a circuit board should be in an anti-static bag, sandwiched between foam and individually boxed. All equipment should be wrapped to avoid packing material lodging in or sticking to the equipment. Include ALL parts of the equipment. C.O.D. or freight collect shipments cannot be accepted. Ship cartons prepaid to: **Viking Electronics, 1531 Industrial Street, Hudson, WI 54016**
3. Return shipping address: Be sure to include your return shipping address inside the box. We cannot ship to a PO Box.
4. RA number on carton: In large printing, write the R.A. number on the outside of each carton being returned.

RETURNING PRODUCT FOR EXCHANGE

The following procedure is for equipment that has failed out-of-box (within 10 days of purchase):

1. Customer must contact Viking's Technical Support at 715-386-8666 to determine possible causes for the problem. The customer MUST be able to step through recommended tests for diagnosis.
2. If the Technical Support Product Specialist determines that the equipment is defective based on the customer's input and troubleshooting, a Return Authorization (R.A.) number will be issued. This number is valid for fourteen (14) calendar days from the date of issue.
3. After obtaining the R.A. number, return the approved equipment to your distributor, referencing the R.A. number. Your distributor will then replace the product over Viking using the same R.A. number.
4. **The distributor will NOT exchange this product without first obtaining the R.A. number from you. If you haven't followed the steps listed in 1, 2 and 3, be aware that you will have to pay a restocking charge.**

TWO YEAR LIMITED WARRANTY

Viking warrants its products to be free from defects in the workmanship or materials, under normal use and service, for a period of two years from the date of purchase from any authorized Viking distributor. If at any time during the warranty period, the product is deemed defective or malfunctions, return the product to Viking Electronics, Inc., 1531 Industrial Street, Hudson, WI., 54016. Customer must contact Viking's Technical Support Department at 715-386-8666 to obtain a Return Authorization (R.A.) number.

This warranty does not cover any damage to the product due to lightning, over voltage, under voltage, accident, misuse, abuse, negligence or any damage caused by use of the product by the purchaser or others. This warranty does not cover non-EWP products that have been exposed to wet or corrosive environments. This warranty does not cover stainless steel surfaces that have not been properly maintained.

NO OTHER WARRANTIES. VIKING MAKES NO WARRANTIES RELATING TO ITS PRODUCTS OTHER THAN AS DESCRIBED ABOVE AND DISCLAIMS ANY EXPRESS OR IMPLIED WARRANTIES OR MERCHANTABILITY OR FITNESS FOR ANY PARTICULAR PURPOSE.

EXCLUSION OF CONSEQUENTIAL DAMAGES. VIKING SHALL NOT, UNDER ANY CIRCUMSTANCES, BE LIABLE TO PURCHASER, OR ANY OTHER PARTY, FOR CONSEQUENTIAL, INCIDENTAL, SPECIAL OR EXEMPLARY DAMAGES ARISING OUT OF OR RELATED TO THE SALE OR USE OF THE PRODUCT SOLD HEREUNDER.

EXCLUSIVE REMEDY AND LIMITATION OF LIABILITY. WHETHER IN AN ACTION BASED ON CONTRACT, TORT (INCLUDING NEGLIGENCE OR STRICT LIABILITY) OR ANY OTHER LEGAL THEORY, ANY LIABILITY OF VIKING SHALL BE LIMITED TO REPAIR OR REPLACEMENT OF THE PRODUCT, OR AT VIKING'S OPTION, REFUND OF THE PURCHASE PRICE AS THE EXCLUSIVE REMEDY AND ANY LIABILITY OF VIKING SHALL BE SO LIMITED.

IT IS EXPRESSLY UNDERSTOOD AND AGREED THAT EACH AND EVERY PROVISION OF THIS AGREEMENT WHICH PROVIDES FOR DISCLAIMER OF WARRANTIES, EXCLUSION OF CONSEQUENTIAL DAMAGES, AND EXCLUSIVE REMEDY AND LIMITATION OF LIABILITY, ARE SEVERABLE FROM ANY OTHER PROVISION AND EACH PROVISION IS A SEPARABLE AND INDEPENDENT ELEMENT OF RISK ALLOCATION AND IS INTENDED TO BE ENFORCED AS SUCH.

Due to the dynamic nature of the product design, the information contained in this document is subject to change without notice. Viking Electronics, and its affiliates and/or subsidiaries assume no responsibility for errors and omissions contained in this information. Revisions of this document or new editions of it may be issued to incorporate such changes.