

Economical and Vandal Resistant Hot-Line Phones

The **K-1900** Series of hot-line phones are programmable to dial a 1-32 digit telephone number each time the phone's handset is lifted. These products may be programmed to touch tone or pulse dial and will not dial on incoming calls.

The **K-1900** Series phones are available in a desk or wall chassis configuration.

A network insert dialer is also available, model **K-1900-6**, to convert standard phones into hot-line phones.



K-1900W-2



K-1900D-2



K-1900D-2 ASH



K-1900W-2 ASH

Features

- Telephone line powered
- Hearing aid compatible amplified handsets
- Rotary handset volume control
- 1-32 digit programmable speed dial number
- Touch tone and 10/20 pps pulse dialing
- Non-volatile memory (no batteries required)
- Restricts fraudulent calls from hand held dialers
- **K-1900D/W-2** available in red or ash
- Optional **Q170600** ringer (DOD 834)
- Operates on a CO line or analog PABX/KSU extensions
- Ring detection (will not dial on incoming calls)
- Programmable security code to enter the programming mode
- Touch tone programmable
- **K-1900-6** fits standard 500, 554, 2500 and 2554 set phones

Applications

- Catalog sales
- Information kiosks in malls
- Courtesy and customer service phones
- Automated tellers
- Hot-line reservation phones
- Replace leased Ringdown circuits
- Security and emergency phones

www.vikingelectronics.com
Information: (715) 386-8861

Specifications

Power: Telephone line powered (20V DC/18mA minimum)

Dimensions: (see page 2)

Environmental: 0°C to 32°C (32°F to 90°F) with 5% to 95% non-condensing humidity

Dialing Speed: Normal: 120ms tones/10 pps, Fast: 50ms tones/20 pps

Specifications and Installation

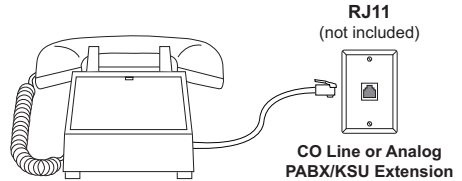
Viking offers two variations of hot-line phones and one network dialer. Each model is designed for specific applications, including varying mounting capabilities and levels of vandal protection. The following sections describe the product model numbers, their applications, installation and specifications.

⚠ Important: Use a minimum of 26 gauge wire when connecting the K-1900 phone to the public switched network.

A. Hot-Line Desk Phone

To install the **K-1900D-2** insert the RJ11 plug into a standard RJ11 jack as shown to the right.

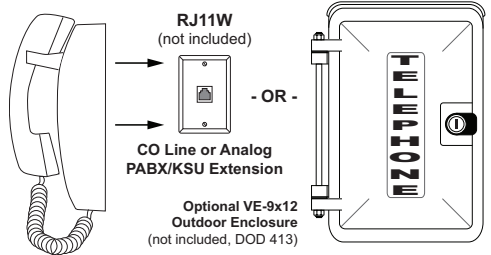
Dimensions: 9.0" x 8.25" x 4.75" (230mm x 210mm x 120mm)
Shipping Weight: 3 lbs (1.36 Kg)
Connections: RJ11
Colors: Red or Ash



B. Hot-Line Wall Phone

To install the **K-1900W-2** line up the pins of the RJ11W jack with the slots on the back of the phone, insert and press down as shown right.

Dimensions: 4.0" x 4.75" x 9.0" (102mm x 121mm x 229mm)
Shipping Weight: 3 lbs (1.36 Kg)
Connections: RJ11W
Colors: Red or Ash



C. Hot-Line Dialer Network

The **K-1900-6** Hot-Line Dialer Network can be used with any carbon microphone handset and an SPDT (Single Pole Double Throw) hook switch or typical 500, 554, 2500 and 2554 phones. Attach the wires as shown. An electronic ringer may be used if inbound call capability is required.

Required Handset Type: Carbon or Carbon Compatible Electric microphone (not included)

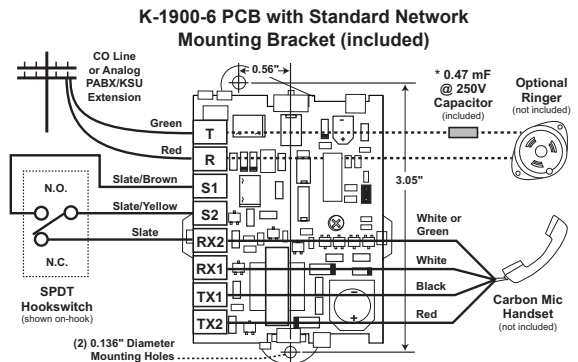
Required Hookswitch: SPDT (Single Pole Double Throw)

Dimensions: 3.5" x 2.7" x 1.3" (88.9mm x 68.6mm x 33mm)

Shipping Weight: 0.45 Kg (1.0 lb)
Connections: Miniature spade receptacles

Compatible Phones: 500, 554, 2500 and 2554

** Note: If the phone has a ringer, the included capacitor MUST be installed as shown.*



Programming

While in the programming mode, two beeps indicate a valid programming entry. An invalid entry will be indicated with three beeps. To exit programming, simply hang-up the **K-1900** Series phone.

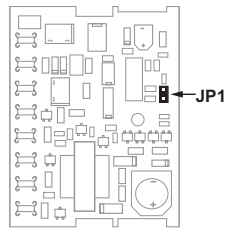
A. Accessing the Programming Mode

1. Using the Security Code

Step 1	Connect the K-1900 Series device to an analog CO line, or an analog PABX/KSU station.
Step 2	From a touch tone phone, call into the K-1900 phone.
Step 3	Listen for at least one ringback in the calling phone, then take the K-1900 phone off-hook (answer the phone).
Step 4	From the touch tone phone, enter the security code (factory set to 845464 , see section E).
Step 5	A double beep indicates the K-1900 Series phone is in the programming mode (see sections B-G). If six digits are entered and no beeps are heard, an incorrect security code has been entered. Repeat steps 2-5 or follow directions in 2. Without a Security Code .

2. Without a Security Code (If you don't have the security code)

Step 1	Remove JP1 (as shown to the right). For the K-1900W-2 and K-1900D-2 , the plastic cover must be removed to expose the circuit board.
Step 2	Connect the K-1900 device to a CO line, analog PABX/KSU station or to a DLE-200B Line Simulator.
Step 3	From a touch tone phone, call into the K-1900 phone.
Step 4	Listen for at least one ringback in the calling phone and then take the K-1900 Series phone off-hook (answer the phone).
Step 5	A double beep indicates the K-1900 Series phone is in the programming mode (see sections B-G).
Step 6	When programming is finished, replace JP1 and replace cover on phone.



Important: JP1 MUST be in place for normal operation.

B. Quick Programming Features

Description	Enter Digits	+ Location
Speed dial number (see section C) 1-32 digits or pauses	Phone Number	+ #0
Security Code, factory set to 845464 (see section E)	6 digits	+ #9
To add a * anywhere in the dialing string	**	
To add a # anywhere in the dialing string	*#	
To set dialing speed to normal: 120ms tones/10 pps (factory setting)	*1	
To set dialing speed to fast: 50ms tones/20pps	*2	
To restrict touch tone user dialing (factory setting)	*3	
To enable touch tone user dialing	*4	
Toggles between pulse and touch tone dialing (see section C)	*6	
To add a 4 second pause anywhere in the dialing string (see section C)	*7	
To add a 1 second pause anywhere in the dialing	*8	
To clear all programming and change back to factory settings	###	

C. Programming Examples

To Program the K-1900 Series Phone	Step 1 - see Section A	Step 2- Enter Digits
...to touch tone dial 555-1234	Enter Programming	5551234 + #0
...to pulse dial 555-1234 followed by a touch tone 9	Enter Programming	*6 5551234 *6 9 + #0
...to dial a 9, a 4 second pause and then 555-1234	Enter Programming	9 *7 5551234 + #0
...to set the dialing speed to fast	Enter Programming	*2
...to enable unlimited user dialing after the phone has speed dialed	Enter Programming	*4
...to clear the speed dial number or disable speed dialing	Enter Programming	#0

D. Touch Tone and Pulse Dial Speeds

The **K-1900** Series phone can be programmed to dial at normal or fast dialing speeds. While in the programming mode, enter *1 for normal dialing speed: 120ms on/off touch tones or 10 pps pulse dialing. Enter *2 for fast dialing speed: 50ms on/off touch tones or 20 pps pulse dialing.

E. Security Code

A six digit security code is required to access the programming mode. The factory set security code is **845464** (V-I-K-I-N-G). It is recommended that you change the security code to a personal 6 digit (0-9) number in memory position #9 while in the programming mode. **Note: The security code must be six digits in length and cannot contain a * or #.**

F. Touch Tone or Pulse Dialing

The **K-1900** Series phone is factory set to automatically dial using touch tones. A *6 entered in the speed dial number will toggle the dialing mode between touch tone and pulse (see section C). **Note: You can NOT program a * or # to be pulse dialed.**

G. Touch Tone User Dialing Restriction (factory enabled)

The **K-1900** Series phone is factory set to restrict fraudulent calls from hand held pocket dialers. After speed dialing, the **K-1900** Series phone will restrict (hang up) when it detects any touch tone that it did not generate. To restrict user dialing, enter *3 while in the programming mode. To enable user dialing, enter *4 while in the programming mode.

Adding an Internal Ringer

An optional **Q170600** internal ringer is available.

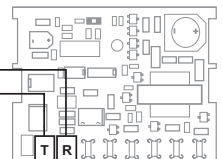
For more information, see **DOD 834**.

Q170600
Electronic
Ringer



3

0.47 mF @ 250V
Capacitor
(included with ringer)



Warranty

IF YOU HAVE A PROBLEM WITH A VIKING PRODUCT, CONTACT VIKING TECHNICAL SUPPORT AT: 715-386-8666

Our Technical Support Department is available for assistance Monday to Friday 8:00am - 5:00pm central time. Before you call, please:

1. Know the model number, the serial number, and what software version you have (see serial label).
2. Have the Product Manual in front of you.
3. It is best if you are on site.

RETURNING PRODUCT FOR REPAIR

The following procedure is for equipment that needs repair:

1. Customer must contact Viking's Technical Support Department at 715-386-8666 to obtain a Return Authorization (RA) number. The customer MUST have a complete description of the problem, with all pertinent information regarding the defect, such as options set, conditions, symptoms, methods to duplicate problem, frequency of failure, etc.
2. Packing: Return equipment in original box or in proper packing so that damage will not occur while in transit. The original product boxes are not designed for shipping - an overpack box is required to prevent damage in transit. Static sensitive equipment such as a circuit board should be in an anti-static bag, sandwiched between foam and individually boxed. All equipment should be wrapped to avoid packing material lodging in or sticking to the equipment. Include ALL parts of the equipment. C.O.D. or freight collect shipments cannot be accepted. Ship cartons prepaid to:
**VIKING ELECTRONICS
1531 INDUSTRIAL STREET
HUDSON, WI 54016**
3. Return shipping address: Be sure to include your return shipping address inside the box. We cannot ship to a PO Box.
4. RA number on carton: In large printing, write the RA number on the outside of each carton being returned.

RETURNING PRODUCT FOR EXCHANGE

The following procedure is for equipment that has failed out-of-box (within 10 days of purchase):

1. Customer must contact Viking's Technical Support at 715-386-8666 to determine possible causes for the problem. The customer MUST be able to step through recommended tests for diagnosis.
2. If the Technical Support Product Specialist determines that the equipment is defective based on the customer's input and troubleshooting, a Return Authorization (RA) number will be issued. This number is valid for fourteen (14) calendar days from the date of issue.
3. After obtaining the RA number, return the approved equipment to your distributor. Please reference the RA number on the paperwork being shipped back with the unit(s), and also the outside of the shipping box. The original product boxes are not designed for shipping - an overpack box is required to prevent damage in transit. Once your distributor receives the package, they will replace the product over the counter at no charge. The distributor will then return the product to Viking using the same RA number.
4. **The distributor will NOT exchange this product without first obtaining the RA number from you. If you haven't followed the steps listed in 1, 2 and 3, be aware that you will have to pay a restocking charge.**

TWO YEAR LIMITED WARRANTY

Viking warrants its products to be free from defects in the workmanship or materials, under normal use and service, for a period of two years from the date of purchase from any authorized Viking distributor. If at any time during the warranty period, the product is deemed defective or malfunctions, return the product to Viking Electronics, Inc., 1531 Industrial Street, Hudson, WI., 54016. Customer must contact Viking's Technical Support Department at 715-386-8666 to obtain a Return Authorization (RA) number.

This warranty does not cover any damage to the product due to lightning, over voltage, under voltage, accident, misuse, abuse, negligence or any damage caused by use of the product by the purchaser or others. This warranty does not cover non-EWP products that have been exposed to wet or corrosive environments. This warranty does not cover stainless steel surfaces that have not been properly maintained.

NO OTHER WARRANTIES. VIKING MAKES NO WARRANTIES RELATING TO ITS PRODUCTS OTHER THAN AS DESCRIBED ABOVE AND DISCLAIMS ANY EXPRESS OR IMPLIED WARRANTIES OR MERCHANTABILITY OR FITNESS FOR ANY PARTICULAR PURPOSE.

EXCLUSION OF CONSEQUENTIAL DAMAGES. VIKING SHALL NOT, UNDER ANY CIRCUMSTANCES, BE LIABLE TO PURCHASER, OR ANY OTHER PARTY, FOR CONSEQUENTIAL, INCIDENTAL, SPECIAL OR EXEMPLARY DAMAGES ARISING OUT OF OR RELATED TO THE SALE OR USE OF THE PRODUCT SOLD HEREUNDER.

EXCLUSIVE REMEDY AND LIMITATION OF LIABILITY. WHETHER IN AN ACTION BASED ON CONTRACT, TORT (INCLUDING NEGLIGENCE OR STRICT LIABILITY) OR ANY OTHER LEGAL THEORY, ANY LIABILITY OF VIKING SHALL BE LIMITED TO REPAIR OR REPLACEMENT OF THE PRODUCT, OR AT VIKING'S OPTION, REFUND OF THE PURCHASE PRICE AS THE EXCLUSIVE REMEDY AND ANY LIABILITY OF VIKING SHALL BE SO LIMITED.

IT IS EXPRESSLY UNDERSTOOD AND AGREED THAT EACH AND EVERY PROVISION OF THIS AGREEMENT WHICH PROVIDES FOR DISCLAIMER OF WARRANTIES, EXCLUSION OF CONSEQUENTIAL DAMAGES, AND EXCLUSIVE REMEDY AND LIMITATION OF LIABILITY, ARE SEVERABLE FROM ANY OTHER PROVISION AND EACH PROVISION IS A SEPARABLE AND INDEPENDENT ELEMENT OF RISK ALLOCATION AND IS INTENDED TO BE ENFORCED AS SUCH.

FCC REQUIREMENTS

This equipment complies with Part 68 of the FCC rules and the requirements adopted by the ACTA. On the side of this equipment is a label that contains, among other information, a product identifier in the format US:AAAEQ#TXXXX. If requested, this number must be provided to the telephone company.

The REN is used to determine the number of devices that may be connected to a telephone line. Excessive REN's on a telephone line may result in the devices not ringing in response to an incoming call. In most but not all areas, the sum of the REN's should not exceed five (5.0). To be certain of the number of devices that may be connected to a line, as determined by the total REN's, contact the local telephone company. For products approved after July 23, 2001, the REN for this product is part of the product identifier that has the format US:AAAEQ#TXXXX. The digits represented by ## are the REN without a decimal point (e.g., 03 is a REN of 0.3). For earlier products, the REN is separately shown on the label.

The plug used to connect this equipment to the premises wiring and telephone network must comply with the applicable FCC Part 68 rules and requirements adopted by the ACTA. If your home has specially wired alarm equipment connected to the telephone line, ensure the installation of this K-1900 Series does not disable your alarm equipment. If you have questions about what will disable alarm equipment, consult your telephone company or a qualified installer.

If the K-1900 Series causes harm to the telephone network, the telephone company will notify you in advance that temporary discontinuance of service may be required. But if advance notice isn't practical, the telephone company will notify the customer as soon as possible. Also, you will be advised of your right to file a complaint with the FCC if you believe it is necessary.

The telephone company may make changes in its facilities, equipment, operations, or procedures that could affect the operation of the equipment. If this happens, the telephone company will provide advance notice in order for you to make the necessary modifications to maintain uninterrupted service.

If trouble is experienced with the K-1900 Series, for repair or warranty information, please contact:

Viking Electronics, Inc., 1531 Industrial Street, Hudson, WI 54016 Phone: (715) 386-8666

If the equipment is causing harm to the telephone network, the telephone company may request that you disconnect the equipment until the problem is resolved.

Connection to Party Line Service is subject to State Tariffs. Contact the state public utility commission, public service commission or corporation commission for information.

WHEN PROGRAMMING EMERGENCY NUMBERS AND (OR) MAKING TEST CALLS TO EMERGENCY NUMBERS:

Remain on the line and briefly explain to the dispatcher the reason for the call. Perform such activities in the off-peak hours, such as early morning or late evenings.

It is recommended that the customer install an AC surge arrester in the AC outlet to which this device is connected. This is to avoid damaging the equipment caused by local lightning strikes and other electrical surges.

PART 15 LIMITATIONS

This equipment has been tested and found to comply with the limits for a Class A digital device, pursuant to Part 15 of the FCC Rules. These limits are designed to provide reasonable protection against harmful interference when the equipment is operated in a commercial environment. This equipment generates, uses, and can radiate radio frequency energy and, if not installed and used in accordance with the instruction manual, may cause harmful interference to radio communications. Operation of this equipment in a residential area is likely to cause harmful interference in which case the user will be required to correct the interference at his own expense.

Product Support: (715) 386-8666

Due to the dynamic nature of the product design, the information contained in this document is subject to change without notice. Viking Electronics, and its affiliates and/or subsidiaries assume no responsibility for errors and omissions contained in this information. Revisions of this document or new editions of it may be issued to incorporate such changes.