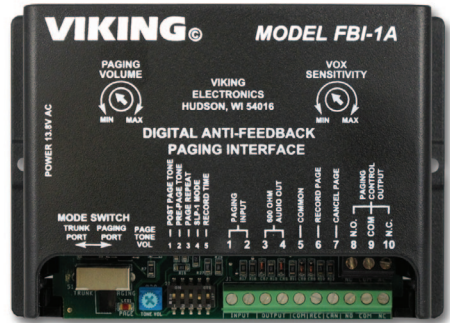


Totally Eliminate Paging Feedback

Even the best designed paging systems can experience feedback. Now you can eliminate annoying feedback over your paging speakers with Viking's model **FBI-1A** digital anti-feedback paging interface.

The **FBI-1A** utilizes state of the art digital recording technology to record the "live" page from a phone system's paging port output or unused trunk port. The **FBI-1A** then immediately plays back the recorded page once or twice (selectable) over the paging system.

Pages of up to 32 seconds can be stored and the **FBI-1A** automatically adjusts to the



page length for faster processing. In addition, the **FBI-1A** can be programmed to provide pre-page and post-page alert tones.

Features

- High quality (80K/40K) digital message storage
- High output: 2V RMS into 600 Ohms
- 16 or 32 second record time (DIP switch selectable)
- Compatible with Paging ports or Trunk ports
- Activate recording from VOX detection, contact closure or loop detect (Trunk mode only)
- VOX sensitivity adjustment
- Cancel page feature
- Selectable page repeat
- Selectable pre-page alert tone
- Selectable post-page alert tone
- Adjustable alert tone volume
- NO/NC relay contacts control paging system
- Record/Playback LED indicator
- Compatible with virtually all paging and telephone systems

www.VikingElectronics.com
Information: 715-386-8861

Applications

Eliminate Paging Feedback in:

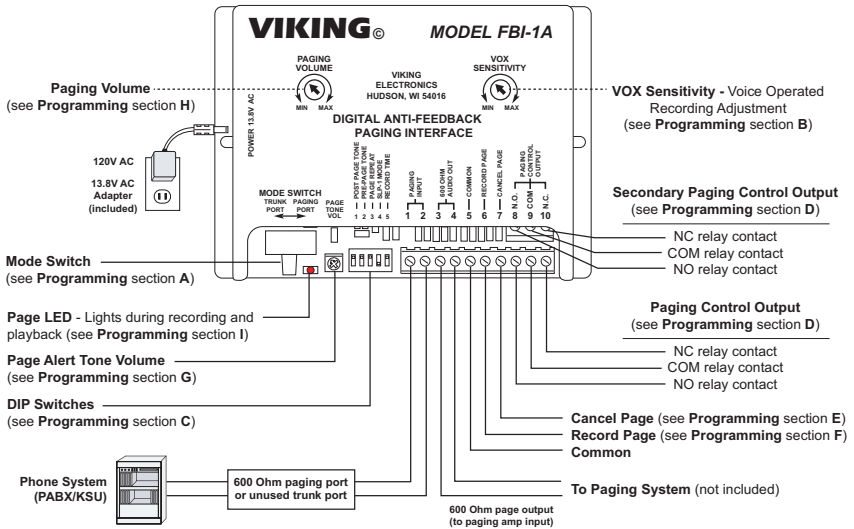
- Warehouses, Factories, Offices
- Retail Stores, Hotels, Airports
- Stadiums, School Gymnasiums, Pools
- Casinos, Bingo Halls, Dining Establishments
- Other large noisy areas

Specifications

- Power:** 120V AC/13.8V AC 1.25A, UL listed adapter provided
- Dimensions:** 5.25" x 3.5" x 1.75" (133mm x 89mm x 44mm)
- Shipping Weight:** 1.6 lbs (0.73 kg)
- Environmental:** 32°F to 90°F (0°C to 32°C) with 5% to 95% noncondensing humidity
- Sampling Rate:** 80K/40K (equivalent)
- Maximum Page Length:** 16/32 seconds (DIP switch selectable)
- Output Impedance:** 600 Ohm
- Maximum Audio Output:** 2V RMS (driving a 600 Ohm load)
- Talk Battery:** 24V DC (Trunk mode only)
- Connections:** 13 cage clamp screw terminals

Installation

IMPORTANT: Electronic devices are susceptible to lightning and power station electrical surges from both the AC outlet and the telephone line. It is recommended that a surge protector be installed to protect against such surges.



Programming

A. Mode Switch

In the Trunk Port position, 24V talk battery is supplied for connecting the **FBI-1A** paging input to a phone system's unused trunk port. In the Paging Port position, a 600 ohm audio input is supplied for connecting to a phone system's paging port output.

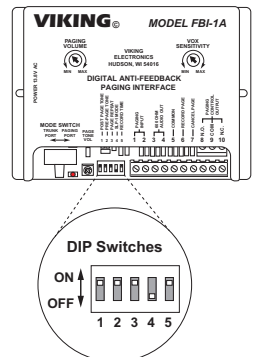
B. VOX Sensitivity

If the **FBI-1A** is installed on a phone system's paging port that does not supply a page control contact (normally open relay contact that closes while the paging port is activated) the VOX (Voice Operated Recording) feature may be used. The VOX sensitivity may require adjustment. Rotate the POT clockwise to increase the sensitivity for low level input signals (see Programming section I).

Note: The VOX (Voice Operated Recording) feature is not used in the trunk mode or when a page control contact is connected to the record page input of the **FBI-1A** to trigger the recording. In these applications, set the VOX sensitivity to the minimum level.

C. DIP Switch Programming

Switch	Position	Description
1	ON	Enables the post page tone (a high tone after the page)
1	OFF	Disables the post page tone
2	ON	Enables the pre-page tone (a low tone before the page)
2	OFF	Disables the pre-page tone
3	ON	Enables page repeat (the message is played twice)
3	OFF	Disables page repeat
4	ON	Enables SLP-1 mode - the paging control outputs activate during record and playback
4	OFF	Disables SLP-1 mode - the paging control outputs activate during playback only
5	ON	Standard record time: 16 seconds (high quality/80K)
5	OFF	Extended record time: 32 seconds (low quality/40K)



Note: DIP Switches shown in factory default positions.

D. Paging Control Output

If required, these optional relay contacts can control your paging system. The contacts can be set to activate during page playback or during recording and playback (see **Programming** section C).

E. Cancel Page Input

The **FBI-1A** is capable of cancelling a page in progress. Connect the **Cancel Page Input** to a normally open remote switch or button at the receptionist's desk. Momentarily pressing the button will cancel the page in progress (during recording or playback).

F. Record Page Input

Connect the **Record Page Input** to the normally open paging control contact of your phone system. Place the VOX sensitivity POT in the "MIN" position. The **FBI-1A** will record the page while the contact closure is maintained. **Note:** Using the Record Page Input is preferred over using the VOX circuit to control recording.

G. Page Alert Tone Volume

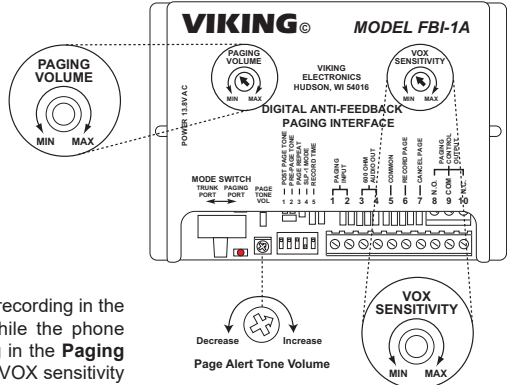
The **FBI-1A** has a POT for adjusting pre-page and post-page alert tone levels (see diagram, right).

H. Paging Volume

Rotate the **Paging Volume** POT clockwise to increase the paging volume and counter-clockwise to decrease the paging volume (see diagram, right).

I. Page LED

This is a recording and playback indicator. When recording in the **Trunk Port** mode, the LED will light steady while the phone system's trunk port is accessed. When recording in the **Paging Port** mode, the LED can be used as a maximum VOX sensitivity adjustment indicator; the LED should flash only when the paging port is accessed and paging audio is present, if the LED lights steady when the paging port is not accessed, the VOX sensitivity is set too high and should be decreased until the LED turns off (see **Programming** section B). During playback in either mode, the LED will light steady for the entire duration of the message playback.



Operation

A. Trunk Port Mode

Important: The **MODE SWITCH** must be in the **TRUNK PORT** position.

1. Access the phone system's trunk port that is interfaced to the **FBI-1A**.
2. Announce the page.
3. Hang-up.

Note: The **FBI-1A** will record the entire time the trunk port is off hook. It is important that you hang-up immediately after announcing the page to avoid recording silence.

B. Paging Port Mode

Important: The **MODE SWITCH** must be in the **PAGING PORT** position.

1. Access the phone system's paging port.
2. Announce the page.
3. Hang-up.

If you are using the **Record Page Input** (see **Programming** section F), the **FBI-1A** will record the entire time you are off hook on the paging port. It is important to hang-up immediately after announcing the page to avoid recording silence.

If you are NOT using the **Record Page Input**, the **FBI-1A**'s VOX (voice activated recording) circuit will sense the paging audio and automatically begin recording the page. The **FBI-1A** will continue to record until 2 seconds of silence is detected. The **FBI-1A** will then playback the recorded page. In this mode, the VOX sensitivity may require adjustment (see **Programming** section B).

Note: For both modes, if the page exceeds the recording time, you will hear two error beeps in the handset before the page is played. On systems that do not use the paging control output (see **Programming** section D), the error beeps will play over the paging system before the page.

