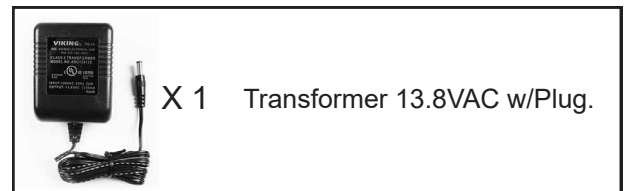


**⚠** See Product Manual for complete installation and programming instructions.

## 1.0 Out-of-Box

### 1.1 Verify that you have received all of the parts listed



### 1.2 Download the product manual

Scan the QR code to open and download the product manual



- OR -

1. Go to [www.vikingelectronics.com](http://www.vikingelectronics.com) and enter **FAXJ-1000** in the search box
2. Under Documents click **Product Manual** to open and download the PDF

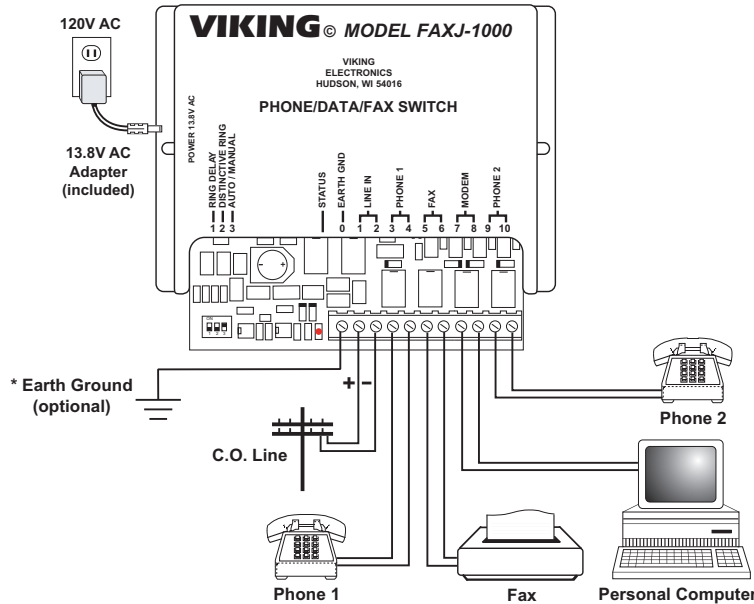
## 2.0 Installations



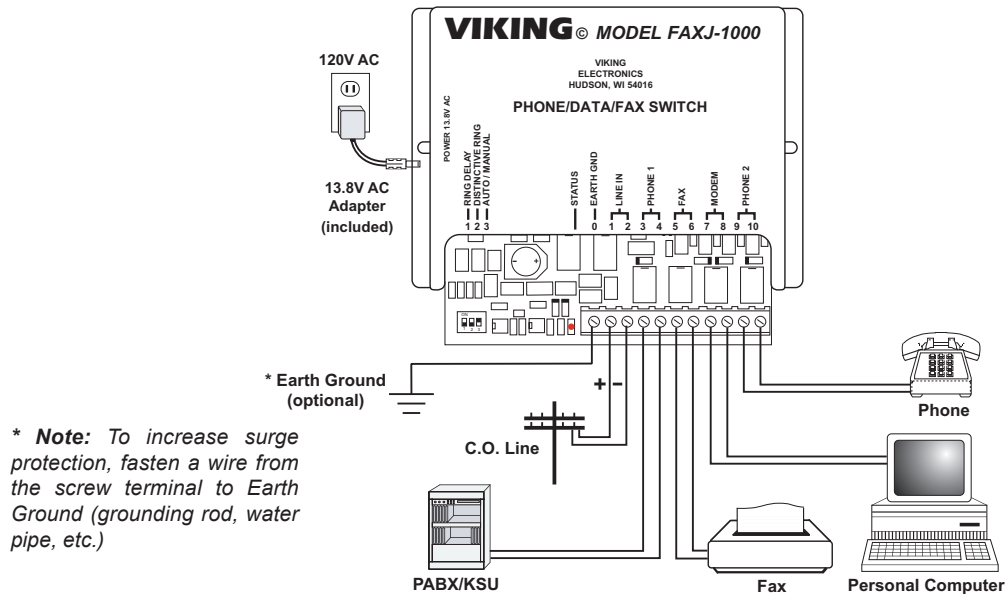
**IMPORTANT:** Electronic devices are susceptible to lightning and power station electrical surges from both the AC outlet and the telephone line. It is recommended that a surge protector be installed to protect against such surges.

### A. Fax / Data / Phone Application

**Note:** The polarity of the connection to the **CO Line In** terminals shown below should be (+) or Tip to terminal 1 and (-) or Ring to terminal 2. Observing this polarity helps prevent clicks and dings of connected phones on hang up.



### B. PABX / KSU Application



See the Product Manual for complete installation and programming instructions.  
Questions? Call Viking Product Support: 715-386-8666

Due to the dynamic nature of the product design, the information contained in this document is subject to change without notice. Viking Electronics, and its affiliates and/or subsidiaries assume no responsibility for errors and omissions contained in this information. Revisions of this document or new editions of it may be issued to incorporate such changes.