

# VG2756a-2K

## Display User Guide

**IMPORTANT:** Please read this User Guide to obtain important information on installing and using your product in a safe manner, as well as registering your product for future service. Warranty information contained in this User Guide will describe your limited coverage from ViewSonic® Corporation, which is also found on our web site at <http://www.viewsonic.com> in English, or in specific languages using the Regional selection box of our website.

Model No. VS18302  
P/N: VG2756a-2K

## **Thank you for choosing ViewSonic®**

As a world-leading provider of visual solutions, ViewSonic® is dedicated to exceeding the world's expectations for technological evolution, innovation, and simplicity. At ViewSonic®, we believe that our products have the potential to make a positive impact in the world, and we are confident that the ViewSonic® product you have chosen will serve you well.

Once again, thank you for choosing ViewSonic®!

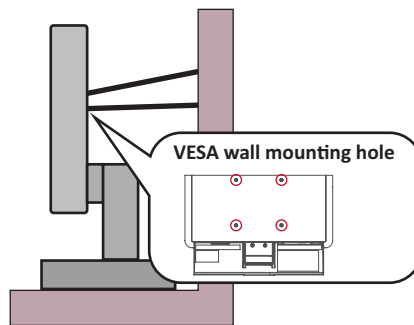
# Safety Precautions

- Read these instructions completely before using the equipment.
- Keep these instructions in a safe place.
- Heed all warnings and follow all instructions.
- Sit at least 18" / 45 cm from the monitor.
- When installing the monitor, please leave 4" / 10 cm of open space around the monitor for ventilation safety purposes.
- Always handle the display with care when moving it.
- Always use cabinets or stands or installation methods recommended by the manufacturer of the monitor set.
- Always use furniture that can safely support the monitor.
- Always ensure the monitor is not overhanging the edge of the supporting furniture.
- Do not place the monitor where children are likely to be present.
- Always educate children about the dangers of climbing on furniture to reach the monitor or related equipment.
- Always route and manage cords and cables connected to your monitor so they cannot be tripped over, pulled, or grabbed.
- Exercise caution when removing the rear cover of the monitor. This monitor contains high-voltage parts.
- Do not use this equipment near water. To reduce the risk of fire or electric shock, do not expose the monitor to rain or moisture.
- Avoid exposing the monitor to direct sunlight or other sources of sustained heat. Do not install near any heat sources such as radiators, heat registers, stoves, or other devices (including amplifiers) that may increase the temperature of the monitor to dangerous levels.
- Clean with a soft, dry cloth. If further cleaning is required, see the "Maintenance" section in this guide for further instructions.
- Avoid touching the screen. Skin oils are difficult to remove.
- Do not touch, rub, or apply pressure to the monitor screen, as it may permanently damage the screen.
- Do not place the monitor in an unstable location.
- Do not place the monitor on tall furniture (for example, cupboards or bookcases) without anchoring both the furniture and the monitor to a suitable support.
- Do not place the monitor on cloth or other materials that may be located between the product and supporting furniture.

- Place the monitor in a well-ventilated area. Do not place anything on the display that prevents heat dissipation.
- Do not place heavy objects on the display, video cable, or power cord.
- Do not place items that might tempt children to climb, such as toys and remote controls, on the top of the monitor or furniture on which the product is placed.
- If smoke appears, an abnormal noise, or a strange odor is present, immediately switch the display off and contact your dealer or ViewSonic. It is dangerous to continue using the display.
- Do not attempt to circumvent the safety provisions of the polarized or grounding-type plug. A polarized plug has two blades with one wider than the other. A grounding type plug has two blades and a third grounding prong. The wide blade and the third prong are provided for your safety. If the plug does not fit into your outlet, obtain an adaptor and do not attempt to force the plug into the outlet.
- Please confirm the distribution system installed in the building. The system should provide a circuit breaker rated at 120/240V, 20A.
- When connecting to a power outlet, DO NOT remove the grounding prong. Please ensure grounding prongs are NEVER REMOVED.
- Protect the power cord from being treaded upon or pinched, particularly at the plug, and at the point where it emerges from the equipment. Be sure that the power outlet is located near the equipment so that it is easily accessible.
- Only use attachments/accessories specified by the manufacturer.
- Use only with the cart, stand, tripod, bracket, or table specified by the manufacturer, or sold with the equipment. When a cart is used, use with caution when moving the cart/equipment combination to avoid injury from tipping over.
- Unplug this equipment when it will be unused for long periods of time.
- Refer all servicing to qualified service personnel. Service will be required when the unit has been damaged in any way, such as: if the power-supply cord or plug is damaged, if liquid is spilled onto or objects fall into the unit, if the unit is exposed to rain or moisture, or if the unit does not operate normally or has been dropped.
- Excessive sound volume from ear-/headphones may cause hearing damage/hearing loss.
- Adjustment of the volume control as well as the equalizer may increase the ear-/headphones output voltage and therefore, the sound volume level.
- The factors influencing the ear-/headphones output other than those specified by the manufacturer (e.g. operating system, equalizer software, firmware, driver) may increase the ear-/headphone output voltage and therefore, the sound volume level.

- **Stability Hazard:** The display may fall, causing serious personal injury or death. To prevent injury, this display must be securely attached to the floor/wall in accordance with the installation instructions.
- Fastening the monitor to a wall or fixed object using cordage or other restraining devices can help support the weight of the monitor in order to prevent the monitor from falling over.

| Hole pattern (W x H) | Interface Pad (W x H x D) | Pad Hole | Screw Specification | Quantity |
|----------------------|---------------------------|----------|---------------------|----------|
| 100 x 100 mm         | 115 x 115 x 2.6 mm        | Ø 5 mm   | M4 x 10 mm          | 4 screws |



**NOTE:**

- Restraining device/cordage should be able to withstand 100N force.
- Make sure the cordage is straightened, and any slack is removed. The back of the device shall face the wall to ensure the device cannot tilt under external force.
- Make sure the monitor does not tilt under external force at any height and rotation angle of the device.
- If the existing monitor is going to be retained and relocated, the same considerations as above should be applied.

# Contents

|   |           |
|---|-----------|
| <b>Safety Precautions</b> .....                         | <b>3</b>  |
| <b>Introduction</b> .....                               | <b>8</b>  |
| Package Contents .....                                  | 8         |
| Product Overview .....                                  | 9         |
| <b>Initial Setup</b> .....                              | <b>10</b> |
| Installing the Stand .....                              | 10        |
| Wall Mounting.....                                      | 13        |
| Using the Security Slot.....                            | 15        |
| <b>Making Connections</b> .....                         | <b>16</b> |
| Connecting to Power .....                               | 16        |
| Connecting External Devices .....                       | 17        |
| HDMI Connection .....                                   | 17        |
| DisplayPort Connection.....                             | 18        |
| DisplayPort/USB Type-C MST Daisy Chain Connection ..... | 19        |
| USB Connection.....                                     | 21        |
| Ethernet Connection .....                               | 22        |
| <b>Using the Monitor</b> .....                          | <b>23</b> |
| Adjusting the Viewing Angle.....                        | 23        |
| Height Adjustment .....                                 | 23        |
| Screen Orientation Adjustment (Monitor Pivot).....      | 24        |
| Swivel Angle Adjustment.....                            | 26        |
| Tilt Angle Adjustment.....                              | 26        |
| Turning the Device On/Off .....                         | 27        |
| Using the Control Panel Keys.....                       | 28        |
| Quick Menu .....  | 28        |
| Hot Keys .....  | 30        |
| Configuring the Settings .....                          | 32        |
| General Operations .....                                | 32        |
| On-Screen Display (OSD) Menu Tree .....                 | 35        |
| Menu Options .....                                      | 39        |

|  |           |
|--|-----------|
| <b>Appendix.....</b>                             | <b>48</b> |
| Specifications.....                              | 48        |
| Glossary .....                                   | 51        |
| Troubleshooting .....                            | 56        |
| Maintenance.....                                 | 58        |
| General Precautions .....                        | 58        |
| Cleaning the Screen.....                         | 58        |
| Cleaning the Case .....                          | 58        |
| Disclaimer.....                                  | 58        |
| Product Upgradeability and Repairability .....   | 59        |
| <b>Regulatory and Service Information .....</b>  | <b>60</b> |
| Compliance Information.....                      | 60        |
| FCC Compliance Statement.....                    | 60        |
| Declaration of RoHS2 Compliance.....             | 61        |
| Indian Restriction of Hazardous Substances ..... | 62        |
| Product Disposal at End of Product Life .....    | 62        |
| Copyright Information .....                      | 63        |
| Customer Service.....                            | 64        |
| Limited Warranty .....                           | 65        |
| Mexico Limited Warranty.....                     | 68        |

# Introduction

## Package Contents

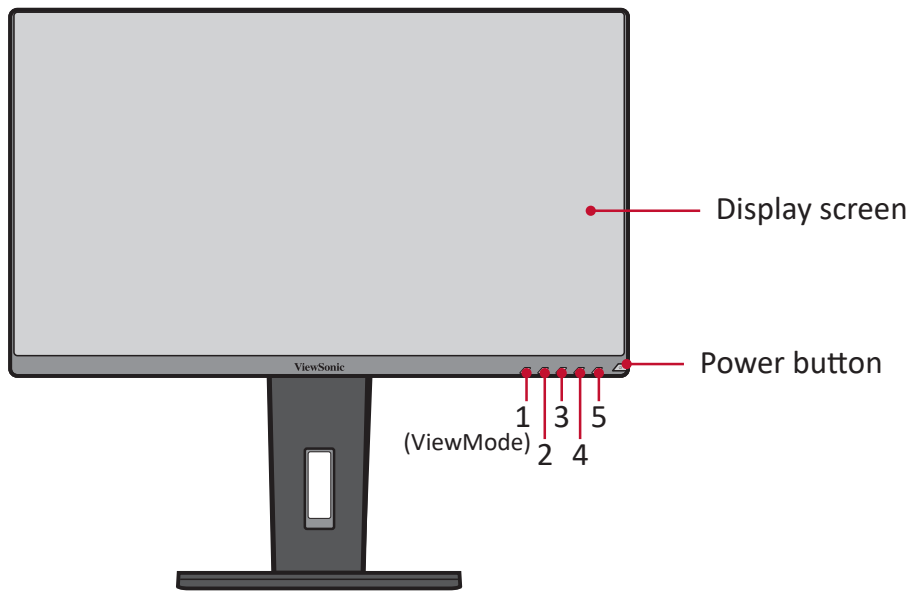
- Monitor
- Power cord
- Video cable
- USB cable
- Quick start guide

**NOTE:** The power cord and video cables included in your package may vary depending on your country. Please contact your local reseller for more information.



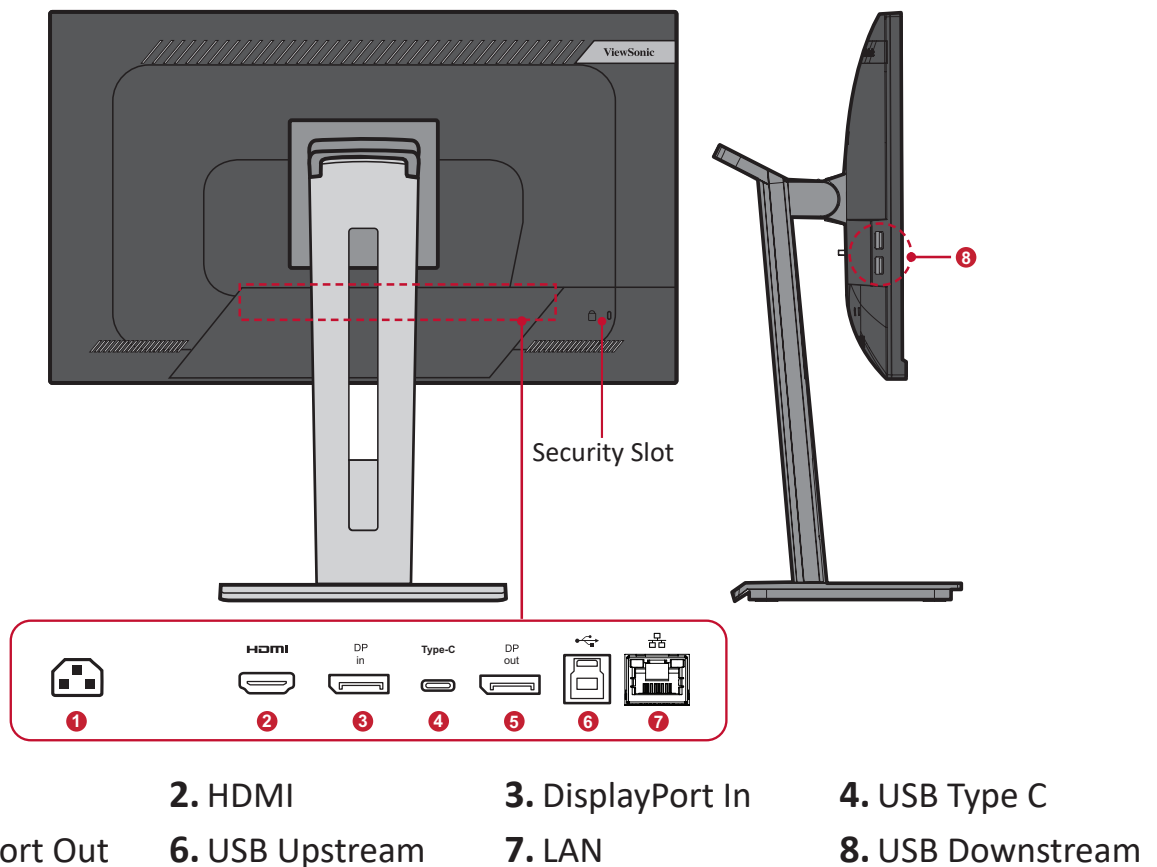
# Product Overview

## Front View



**NOTE:** For more information about the **1(ViewMode)/2/3/4/5** key and its functions, refer to “Hot Keys” on page 30.

## Rear View



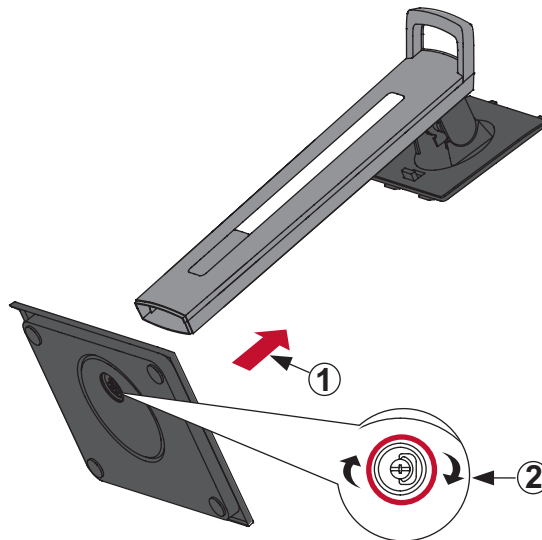
# Initial Setup

This section provides detailed instructions for setting up your monitor.

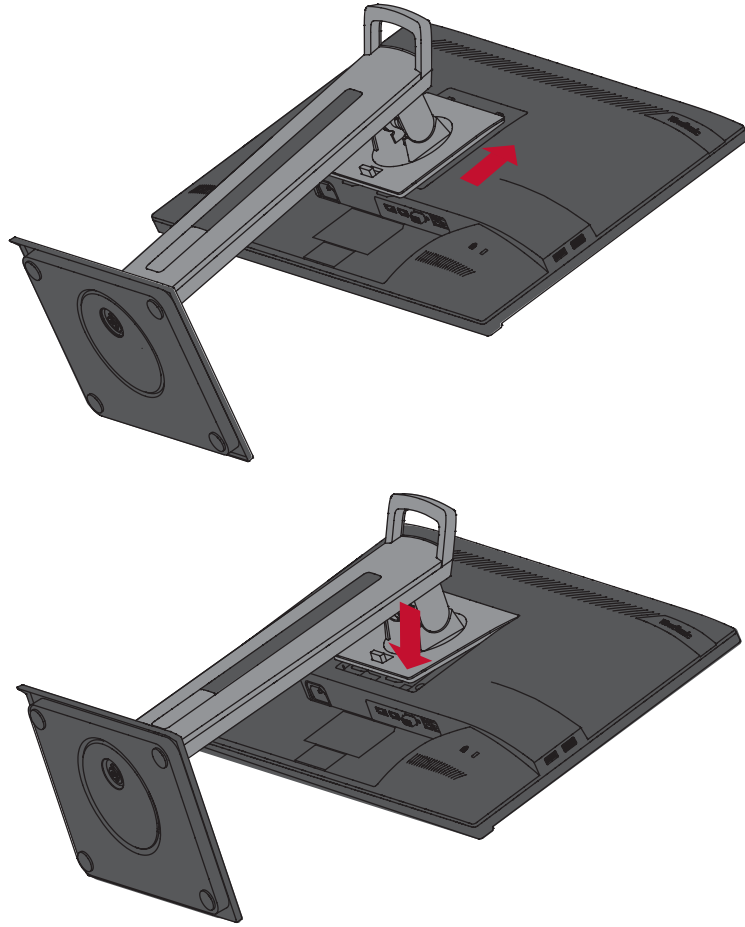
**NOTE:** The monitor comes packaged in a user-friendly box to make installation easy.

## Installing the Stand

1. Place the box on a flat, stable surface and open the front flap of the box to reveal the contents. Remove the top tray.
2. Remove the monitor stand's base and neck. Align and connect the three (3) points on the monitor stand's base with the monitor stand's neck.
3. Use the captured screw in the monitor stand's base and secure it to the monitor stand's neck.

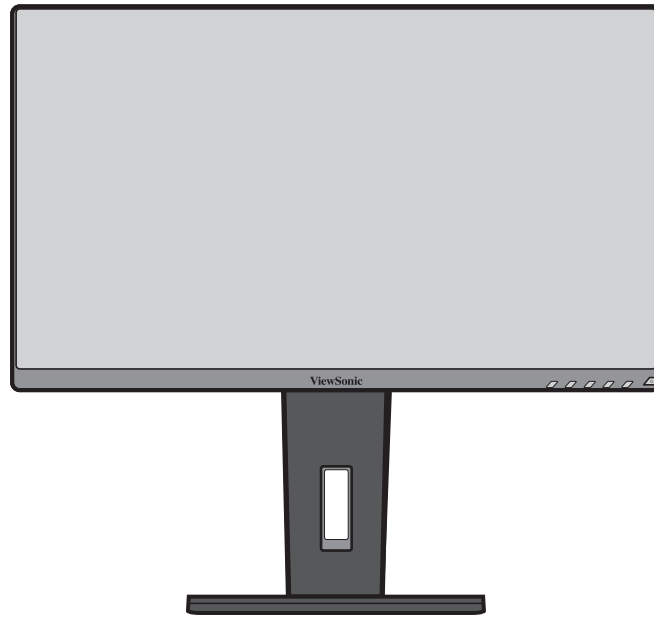


4. Align and slide the upper hooks of the monitor stand into the stand mounting slots as shown in the illustration below:



**NOTE:** Ensure the stand is secure and the quick release tab positively clicks into place.

5. Using the stand's handle, lift the device out of the box and into its upright position on a flat, stable surface.



**NOTE:** Always place the device on a flat, stable surface. Failure to do so may cause the device to fall and damage the device and/or result in personal injury.

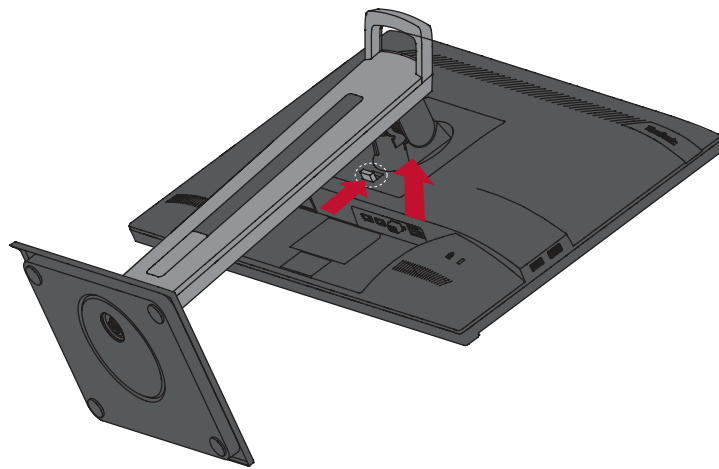
## Wall Mounting

Refer to the table below for the standard dimensions for wall mount kits.

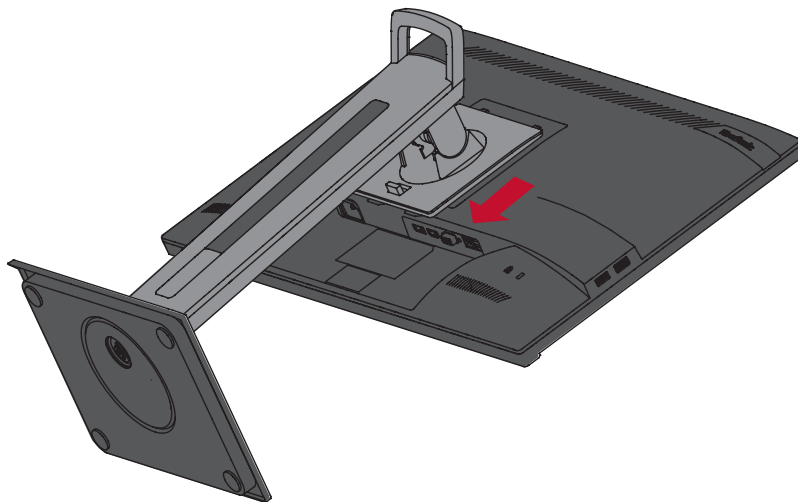
| Maximum Loading | Hole pattern (W x H) | Interface Pad (W x H x D) | Pad Hole | Screw Specification | Quantity |
|-----------------|----------------------|---------------------------|----------|---------------------|----------|
| 14 kg           | 100 x 100 mm         | 115 x 115 x 2.6 mm        | Ø 5 mm   | M4 x 10 mm          | 4 pieces |

**NOTE:** Wall mount kits are sold separately.

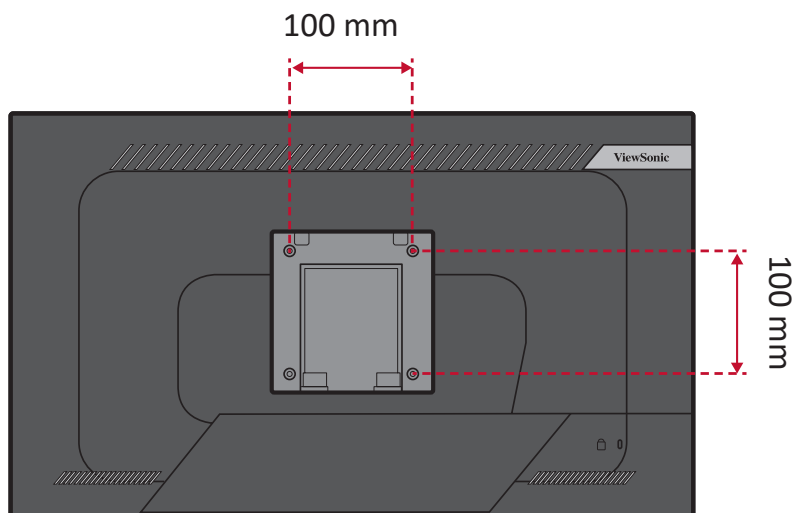
1. Turn off the device and disconnect all cables.
2. Place the device on a flat, stable surface with the screen facing down.
3. Press and hold the quick release tab and carefully lift the stand.



4. Pull down slightly to disengage the hooks and remove the stand.



5. Attach the mounting bracket to the VESA mounting holes at the rear of the device. Then secure it with four (4) screws (M4 x 10 mm).



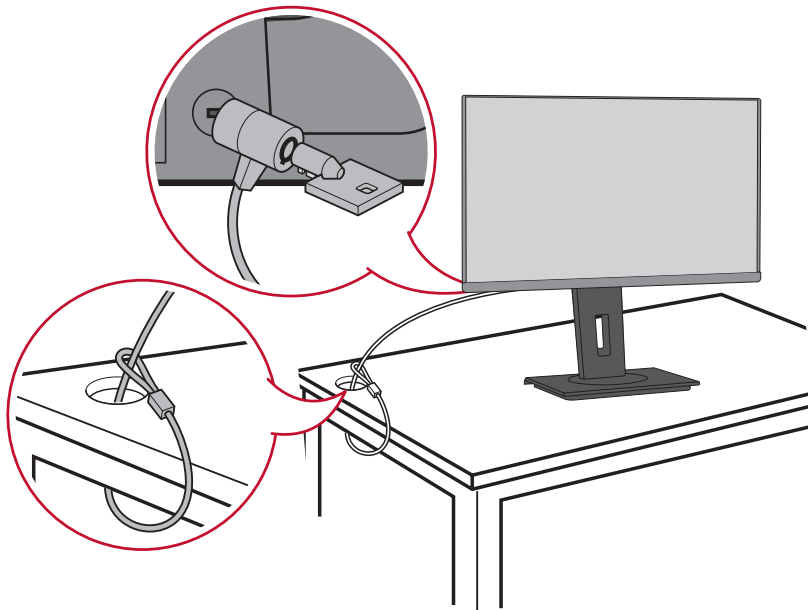
6. Follow the instructions that come with the wall mounting kit to mount the monitor onto the wall.

## Using the Security Slot

To help prevent the device from being stolen, use a security slot locking device to secure the device to a fixed object.

Additionally, fastening the monitor to a wall or fixed object using a security cable can help support the weight of the monitor in order to prevent the monitor from falling over.

Below is an example of setting up a security slot locking device on a table.

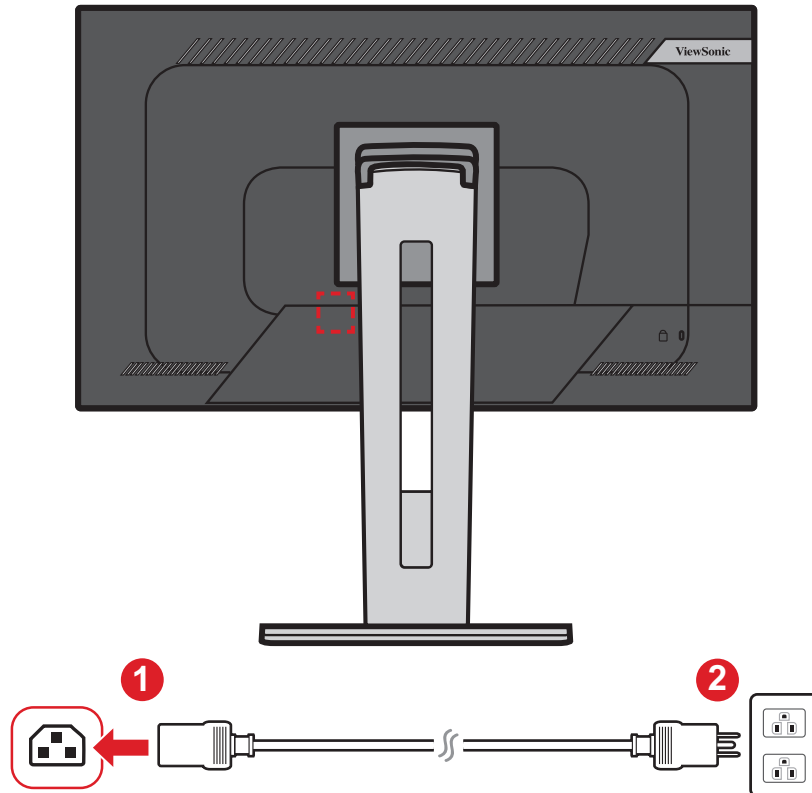


# Making Connections

This section guides you on how to connect the monitor with other equipment.

## Connecting to Power

1. Connect the power cord to the AC IN jack at the rear of the device.
2. Connect the power cord plug to a power outlet.



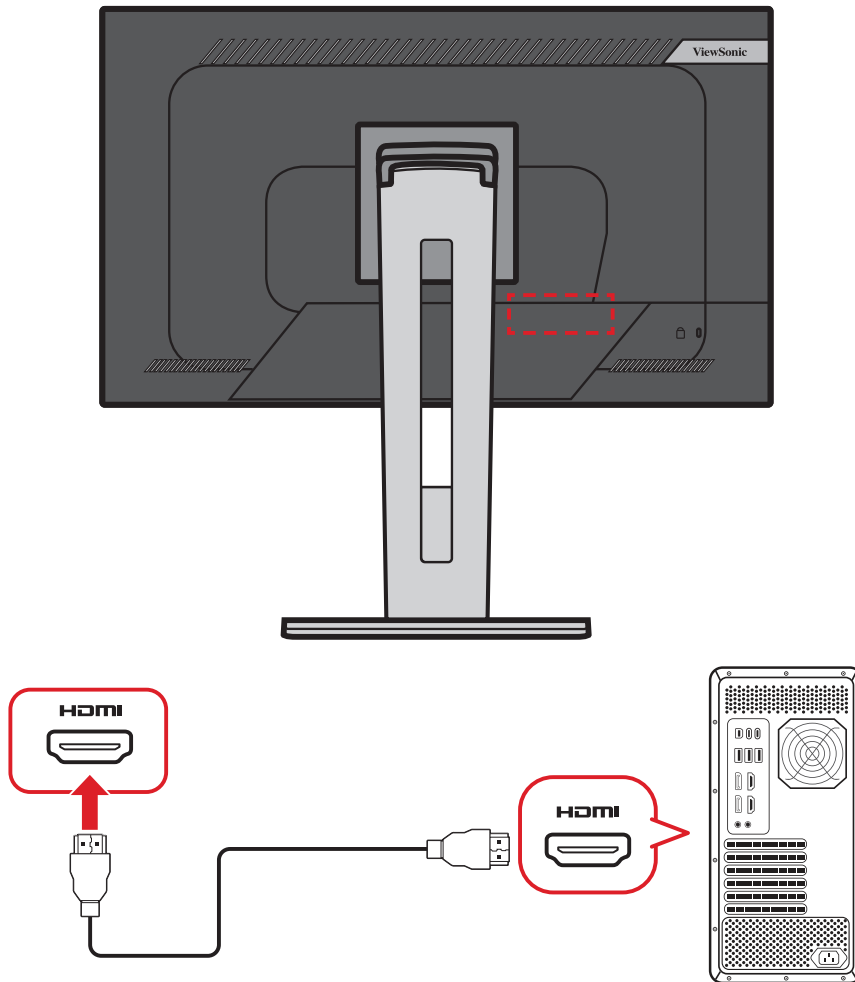


# Connecting External Devices

## HDMI Connection

Connect one end of an HDMI cable to the HDMI port of your monitor. Then connect the other end of the cable to the HDMI port of your computer.

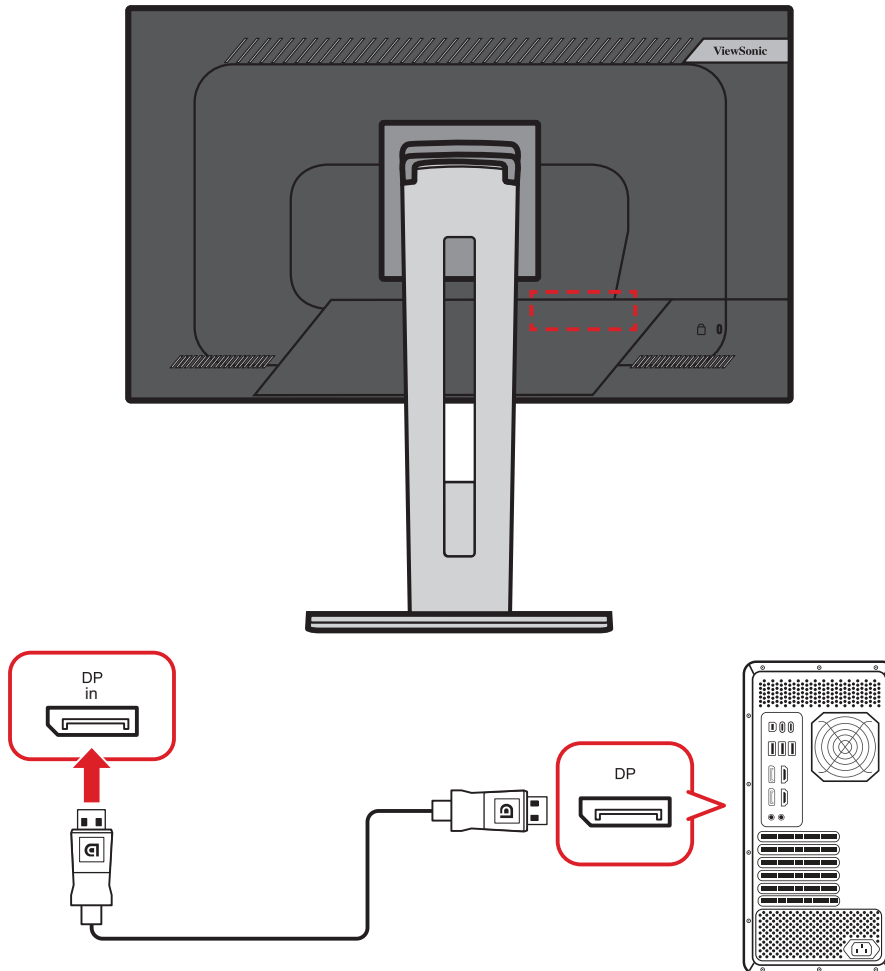
**NOTE:** The monitor is equipped with one HDMI 1.4 port.



## DisplayPort Connection

Connect one end of a DisplayPort cable to the DisplayPort port. Then connect the other end of the cable to the DisplayPort or mini DP port of your computer.

**NOTE:** To connect the monitor to the Thunderbolt port (v. 1&2) on you Mac, connect the mini DP end of the “mini DP to DisplayPort cable” to the Thunderbolt output of your Mac. Then connect the other end of the cable to the DisplayPort of the monitor.



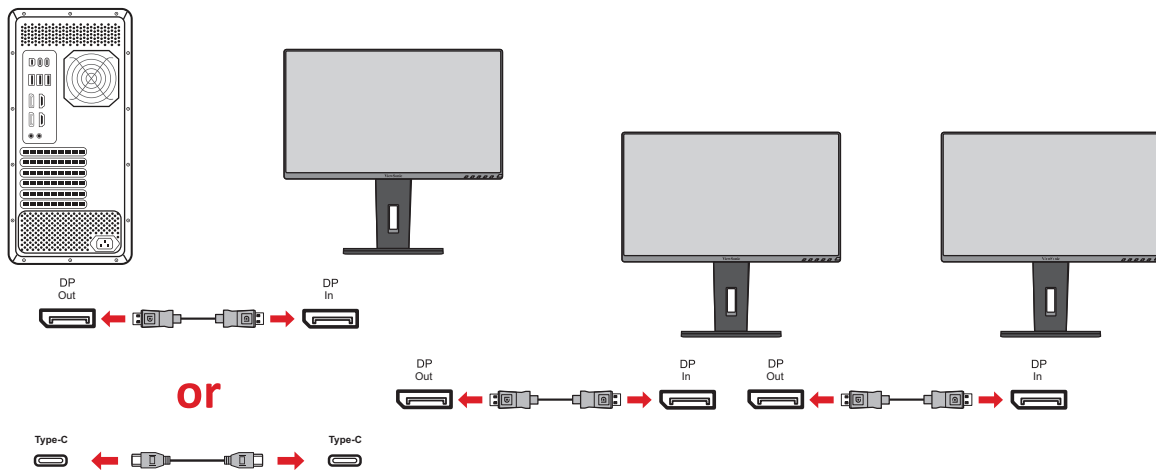
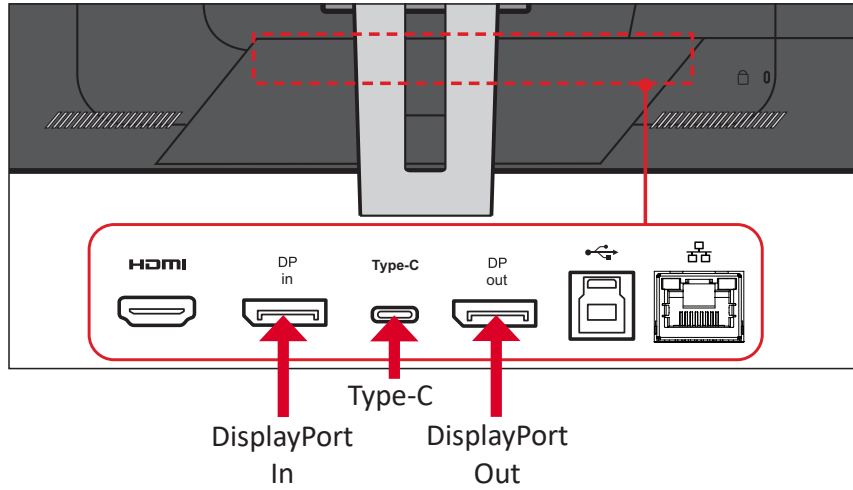
## **DisplayPort/USB Type-C MST Daisy Chain Connection**

With DisplayPort/USB Type-C Multi-Stream Transport (MST) support, you can daisy chain up to four (4) monitors.

- 1.** Connect one end of a DisplayPort/USB Type-C cable to the DisplayPort/USB Type-C Out port of your computer. Then connect the other end of the cable to the DisplayPort In/USB Type-C port of the monitor.
- 2.** Use another DisplayPort cable to connect to the DisplayPort Out port of the first monitor. Then connect the other end of the cable to the DisplayPort In port of the second monitor.

3. Repeat **Step 2** as needed with up to four (4) monitors.

**NOTE:** Your graphics card compatibility and monitor resolution will determine the number of monitors. For example, you can connect four (4) VG2456 (1920 x 1080), two (2) VG2756-2K (2560 x 1440), or two (2) VG2456 and one (1) VG2756-2K.



**NOTE:**

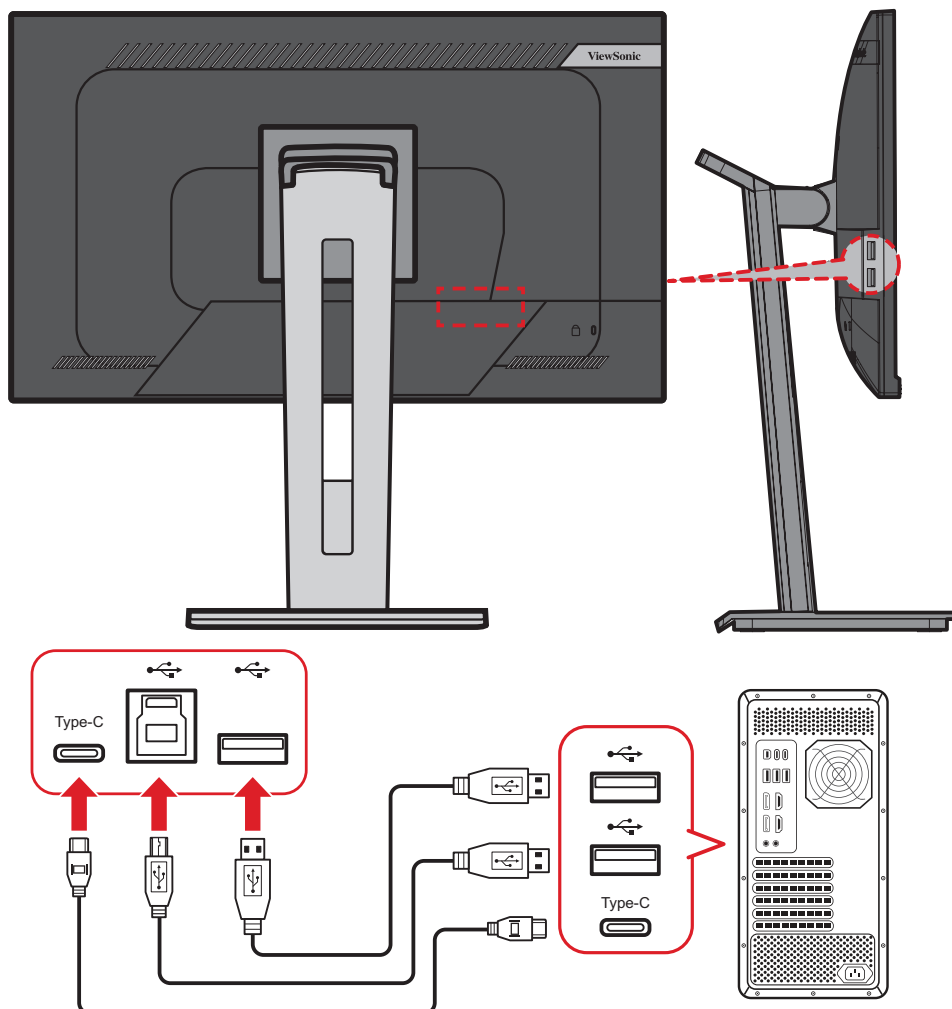
- DisplayPort 1.2 MST must be turned on in the **Setup Menu** in the OSD Menu to enable daisy chaining.
- If **High Data Speed** is selected, it will prioritize high speed data transfer and Ethernet. MST will only support 2560 x 1440 @30Hz (maximum).
- If **High Resolution** is selected, MST can support 2560 x 1440 @60Hz, but data transfer and Ethernet speed will be limited to USB 2.0 standards due to bandwidth limitation.
- If the input source changes to HDMI, DisplayPort 1.2 MST will turn off automatically.

## USB Connection

Connect one end of a USB cable to a USB port of the monitor. Then connect the other end of the cable to a USB port of your computer.

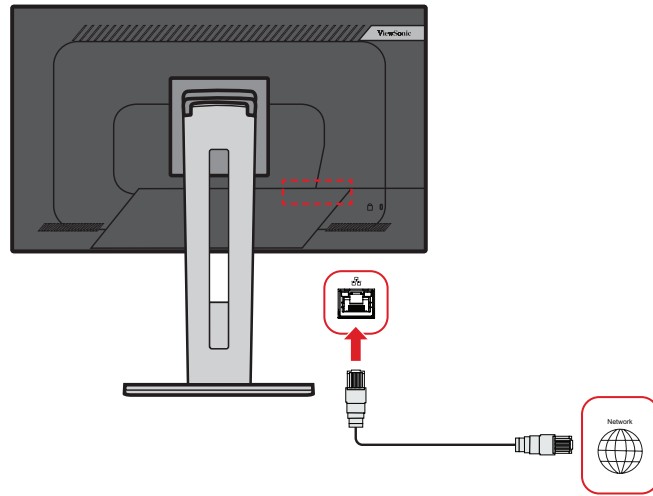
**NOTE:** The monitor supports three (3) types of USB ports. When making the connection(s), observe the following guidelines:

- Two (2) USB Type-A ports: Connection for your Type A peripheral device(s). (e.g. storage device).
  - » **NOTE:** To activate the USB Type A port, ensure your computer is also connected to the monitor's USB Type B port.
- One (1) USB Type-B port: Connect the USB Type B male cable (square with 2 cut corners) to this port, and then connect the other end of the cable to the USB downstream port of your computer.
- One (1) USB Type-C port: Make sure your Type-C output device and cable support video signal transmission.
  - » **NOTE:** The USB Type-C port supports the following charging specifications: 5V/3A, 9V/3A, 12V/3A, 15V/3A, 20V/4.9A (LPS).



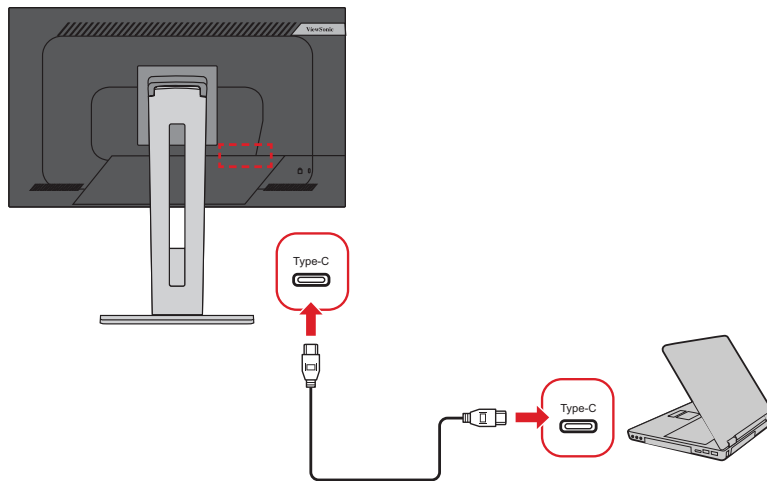
## Ethernet Connection

Connect one end of your LAN (RJ45) cable to the LAN (RJ45) port of the monitor. Then connect the other end to your network.



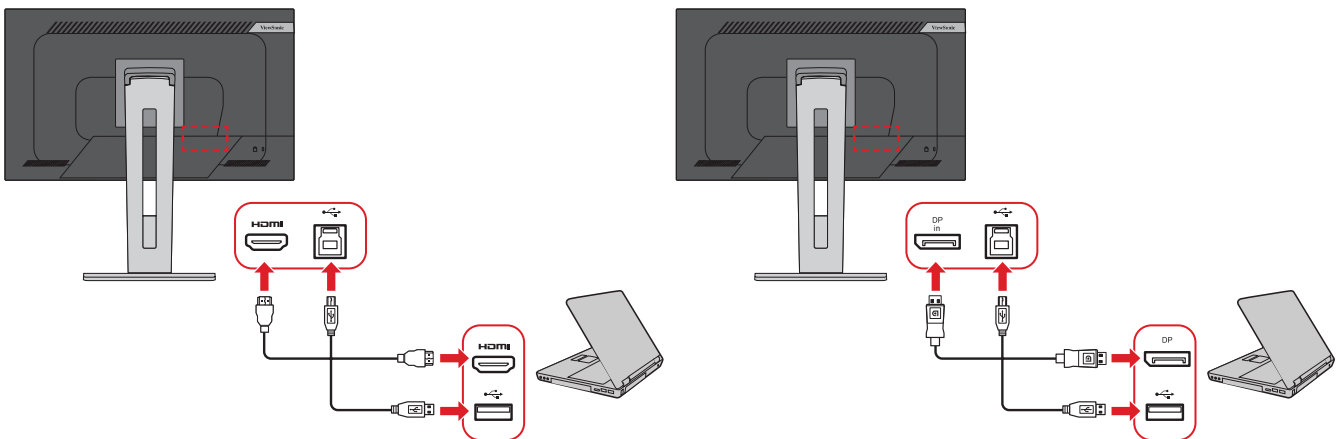
Next, you must connect your computer to the monitor by either:

- Type-C connection:



Or, by:

- HDMI and USB Upstream **or**
- DisplayPort and USB Upstream



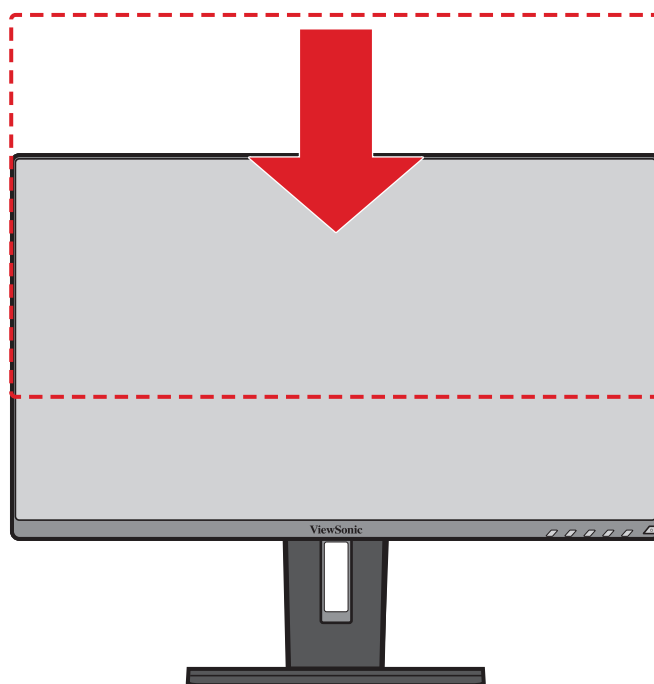
# Using the Monitor

## Adjusting the Viewing Angle

For optimal viewing, you can adjust the viewing angle using any of the following methods:

### Height Adjustment

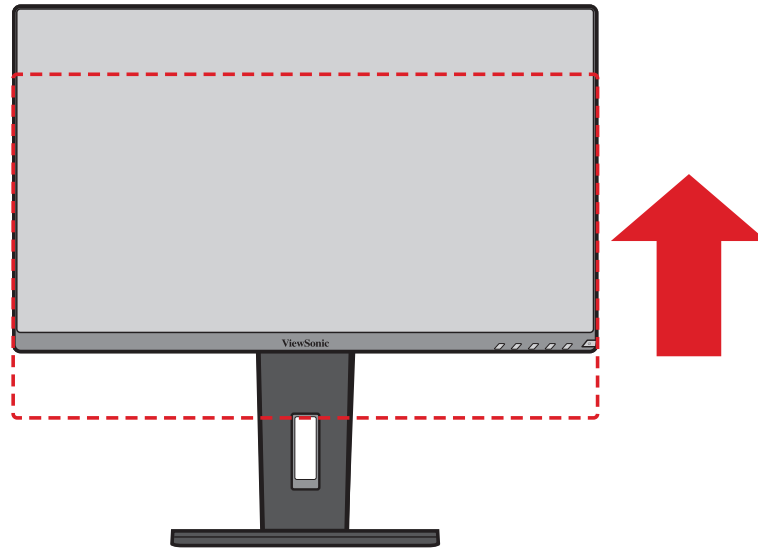
Lower or raise the monitor to the desired height (0 to 130 mm).



**NOTE:** When adjusting, press down firmly along the adjustment track.

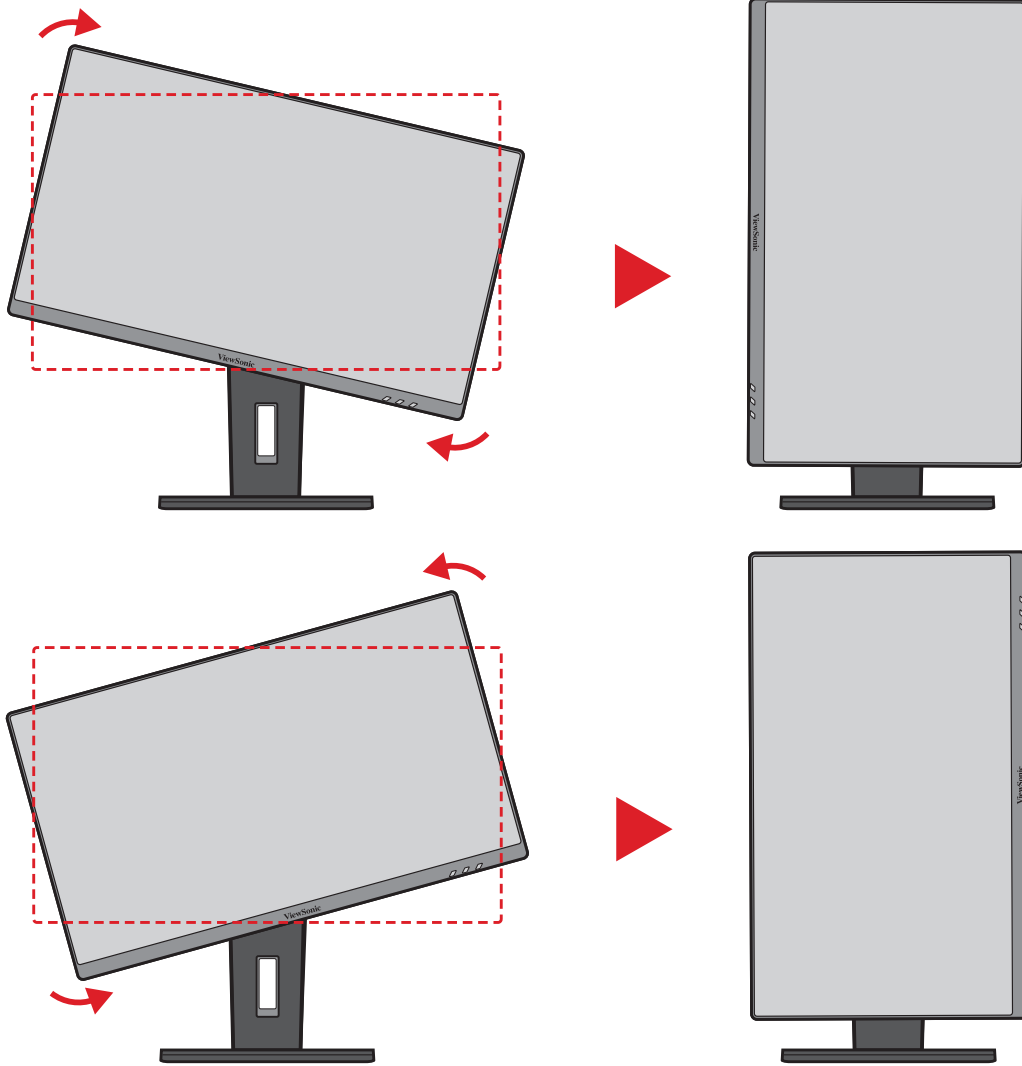
## Screen Orientation Adjustment (Monitor Pivot)

1. Adjust the monitor height to the highest position. Then tilt the monitor backwards to the full tilt position.





2. Rotate the monitor 90° clockwise or counterclockwise from landscape to portrait orientation.

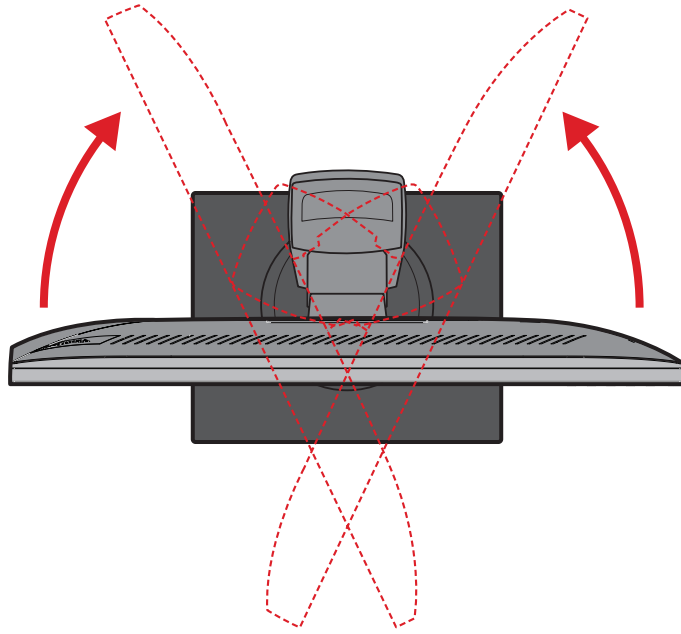


**NOTE:**

- To rotate the screen image, manually change the system's display orientation settings.
- When adjusting, make sure to hold both sides of your monitor firmly with both hands.

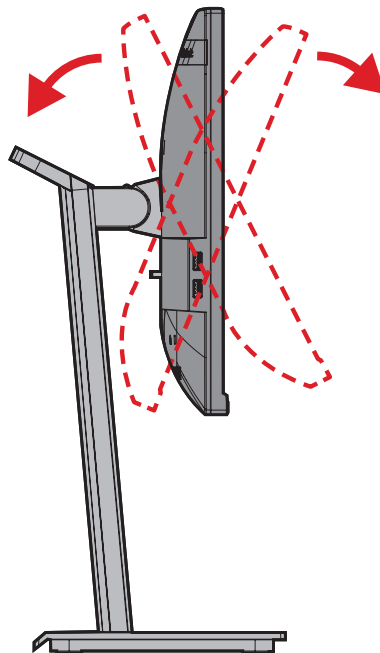
## Swivel Angle Adjustment

Swivel the monitor to the left or right for the desired viewing angle (60°).



## Tilt Angle Adjustment

Tilt the monitor forwards or backwards to the desired viewing angle (-5° to 40°).

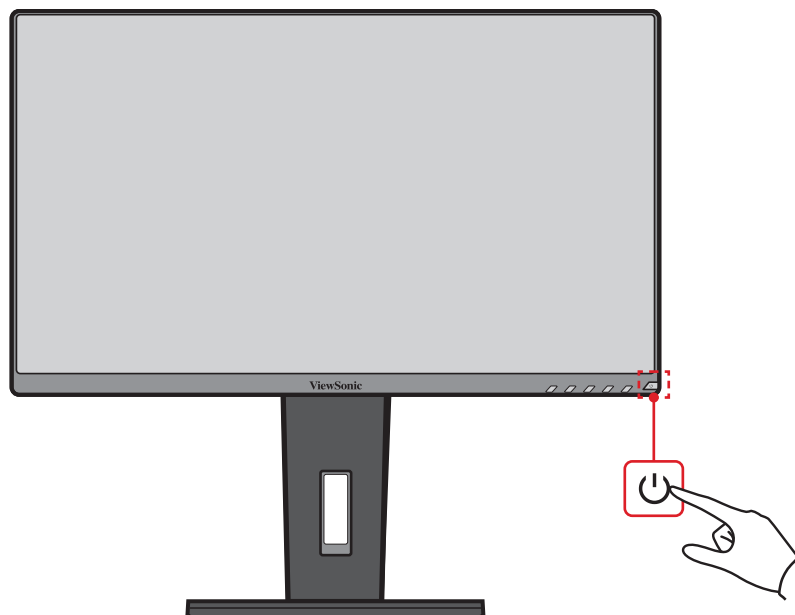


### NOTE:

- When adjusting, support the stand firmly with one hand while tilting the monitor forwards or backwards with the other hand.
- The monitor must be lifted to the highest position, then it can support 40° tilt.

## Turning the Device On/Off

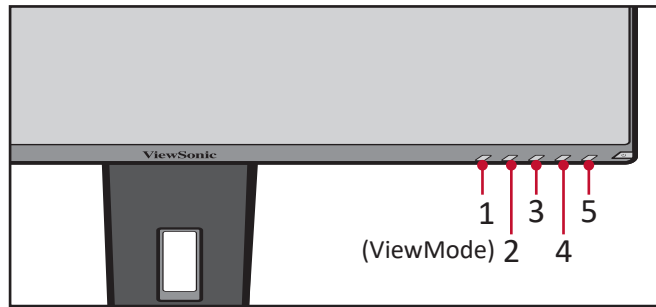
1. Plug the power cord into a power outlet.
2. Press the **Power** button to turn on the monitor.
3. To turn the monitor off, press the **Power** button again.



**NOTE:** The monitor will still consume some power as long as the power cord is connected to the power outlet. If the monitor is not being used for a long period of time, please disconnect the power plug from the power outlet.

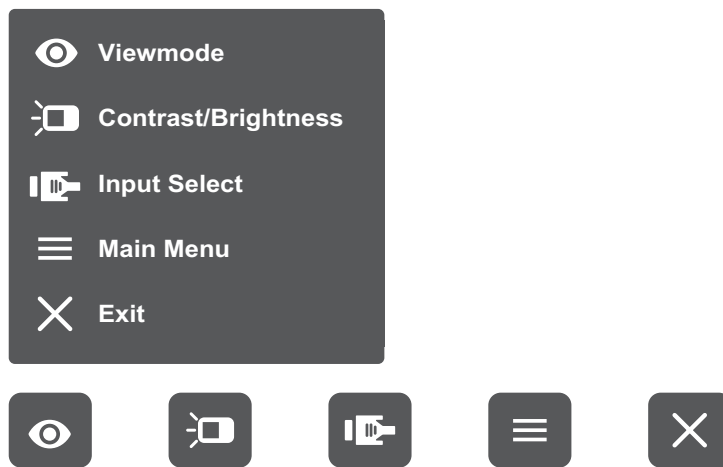
# Using the Control Panel Keys

Use the control panel keys to access the Quick Menu, activate Hot Keys, navigate the On-Screen Display (OSD) Menu, and change the settings.



## Quick Menu

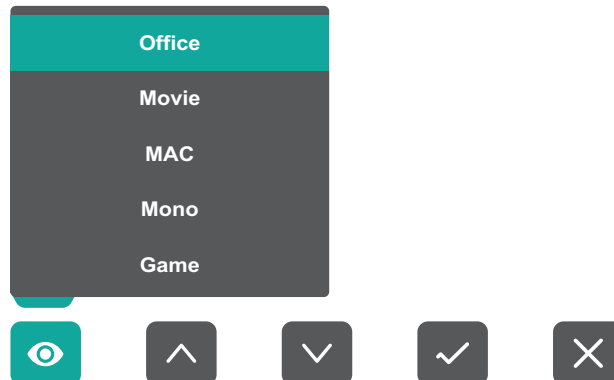
Press the **2/3/4/5** key to activate the Quick Menu.



**NOTE:** Follow the key guide that appears on the bottom of the screen to select the option or make adjustments.

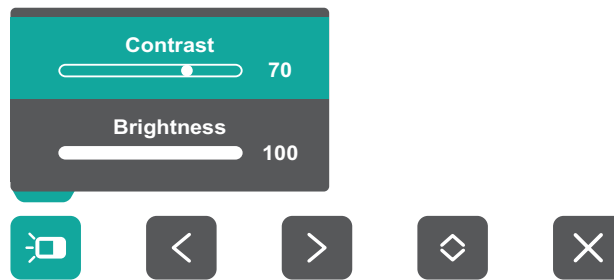
## ViewMode

Select one of the preset color settings.



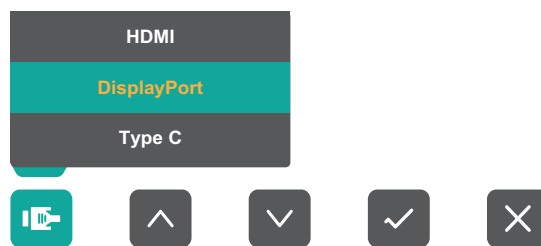
## Contrast/Brightness

Adjust the contrast or brightness level.



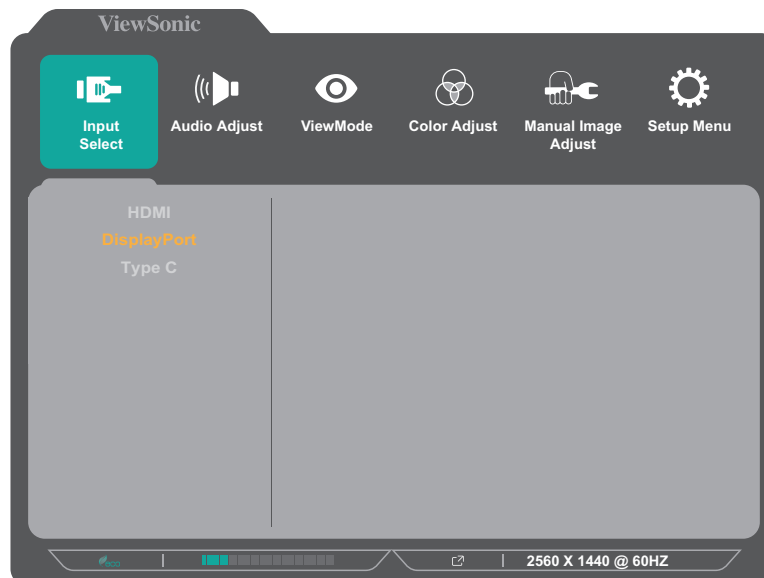
## Input Select

Select the input source.



## Main Menu

Enter the On-Screen Display (OSD) Menu.

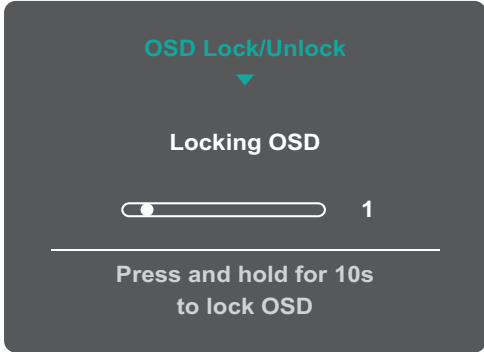



## Exit

Exit the Quick Menu.

## Hot Keys

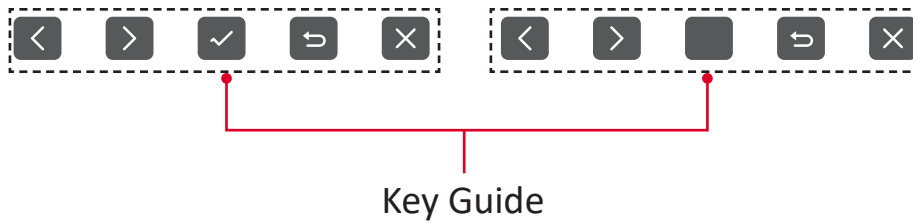
When the On-Screen Display (OSD) Menu is off, you can quickly access special functions by using the control panel keys.

| Key   | Description   |
|-------|---|
| 2 + 3 | <p>Press and hold the keys to lock/unlock the OSD Menu.<br/>When the menu appears on the screen, continue holding both keys for 10 seconds to lock/unlock the OSD Menu.</p>  <p>If the OSD Menu is locked, the below message will appear on the screen:</p>  |

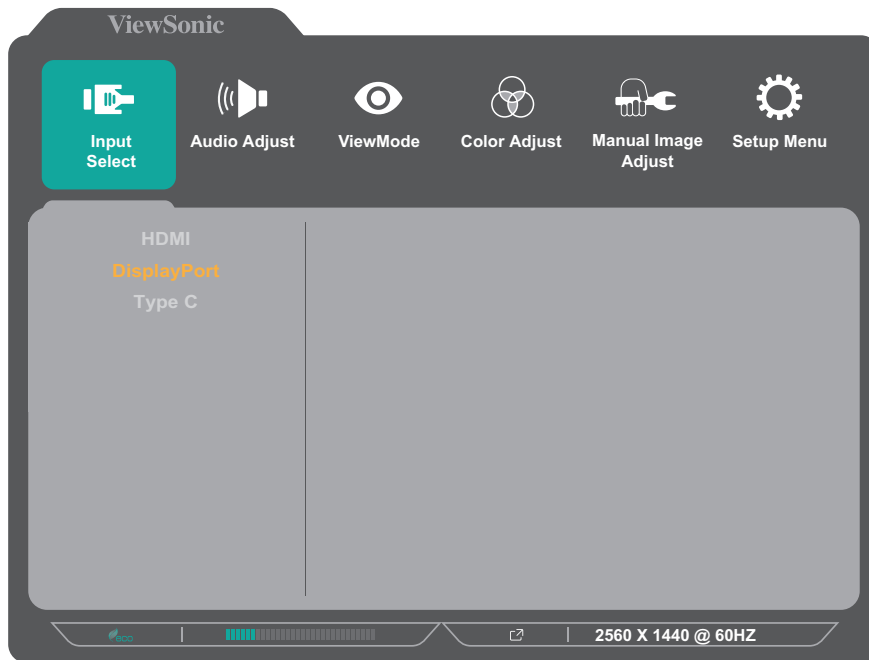
| Key                 | Description  |
|---------------------|--|
| <p><b>2 + 4</b></p> | <p>Press and hold the keys to lock/unlock the <b>Power</b> button.<br/>When the menu appears on the screen, continue holding both keys for 10 seconds to lock/unlock the <b>Power</b> button.</p> <div data-bbox="655 347 1141 696" data-label="Image"> </div> <p>If the <b>Power</b> button is locked, the below message will appear on the screen:</p> <div data-bbox="655 831 1141 1180" data-label="Image"> </div> |
| <p><b>3 + 5</b></p> | <p>Press the keys to display/hide the boot up screen when the device is turned on.</p> <div data-bbox="665 1314 1133 1650" data-label="Image"> </div>  |

# Configuring the Settings

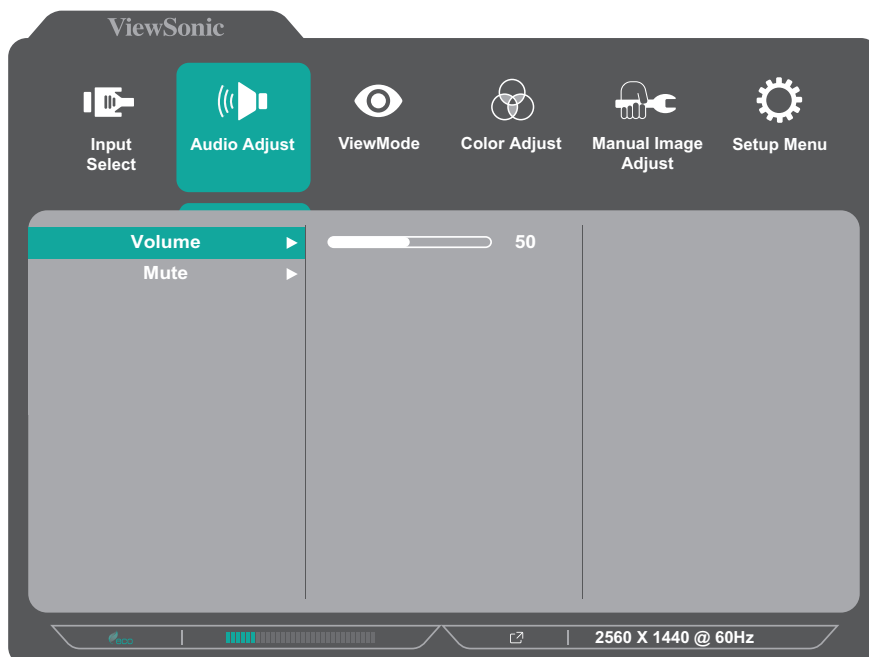
## General Operations



1. Press the **2/3/4/5** key to display the Quick Menu. Then press the **4** key to display the OSD Menu.

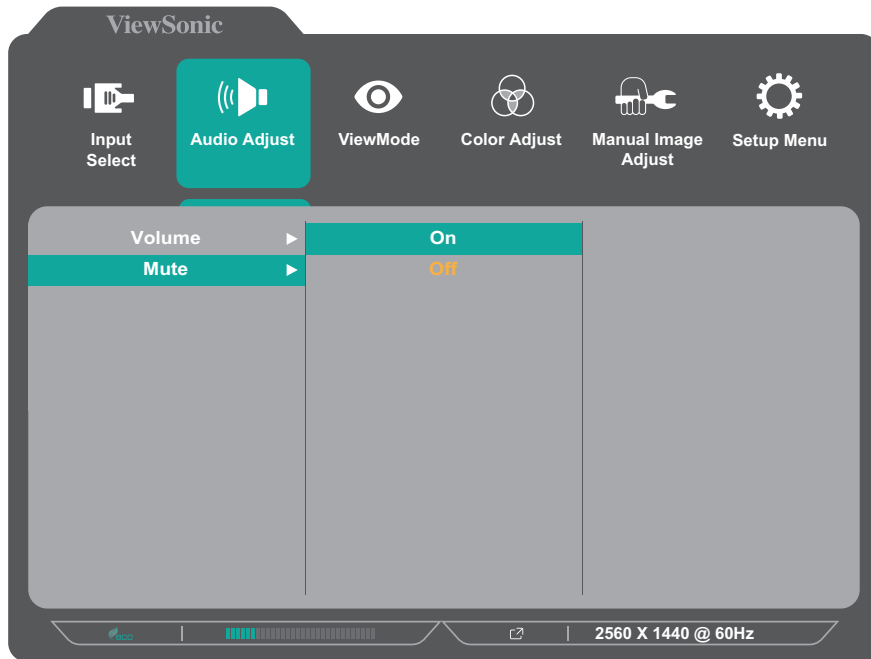


2. Press the **1(ViewMode)** or **2** key to select the main menu. Then press the **3** key to enter the selected menu.

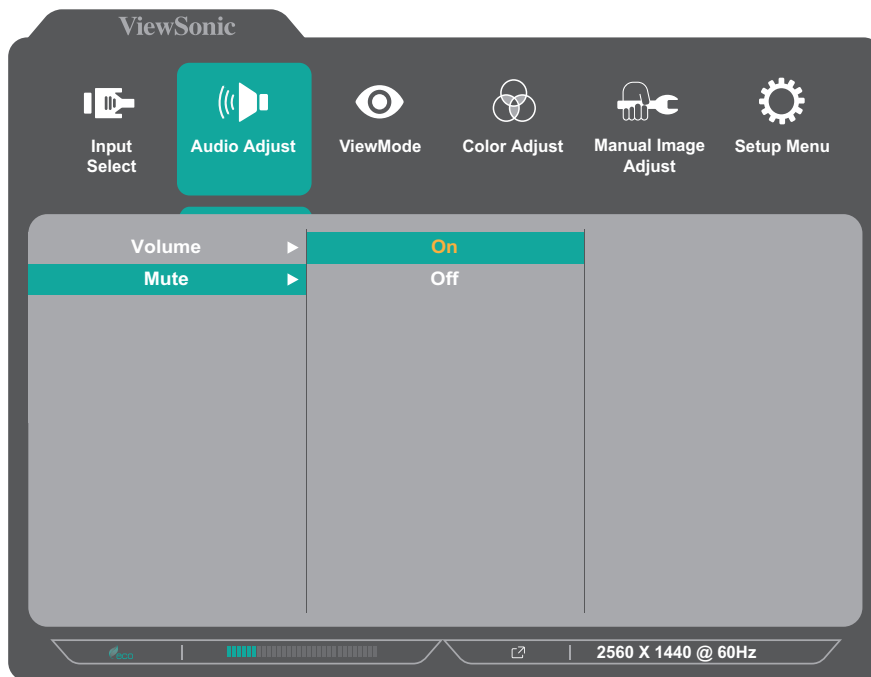




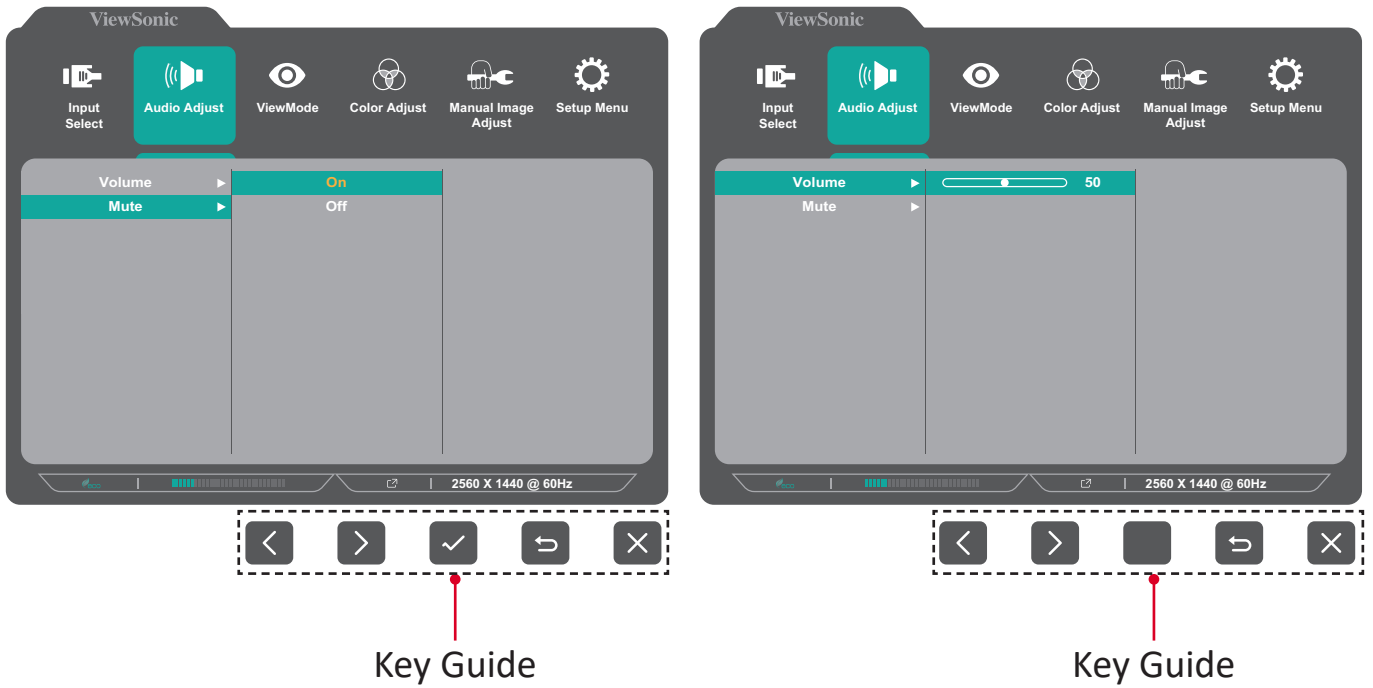
3. Press the **1(ViewMode)** or **2** key to select the desired menu option. Then press the **3** key to enter the sub-menu.



4. Press the **1(ViewMode)** or **2** key to adjust/select the setting. Then press the **3** key to confirm.



**NOTE:** Certain menu option adjustments do not require the user to press the **3** key to confirm the selection. Follow the key guide that appears on the bottom of the screen to select the option or make adjustments.



5. Press the **4** key to return to the previous menu.

**NOTE:** To exit the OSD Menu, press the **4** key until the OSD Menu disappears.

## On-Screen Display (OSD) Menu Tree

| Main Menu    | Sub-menu    | Menu Option  |               |                       |   |  |
|--------------|-------------|--------------|---------------|-----------------------|---|--|
| Input Select | HDMI        |              |               |                       |   |  |
|              | DisplayPort |              |               |                       |   |  |
|              | Type C      |              |               |                       |   |  |
| Audio Adjust | Volume      | (-/+, 0~100) |               |                       |   |  |
|              | Mute        | On           |               |                       |   |  |
|              |             | Off          |               |                       |   |  |
| ViewMode     | Off         |              |               |                       |   |  |
|              | Office      | CUSTOM 1/2/3 | Web           |                       |   |  |
|              |             |              | Text          |                       |   |  |
|              |             | CUSTOM 1/2/3 | Low Input Lag | On/Off                |   |  |
|              |             |              |               | Black Stabilization   | (-/+, 0/10/20/30/40/50/60/70/80/90/100) |  |
|              |             |              | Advanced DCR  | (-/+, 0/25/50/75/100) |   |  |
|              |             |              | Response Time | Standard              |   |  |
|              |             |              |               | Advanced              |   |  |
|              |             |              |               | Ultra Fast            |   |  |
|              |             |              | Hue           | Red                   | (-/+, 0~100)                            |  |
|              |             |              |               | Green                 | (-/+, 0~100)                            |  |
|              |             |              |               | Blue                  | (-/+, 0~100)                            |  |
|              |             |              |               | Cyan                  | (-/+, 0~100)                            |  |
|              |             |              |               | Magenta               | (-/+, 0~100)                            |  |
|              |             |              |               | Yellow                | (-/+, 0~100)                            |  |
|              |             |              | Saturation    | Red                   | (-/+, 0~100)                            |  |
|              |             |              |               | Green                 | (-/+, 0~100)                            |  |
|              |             |              |               | Blue                  | (-/+, 0~100)                            |  |
|              |             |              |               | Cyan                  | (-/+, 0~100)                            |  |
|              |             |              |               | Magenta               | (-/+, 0~100)                            |  |
|              | Yellow      | (-/+, 0~100) |               |                       |   |  |
|              | Rename      |              |               |                       |   |  |
|              | Recall      |              |               |                       |   |  |
| Movie        |             |              |               |                       |   |  |
| MAC          |             |              |               |                       |   |  |
| Mono         |             |              |               |                       |   |  |
| Game         | FPS 1       |              |               |                       |   |  |
|              | FPS 2       |              |               |                       |   |  |
|              | RTS         |              |               |                       |   |  |
|              | MOBA        |              |               |                       |   |  |

| Main Menu              | Sub-menu                | Menu Option   |               |               |
|------------------------|-------------------------|---------------|---------------|---------------|
| Color Adjust           | Contrast/<br>Brightness | Contrast      | (-/+ , 0~100) |               |
|                        |                         | Brightness    | (-/+ , 0~100) |               |
|                        | Color<br>Temperature    | Bluish        |               |               |
|                        |                         | Cool          |               |               |
|                        |                         | Native        |               |               |
|                        |                         | Warm          |               |               |
|                        |                         | User Color    | Red           | (-/+ , 0~100) |
|                        | Green                   |               | (-/+ , 0~100) |               |
|                        | Blue                    |               | (-/+ , 0~100) |               |
|                        | Color Space             | Auto          |               |               |
|                        |                         | RGB           |               |               |
|                        |                         | YUV           |               |               |
|                        | Color Range             | Auto          |               |               |
|                        |                         | Full Range    |               |               |
|                        |                         | Limited Range |               |               |
|                        | Gamma                   | 1.8           |               |               |
|                        |                         | 2.0           |               |               |
| 2.2                    |                         |               |               |               |
| 2.4                    |                         |               |               |               |
| 2.6                    |                         |               |               |               |
| 2.8                    |                         |               |               |               |
| Manual Image<br>Adjust | Sharpness               | (-/+ , 0~100) |               |               |
|                        | Aspect Ratio            | 4:3           |               |               |
|                        |                         | Full Screen   |               |               |
|                        | Overscan                | On            |               |               |
|                        |                         | Off           |               |               |
| Blue Light Filter      | (-/+ , 0~100)           |               |               |               |

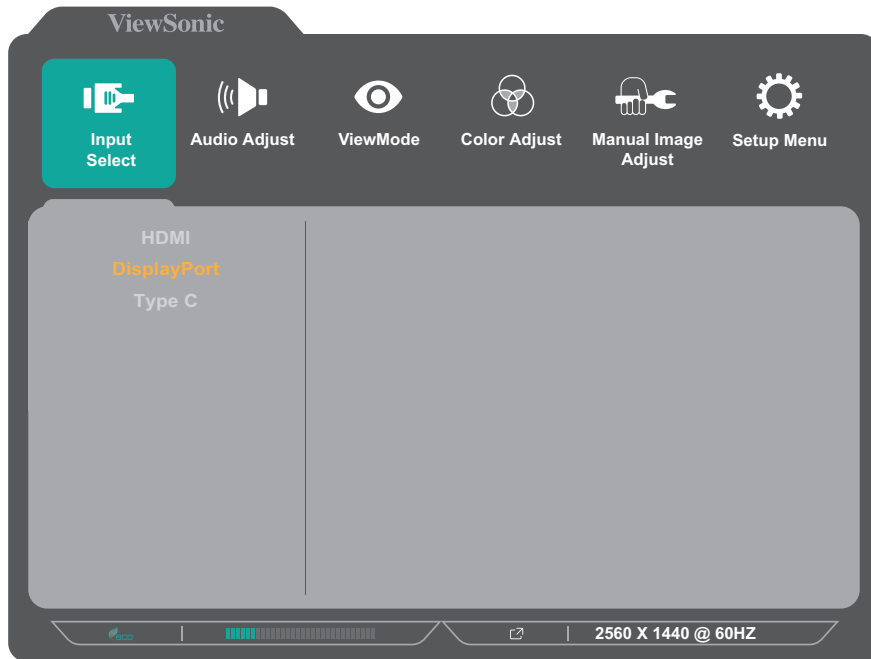
| Main Menu  | Sub-menu          | Menu Option           |  |
|------------|-------------------|-----------------------|--|
| Setup Menu | Language          | English               |  |
|            |                   | Français              |  |
|            |                   | Deutsch               |  |
|            |                   | Español               |  |
|            |                   | Italiano              |  |
|            |                   | Suomi                 |  |
|            |                   | Русский               |  |
|            |                   | Türkçe                |  |
|            |                   | 日本語                   |  |
|            |                   | 한국어                   |  |
|            |                   | 繁體中文                  |  |
|            |                   | 简体中文                  |  |
|            |                   | Česká                 |  |
|            |                   | Svenska               |  |
|            | Resolution Notice | On                    |  |
|            |                   | Off                   |  |
|            | Information       |                       |  |
|            | OSD Timeout       | (-/+ ,<br>5/15/30/60) |  |
|            | OSD Background    | On                    |  |
|            |                   | Off                   |  |
|            | OSD Pivot         | 0°                    |  |
|            |                   | +90°                  |  |
|            |                   | -90°                  |  |
|            | Power Indicator   | On                    |  |
|            |                   | Off                   |  |
|            | Auto Power Off    | On                    |  |
|            |                   | Off                   |  |
|            | Sleep             | 30 Minutes            |  |
|            |                   | 45 Minutes            |  |
|            |                   | 60 Minutes            |  |
|            |                   | 120 Minutes           |  |
|            |                   | Off                   |  |
| ECO Mode   | Standard          |                       |  |
|            | Optimize          |                       |  |
|            | Conserve          |                       |  |
|            | USB Charging      | On                    |  |
| Off        |                   |                       |  |

| Main Menu  | Sub-menu                 | Menu Option     |  |
|------------|--------------------------|-----------------|--|
| Setup Menu | DisplayPort 1.2<br>MST   | On              |  |
|            |                          | Off             |  |
|            | Type C<br>Prioritization | High Data Speed |  |
|            |                          | High Resolution |  |
|            | DDC/CI                   | On              |  |
|            |                          | Off             |  |
|            | Auto Detect              | On              |  |
|            |                          | Off             |  |
|            | All Recall               |                 |  |

## Menu Options

### Input Select

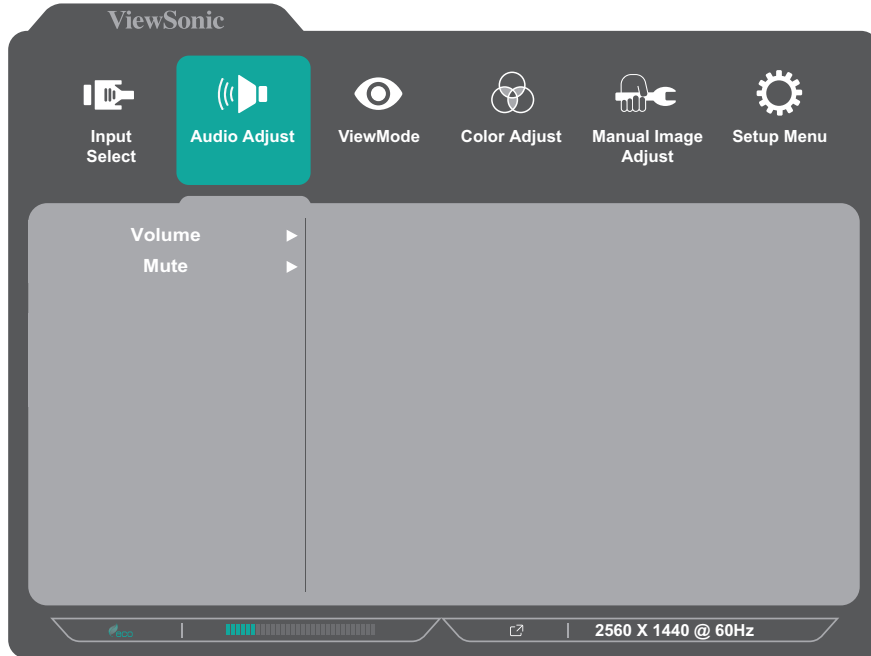
1. Press the **2/3/4/5** key to display the Quick Menu. Then press the **4** key to display the OSD Menu.
2. Press the **1(ViewMode)** or **2** key to select **Input Select**. Then press the **3** key to enter the **Input Select** menu.



3. Press the **1(ViewMode)** or **2** key to select the desired input source. Then press the **3** key to confirm the selection.

## Audio Adjust

1. Press the **2/3/4/5** key to display the Quick Menu. Then press the **4** key to display the OSD Menu.
2. Press the **1(ViewMode)** or **2** key to select **Audio Adjust**. Then press the **3** key to enter the **Audio Adjust** menu.



3. Press the **1(ViewMode)** or **2** key to select the menu option. Then press the **3** key to enter its sub-menu.
4. Press the **1(ViewMode)** or **2** key to adjust/select the setting. Then press the **3** key to confirm (if applicable).

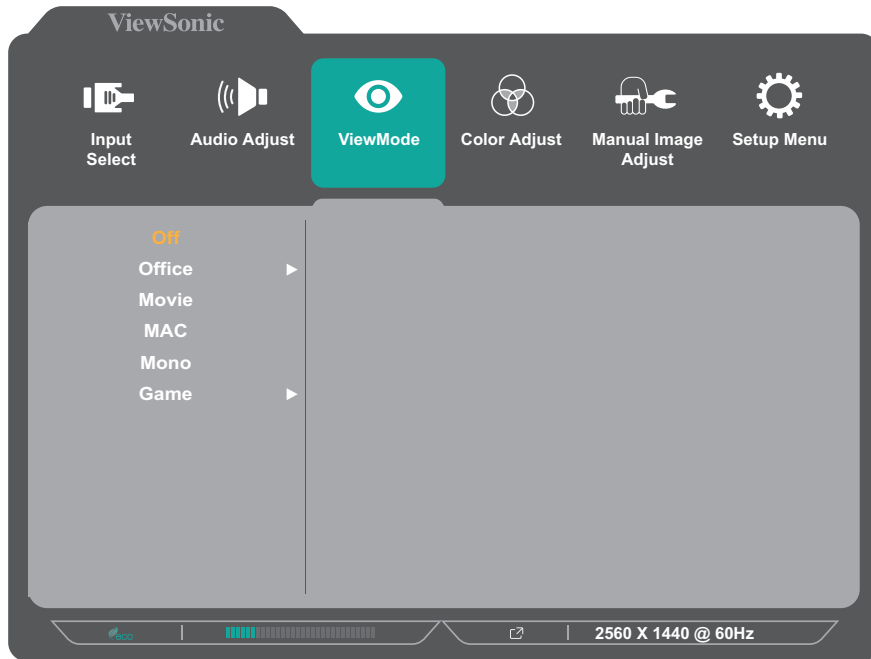
| Menu Option | Description   |
|-------------|---|
| Volume      | Adjust the volume level.                              |
| Mute        | Enable this option to temporarily turn off the sound. |



## ViewMode

**NOTE:** The ViewMode can also be adjusted with the **1(ViewMode)** key on the control panel.

1. Press the **2/3/4/5** key to display the Quick Menu. Then press the **4** key to display the OSD Menu.
2. Press the **1(ViewMode)** or **2** key to select **ViewMode**. Then press the **3** key to enter the **ViewMode** menu.



3. Press the **1(ViewMode)** or **2** key to select the setting. Then press the **3** key to confirm the selection.

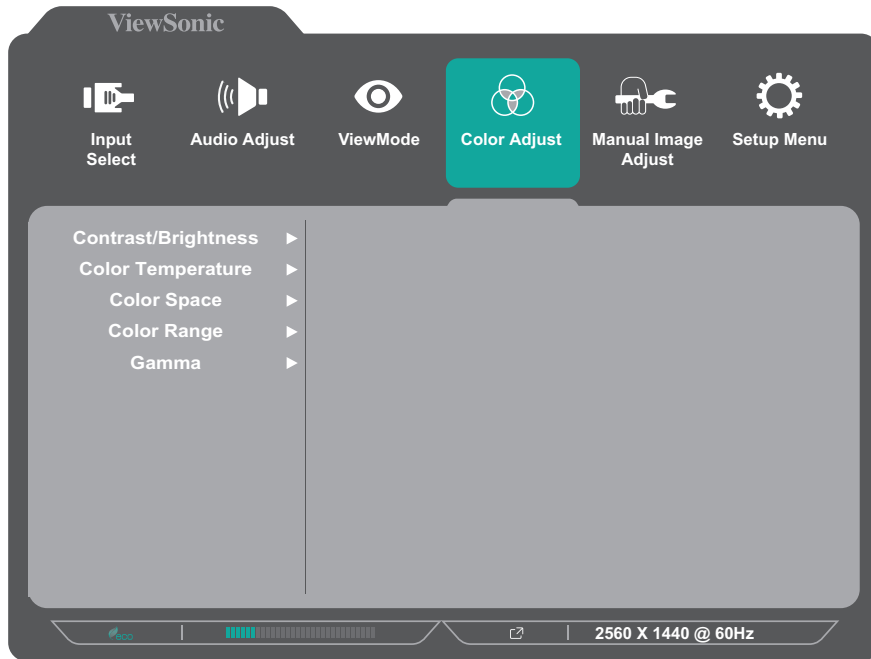
**NOTE:** Some sub-menu options may have another sub-menu. To enter the respective sub-menu, press the **3** key. Follow the key guide that appears on the bottom of the screen to select the option or make adjustments.

| Menu Option | Description  |
|-------------|--|
| Off         | Disable the function.  |
| Office      | Select this option for office applications.                        |
| Movie       | Select this option for watching movies.                            |
| MAC         | Select this option when connecting the monitor with Mac computers. |
| Mono        | Select this option for monochrome.                                 |
| Game        | Select this option for playing games.                              |

## Color Adjust

**NOTE:** Some sub-menus may not be adjustable depending on the user's custom settings.

1. Press the **2/3/4/5** key to display the Quick Menu. Then press the **4** key to display the OSD Menu.
2. Press the **1(ViewMode)** or **2** key to select **Color Adjust**. Then press the **3** key to enter the **Color Adjust** menu.



3. Press the **1(ViewMode)** or **2** key to select the menu option. Then press the **3** key to enter its sub-menu.
4. Press the **1(ViewMode)** or **2** key to select the setting. Then press the **3** key to confirm the selection.

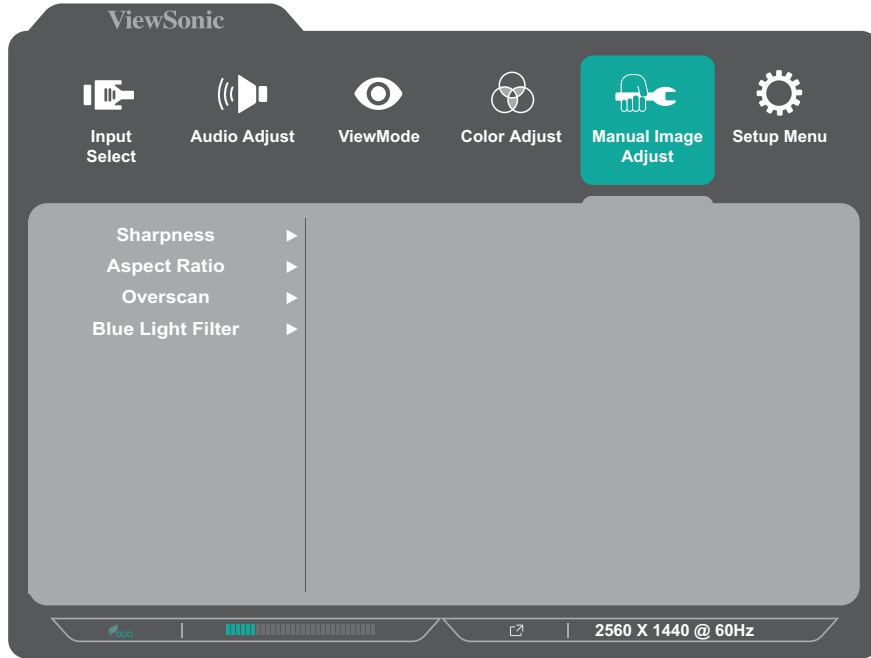
**NOTE:** Some sub-menu options may have another sub-menu. To enter the respective sub-menu, press the **3** key. Follow the key guide that appears on the bottom of the screen to select the option or make adjustments.

| Menu Option             | Description   |
|-------------------------|---|
| Contrast/<br>Brightness | <u>Contrast</u><br>Adjust the degree of difference between the lightest and darkest parts of the picture and change the amount of black and white in the image.<br><u>Brightness</u><br>Adjust the background black levels of the screen image. |

| Menu Option       | Description   |
|-------------------|---|
| Color Temperature | <p>Select the color temperature setting.</p> <ul style="list-style-type: none"> <li>• Bluish: Set the color temperature to 9300K.</li> <li>• Cool: Set the color temperature to 7500K</li> <li>• Native: Default color temperature. Recommended for regular use.</li> <li>• Warm: Set the color temperature to 5000K.</li> <li>• User Color: Adjust red, green, and blue values as desired.</li> </ul>  |
| Color Space       | <p>Allows users to choose which color space they would like to use for monitor color output.</p> <ul style="list-style-type: none"> <li>• Auto: Automatically recognizes the color format and black and white levels.</li> <li>• RGB: The input signal color format is RGB.</li> <li>• YUV: The input signal color format is YUV.</li> </ul>  |
| Color Range       | <p>The monitor can detect the input signal color range automatically. You can manually change the color range options to fit the correct color range if the colors are not displayed correctly.</p> <ul style="list-style-type: none"> <li>• Auto: Automatically recognizes the color format and black and white levels.</li> <li>• Full Range: Black and white levels are full.</li> <li>• Limited Range: Black and white levels are limited.</li> </ul> |
| Gamma             | <p>Manually adjust the brightness level of the monitor's grayscale levels.</p>  |

## Manual Image Adjust

1. Press the **2/3/4/5** key to display the Quick Menu. Then press the **4** key to display the OSD Menu.
2. Press the **1(ViewMode)** or **2** key to select **Manual Image Adjust**. Then press the **3** key to enter the **Manual Image Adjust** menu.



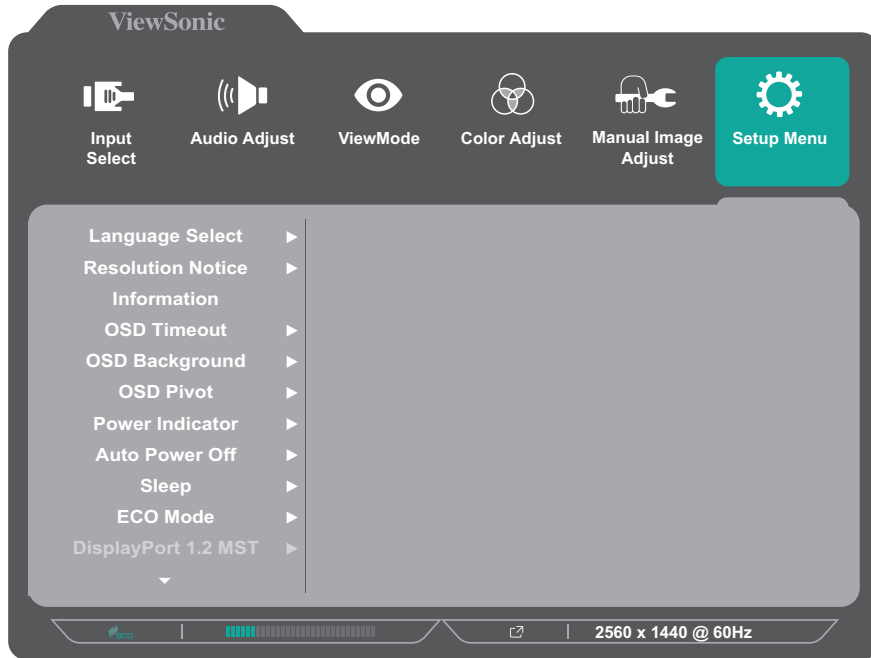
3. Press the **1(ViewMode)** or **2** key to select the menu option. Then press the **3** key to enter its sub-menu.
4. Press the **1(ViewMode)** or **2** key to adjust/select the setting. Then press the **3** key to confirm (if applicable).

| Menu Option       | Description  |
|-------------------|--|
| Sharpness         | Adjust the sharpness and picture quality of the monitor.   |
| Aspect Ratio      | Select the aspect ratio of the monitor.  |
| Overscan          | Enable this option to automatically enlarge the original picture horizontally and vertically to an equal aspect ratio that fills the screen. |
| Blue Light Filter | Adjust the filter that blocks high-energy blue light for a more comfortable viewing experience.  |

**NOTE:** Some options are only available for analog input signals.

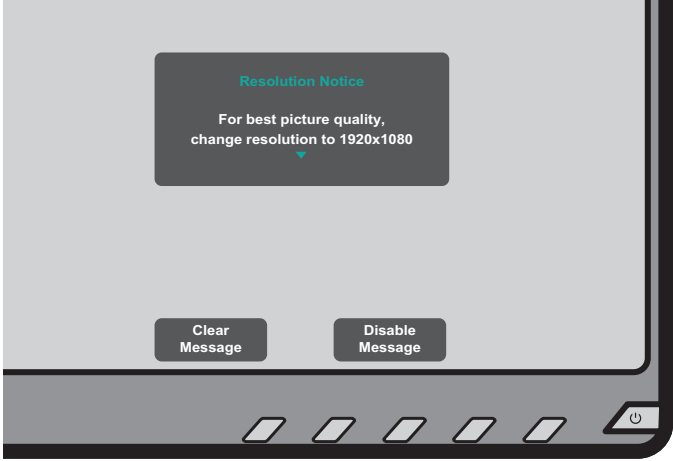
## Setup Menu

1. Press the **2/3/4/5** key to display the Quick Menu. Then press the **4** key to display the OSD Menu.
2. Press the **1(ViewMode)** or **2** key to select **Setup Menu**. Then press the **3** key to enter the **Setup Menu** menu.



3. Press the **1(ViewMode)** or **2** key to select the menu option. Then press the **3** key to enter its sub-menu.
4. Press the **1(ViewMode)** or **2** key to select the setting. Then press the **3** key to confirm the selection.

**NOTE:** Some sub-menu options may have another sub-menu. To enter the respective sub-menu, press the **3** key. Follow the key guide that appears on the bottom of the screen to select the option or make adjustments.

| Menu Option       | Description  |
|-------------------|--|
| Language          | Select an available language for the OSD Menu.   |
| Resolution Notice | <p>Enable this option to allow the system to inform users that the current viewing resolution is not the correct native resolution.</p>  <p>Press the <b>1(ViewMode)</b> key to hide the message or press the <b>3</b> key to disable this function.</p> |
| Information       | Display the monitor information.   |
| OSD Timeout       | Set the length of time the OSD Menu remains on the screen.   |
| OSD Background    | Show/Hide the OSD background when the OSD Menu appears on the screen.  |
| OSD Pivot         | <p>Set the OSD Menu orientation.</p> <ul style="list-style-type: none"> <li>• 0°: Sets the OSD Menu without a pivot.</li> <li>• +90°: Sets the OSD Menu with a +90° pivot.</li> <li>• -90°: Sets the OSD Menu with a -90° pivot.</li> </ul>  |
| Power Indicator   | Set the power indicator on or off. If the setting is set to <b>On</b> , the power indicator lights blue when the device is turned on.  |
| Auto Power Off    | Enable this option to allow the monitor to automatically turn off after a certain amount of time.  |
| Sleep             | Set the amount of idle time before the monitor enters <i>Sleep mode</i> .  |

| <b>Menu Option</b>  | <b>Description</b>   |
|---------------------|--|
| ECO Mode            | Choose between various modes, based on power consumption.                        |
| DisplayPort 1.2 MST | Enable/Disable DisplayPort 1.2 MST support and select USB Type C prioritization. |
| DDC/CI              | Enable this option to allow the monitor control via the graphics card.           |
| Auto Detect         | Automatically detect the input signal.   |
| All Recall          | Resets all settings to their default values.                                     |

# Appendix

## Specifications

| Item          | Category      | Specifications   |
|---------------|---------------|--|
| LCD           | Type          | a-Si TFT active matrix<br>2560 x 1440 LCD<br>0.233 (H)mm x 0.233 (V)mm pixel pitch |
|               | Display Size  | 68.6 cm (27" viewable)   |
|               | Color Filter  | RGB vertical stripe  |
|               | Glass Surface | Anti-Glare (Haze 25%), Hard Coating (3H)   |
| Input Signal  | Video Sync    | <u>TMDS digital (100 Ω)</u><br>$f_h$ : 15-90 kHz, $f_v$ : 49-75 Hz                 |
| Compatibility | PC            | Up to 2560 x 1440  |
|               | Macintosh     | Up to 2560 x 1440  |
|               | Recommended   | 2560 x 1440 @ 60Hz   |



| Item                    | Category             | Specifications   |
|-------------------------|----------------------|--|
| Resolution <sup>1</sup> | Supported            | 2560 x 1440 @ 60Hz<br>2048 x 1152 @ 60Hz<br>1920 x 1440 @ 60Hz<br>1920 x 1200 @ 60Hz<br>1920 x 1080 @ 50, 60Hz<br>1680 x 1050 @ 60Hz<br>1600 x 1200 @ 60Hz<br>1600 x 900 @ 60Hz<br>1440 x 900 @ 60, 75Hz<br>1440 x 576 @ 50Hz<br>1400 x 1050 @ 60, 75Hz<br>1366 x 768 @ 60Hz<br>1360 x 768 @ 60Hz<br>1280 x 1024 @ 50, 60, 75Hz<br>1280 x 960 @ 50, 60, 75Hz<br>1280 x 800 @ 60, 75Hz<br>1280 x 768 @ 50, 60, 75Hz<br>1280 x 720 @ 50, 60Hz<br>1152 x 900 @ 66Hz<br>1152 x 870 @ 75Hz<br>1152 x 864 @ 60, 75Hz<br>1024 x 768 @ 50, 60, 70, 72, 75Hz<br>1024 x 600 @ 60Hz<br>848 x 480 @ 60Hz<br>832 x 624 @ 75Hz<br>800 x 600 @ 56, 60, 72, 75Hz<br>720 x 576 @ 50Hz<br>720 x 480 @ 60Hz<br>720 x 400 @ 70Hz<br>640 x 480 @ 50, 60, 66, 72, 75Hz<br>640 x 400 @ 60, 70Hz<br>640 x 350 @ 70Hz |
| Power <sup>2</sup>      | Input Voltage        | AC 100-240 V, 50/60 Hz (auto switch)   |
| Display area            | Full Scan (H x V)    | 596.74 x 335.66 mm<br>(23.49" x 13.21")  |
| Operating conditions    | Temperature          | 0°C to 40°C (32°F to 104°F)  |
|                         | Humidity             | 20% to 90% (non-condensing)  |
|                         | Altitude             | Up to 16,404 feet (5 km)   |
| Storage conditions      | Temperature          | -20°C to 60°C (-4°F to 140°F)  |
|                         | Humidity             | 5% to 90% (non-condensing)   |
|                         | Altitude             | To 40,000 feet (12 km)   |
| Dimensions              | Physical (W x H x D) | 611.73 x 533.24 x 202.18 mm<br>(24.08" x 20.99" x 7.97")   |

| Item              | Category   | Specifications   |
|-------------------|------------|--|
| Wall Mount        | Dimensions | 100 x 100 mm   |
| Weight            | Physical   | 6.9 kg (15.21 lbs)   |
| Power Consumption | On         | 26.35W (Typical) (Blue LED)<br>67.03W (Max <sup>3</sup> ) (Blue LED) |
|                   | Off        | < 0.3W   |

<sup>1</sup> Do not set the graphics card in your computer to exceed these timing modes; doing so may result in permanent damage to the display.

<sup>2</sup> Please use the power adapter from ViewSonic® or an authorized source only.

<sup>3</sup> Maximum power consumption with max luminance, and USB/Speaker active. Without USB C power delivery.

**HDMI**™ HIGH-DEFINITION MULTIMEDIA INTERFACE The terms HDMI, HDMI High-Definition Multimedia Interface, HDMI trade dress and the HDMI Logos are trademarks or registered trademarks of HDMI Licensing Administrator, Inc.

# Glossary

This section describes the standard glossary of terms used in all LCD display models. All terms are listed in alphabetical order.

**NOTE:** Some terms may not be applicable to your device.

## **A** **Advanced DCR**

Advanced DCR technology automatically detects the image signal and intelligently controls the backlight brightness and color, to improve on the ability to make the black blacker in a dark scene, and make the white whiter in a bright environment.

## **All Recall**

Returns the adjustments back to factory settings if the display is operating in a factory Preset Timing Mode listed in the Specifications of this manual.

**NOTE:** (Exception) This control does not affect changes made with the “Language Select” or “Power Lock setting”.

## **Audio Adjust**

Adjusts the volume, mutes the sound, or toggles between inputs if you have more than one source.

## **Auto Detect**

If the current input source has no signal, the monitor will automatically switch to the next input option. This function on some models is disabled by default.

## **Auto Image Adjust**

Automatically adjusts the screen image for an ideal viewing experience.

## **B** **Black Stabilization**

ViewSonic’s Black stabilization provides heightened visibility and detail by brightening dark scenes.

## **Blue Light Filter**

Adjusts the filter that blocks high-energy blue light for a more comfortable viewing experience.

## **Brightness**

Adjusts background black levels of the screen image.

## C Color Range

The monitor can detect the input signal color range automatically. You can manually change the color range options to fit the correct color range if the colors are not displayed correctly.

| Options       | Description   |
|---------------|---|
| Auto          | The monitor automatically recognizes the color format and black and white levels. |
| Full Range    | The color range of black and white levels are full.                               |
| Limited Range | The color range of black and white levels are limited.                            |

## Color Space

Allows users to choose which color space they would like to use for monitor color output (RGB, YUV).

## Color Temperature

Allows users to select specific color temperature settings to further customize their viewing experience.

| Panel Default | Panel original status   |
|---------------|---|
| Bluish        | Set the color temperature to 9300K.   |
| Cool          | Set the color temperature to 7500K  |
| Native        | Native is a default color temperature.<br>Recommend for general graphic design and regular use. |
| Warm          | Set the color temperature to 5000K  |

## Contrast

Adjusts the difference between the image background (black level) and the foreground (white level).

## F Fine Tune

Improve distorted images caused by an analog signal.

## **G**

### **Game Mode**

Integrates a gaming-oriented On-Screen Display (OSD) design, including: pre-calibrated FPS, RTS, and MOBA gaming settings. Each mode is functionally customized with in-game testing and adjustments made for the best blend of color and technology.

### **Gamma**

Allows users to manually adjust the brightness level of the monitor's grayscale levels. There are six selections: 1.8, 2.0, 2.2, 2.4, 2.6 and 2.8.

## **H**

### **H./V. Position**

Manually adjust the screen image horizontally and/or vertically.

### **Horizontal Size**

Manually stretch or shorten the screen image on its horizontal axis.

### **Hue**

Adjusts the tint of each color (red, green, blue, cyan, magenta, and yellow).

## **I**

### **Information**

Displays the timing mode (video signal input) coming from the graphics card in the computer, the LCD model number, the serial number, and the ViewSonic® website URL. See your graphics card's user guide for instructions on changing the resolution and refresh rate (vertical frequency).

**NOTE:** VESA 1024 x 768 @ 60Hz (example) means that the resolution is 1024 x 768 and the refresh rate is 60 Hertz.

### **Input Select**

Toggles between the various input options that are available for the monitor.

## **L**

### **Low Input Lag**

ViewSonic® offers low input lag, utilizing a monitor process reducer, which decreases signal latency. Under the "Low Input Lag" sub-menu, you can select the appropriate speed for your desired use from the two options.

## **M** Manual Image Adjust

Displays the “Manual Image Adjust” menu. You can manually set a variety of image quality adjustments.

### **Memory Recall**

Returns the adjustments back to factory settings if the display is operating in a factory preset timing mode listed in the “Specifications” of this manual.

#### **NOTE:**

- (Exception) This control does not affect changes made in the “Language Select” or “Power Lock” setting.
- Memory Recall is the default as-shipped display configuration and settings. Memory Recall is the setting in which the product qualifies for ENERGY STAR®. Any changes to default as-shipped display configuration and settings would change the energy consumption, and may increase energy consumption beyond the limits required for ENERGY STAR® qualification, as applicable. ENERGY STAR® is a set of power-saving guidelines issued by the U.S. Environmental Protection Agency (EPA). ENERGY STAR® is a joint program of the U.S. Environmental Protection Agency and the U.S. Department of Energy helping us all save money and protect the environment through energy efficient products and practices.



## **O** OSD Pivot

Sets the monitor’s On-Screen Display (OSD) Menu display direction.

| <b>Options</b> | <b>Description</b>                   |
|----------------|--------------------------------------|
| 0°             | Sets the OSD Menu without a pivot.   |
| +90°           | Sets the OSD Menu with a +90° pivot. |
| -90°           | Sets the OSD Menu with a -90° pivot. |

### **Overscan**

Refers to a cropped image on your monitor’s screen. A setting on your monitor zooms in on movie content, so that you cannot see the outermost edges of the film.

**R** **Recall**  
Resets the ViewMode monitor settings.

**Resolution Notice**

The notice tells users that the current viewing resolution is not the correct native resolution. This notice will appear in the display settings window when setting up the display resolution.

**Response Time**

Adjusts the response time, creating smooth images without streaking, blurring or ghosting. A low response time is perfect for the most graphic-intensive gaming, and provides amazing visual quality while watching sports or action movies.

**RGB Color Space**

The most common color space for displays. Red, green, and blue light are added together to reproduce a broad array of colors.

**S** **Saturation**

Adjusts the color depth of each color (red, green, blue, cyan, magenta, and yellow).

**Setup Menu**

Adjusts On-Screen Display (OSD) settings. Many of these settings can activate on-screen display notifications so users do not have to reopen the menu.

**Sharpness**

Adjusts the picture quality of the monitor.

**V** **ViewMode**

ViewSonic®'s unique ViewMode feature offers "Game," "Movie," "Web," "Text," and "Mono" presets. These presets are specifically designed to deliver an optimized viewing experience for different screen applications.

**Y** **YUV Color Space**

YUV color space is used for color image and video processing; taking into account properties of the human eye that allow for reduced bandwidth of chroma components without perceptual distortion.

## Troubleshooting

This section describes some common problems that you may experience when using the monitor.

| Problem or Issue                                | Possible Solutions  |
|---|---|
| No power  | <ul style="list-style-type: none"><li>• Make sure you have turned on the monitor. Otherwise, touch the <b>Power</b> button to turn on the monitor.</li><li>• Make sure the power cord is properly and securely connected to the monitor.</li><li>• Plug another electrical device into the power outlet to verify that the outlet is supplying power.</li></ul> |
| Power is On, but no image appears on the screen | <ul style="list-style-type: none"><li>• Make sure the video cable connecting the monitor to the computer is properly and securely connected.</li><li>• Check for broken pins in the video cable connector.</li><li>• Adjust the brightness and contrast settings.</li><li>• Make sure the correct input source is selected.</li></ul>                           |
| Wrong or abnormal colors                        | <ul style="list-style-type: none"><li>• If any colors (red, green, or blue) are missing, check the video cable to make sure it is properly and securely connected. Loose or broken pins in the cable connector could cause an improper connection.</li><li>• Connect the monitor to another computer.</li></ul>   |
| Screen image is too light or dark               | <ul style="list-style-type: none"><li>• Adjust the brightness and contrast settings.</li><li>• Reset the monitor to factory settings.</li></ul>   |
| Screen image cuts in and out                    | <ul style="list-style-type: none"><li>• Make sure the video cable connecting the monitor to the computer is properly and securely connected.</li><li>• Make sure the correct input source is selected.</li><li>• Check for broken pins in the video cable connector.</li></ul>  |
| The screen image or text is blurred             | <ul style="list-style-type: none"><li>• Adjust the resolution to the correct Aspect Ratio.</li><li>• Reset the monitor to factory settings.</li></ul>   |
| The screen is not centered correctly            | <ul style="list-style-type: none"><li>• Adjust the resolution to the correct Aspect Ratio.</li><li>• Adjust the horizontal and vertical controls via the OSD Menu.</li><li>• Reset the monitor to factory settings.</li></ul>   |
| The screen appears yellow                       | <ul style="list-style-type: none"><li>• Make sure the “Blue Light Filter” is Off.</li></ul>   |



| Problem or Issue   | Possible Solutions   |
|--|--|
| The OSD Menu does not appear on the screen                       | <ul style="list-style-type: none"> <li>• Check whether the OSD Menu is locked.</li> <li>• Turn off the monitor, unplug the power cord, plug it back in, and then turn on the monitor.</li> <li>• Reset the monitor to factory settings.</li> </ul>   |
| The Quick Menu doesn't appear                                    | <ul style="list-style-type: none"> <li>• Restart the computer.</li> <li>• Turn off the monitor, unplug the power cord, plug it back in, and then turn on the monitor.</li> <li>• Reset the monitor to factory settings.</li> </ul>   |
| Some menus are not selectable in the OSD                         | <ul style="list-style-type: none"> <li>• Restart the computer.</li> <li>• Adjust the ViewMode or the input source.</li> <li>• Reset the monitor to factory settings.</li> </ul>  |
| Control panel keys do not work                                   | <ul style="list-style-type: none"> <li>• Press only one key at a time.</li> <li>• Restart the computer.</li> </ul>   |
| No audio output  | <ul style="list-style-type: none"> <li>• If using ear-/headphones, make sure the mini stereo jack is properly and securely connected.</li> <li>• Make sure the volume is not muted, nor set to 0.</li> <li>• Check the Audio Input setting.</li> </ul>   |
| The monitor will not adjust                                      | <ul style="list-style-type: none"> <li>• Make sure there are no obstructions near or on the monitor, and that there is adequate spacing.</li> <li>• Follow all steps in "Using the Monitor".</li> </ul>  |
| USB devices connected to the monitor do not work                 | <ul style="list-style-type: none"> <li>• Make sure the USB cable is connected properly.</li> <li>• Try changing to a different USB port (if applicable).</li> <li>• Some USB devices require a higher electric current; connect the device directly to the computer.</li> </ul>  |
| External device is connected, but no image appears on the screen | <ul style="list-style-type: none"> <li>• Make sure the <b>Power</b> is On</li> <li>• Check the connecting cable to make sure it is properly and securely connected. Loose or broken pins in the cable connector could cause an improper connection.</li> <li>• Adjust the brightness and contrast settings.</li> </ul> |

# Maintenance

## General Precautions

- Make sure the monitor is turned off and the power cable is unplugged from the power outlet.
- Never spray or pour any liquid directly onto the screen or case.
- Handle the monitor with care, as a darker-colored monitor, if scuffed, may show marks more clearly than a lighter-colored monitor.

## Cleaning the Screen

- Wipe the screen with a clean, soft, lint-free cloth. This removes dust and other particles.
- If the screen is still not clean, apply a small amount of non-ammonia, non-alcohol based glass cleaner onto a clean, soft, lint-free cloth; then wipe the screen.

## Cleaning the Case

- Use a soft, dry cloth.
- If the case is still not clean, apply a small amount of non-ammonia, non-alcohol based, mild non-abrasive detergent onto a clean, soft, lint-free cloth, then wipe the surface.

## Disclaimer

- ViewSonic® does not recommend the use of any ammonia or alcohol-based cleaners on the display screen or case. Some chemical cleaners have been reported to damage the screen and/or case of the monitor.
- ViewSonic® will not be liable for damage resulting from use of any ammonia or alcohol-based cleaners.

## Product Upgradeability and Repairability

| The following is a list of hardware features available for at least 5 years after the sale of the product. | Upgradable | Repairable | Replaceable |
|--|------------|------------|-------------|
| Main Processor(s) or SOC   | No         | No         | Yes         |
| Memory   | N/A        | N/A        | N/A         |
| HDD  | N/A        | N/A        | N/A         |
| Wireless Networking Capability   | N/A        | N/A        | N/A         |
| Graphics Card  | N/A        | N/A        | N/A         |
| Rechargeable Battery   | N/A        | N/A        | N/A         |
| Fan Assembly   | N/A        | N/A        | N/A         |
| Camera   | N/A        | N/A        | N/A         |
| Fingerprint Reader   | N/A        | N/A        | N/A         |
| Display Assembly   | No         | No         | Yes         |
| Keyboard   | N/A        | N/A        | N/A         |
| Internal Power Supply  | No         | No         | Yes         |

**NOTE:**\*N/A = Not applicable for the product.

# Regulatory and Service Information

## Compliance Information

This section addresses all connected requirements and statements regarding regulations. Confirmed corresponding applications shall refer to nameplate labels and relevant markings on the unit.

### FCC Compliance Statement

This device complies with part 15 of FCC Rules. Operation is subject to the following two conditions: (1) this device may not cause harmful interference, and (2) this device must accept any interference received, including interference that may cause undesired operation. This equipment has been tested and found to comply with the limits for a Class B digital device, pursuant to part 15 of the FCC Rules.

These limits are designed to provide reasonable protection against harmful interference in a residential installation. This equipment generates, uses, and can radiate radio frequency energy, and if not installed and used in accordance with the instructions, may cause harmful interference to radio communications. However, there is no guarantee that interference will not occur in a particular installation. If this equipment does cause harmful interference to radio or television reception, which can be determined by turning the equipment off and on, the user is encouraged to try to correct the interference by one or more of the following measures:

- Reorient or relocate the receiving antenna.
- Increase the separation between the equipment and receiver.
- Connect the equipment into an outlet on a circuit different from that to which the receiver is connected.
- Consult the dealer or an experienced radio/TV technician for help.

**Warning:** You are cautioned that changes or modifications not expressly approved by the party responsible for compliance could void your authority to operate the equipment.

### The following information is only for EU-member states:

The mark shown to the right is in compliance with the Waste Electrical and Electronic Equipment Directive 2012/19/EU (WEEE). The mark indicates the requirement NOT to dispose of the equipment as unsorted municipal waste, but use the return and collection systems according to local law.



## Declaration of RoHS2 Compliance

This product has been designed and manufactured in compliance with Directive 2011/65/EU of the European Parliament and the Council on restriction of the use of certain hazardous substances in electrical and electronic equipment (RoHS2 Directive) and is deemed to comply with the maximum concentration values issued by the European Technical Adaptation Committee (TAC) as shown below:

| Substance                               | Proposed Maximum Concentration | Actual Concentration |
|---|--------------------------------|----------------------|
| Lead (Pb)                               | 0.1%                           | < 0.1%               |
| Mercury (Hg)                            | 0.1%                           | < 0.1%               |
| Cadmium (Cd)                            | 0.01%                          | < 0.01%              |
| Hexavalent Chromium (Cr6 <sup>+</sup> ) | 0.1%                           | < 0.1%               |
| Polybrominated biphenyls (PBB)          | 0.1%                           | < 0.1%               |
| Polybrominated diphenyl ethers (PBDE)   | 0.1%                           | < 0.1%               |
| Bis (2-ethylhexyl) phthalate (DEHP)     | 0.1%                           | < 0.1%               |
| Butyl benzyl phthalate (BBP)            | 0.1%                           | < 0.1%               |
| Dibutyl phthalate (DBP)                 | 0.1%                           | < 0.1%               |
| Diisobutyl phthalate (DIBP)             | 0.1%                           | < 0.1%               |

**Certain components of products as stated above are exempted under the Annex III of the RoHS2 Directives as noted below. Examples of exempted components are:**

- Copper alloy containing up to 4% lead by weight.
- Lead in high melting temperature type solders (i.e. lead-based alloys containing 85% by weight or more lead).
- Electrical and electronic components containing lead in a glass or ceramic other than dielectric ceramic in capacitors, e.g. piezoelectronic devices, or in a glass or ceramic matrix compound.
- Lead in dielectric ceramic in capacitors for a rated voltage of 125V AC or 250V DC or higher.

## **Indian Restriction of Hazardous Substances**

Restriction on Hazardous Substances statement (India). This product complies with the “India E-waste Rule 2011” and prohibits use of lead, mercury, hexavalent chromium, polybrominated biphenyls or polybrominated diphenyl ethers in concentrations exceeding 0.1 weight % and 0.01 weight % for cadmium, except for the exemptions set in Schedule 2 of the Rule.

## **Product Disposal at End of Product Life**

ViewSonic® respects the environment and is committed to working and living green. Thank you for being part of Smarter, Greener Computing. Please visit the ViewSonic® website to learn more.

### **USA & Canada:**

<https://www.viewsonic.com/us/go-green-with-viewsonic>

### **Europe:**

<https://www.viewsonic.com/eu/go-green-with-viewsonic>

### **Taiwan:**

<https://recycle.epa.gov.tw/>

## Copyright Information

Copyright© ViewSonic® Corporation, 2023. All rights reserved.

Macintosh and Power Macintosh are registered trademarks of Apple Inc.

Microsoft, Windows, and the Windows logo are registered trademarks of Microsoft Corporation in the United States and other countries.

ViewSonic®, the three birds logo, OnView, ViewMatch, and ViewMeter are registered trademarks of ViewSonic® Corporation.

VESA is a registered trademark of the Video Electronics Standards Association. DPMS, DisplayPort, and DDC are trademarks of VESA.

ENERGY STAR® is a registered trademark of the U.S. Environmental Protection Agency (EPA).

As an ENERGY STAR® partner, ViewSonic® Corporation has determined that this product meets the ENERGY STAR® guidelines for energy efficiency.

**Disclaimer:** ViewSonic® Corporation shall not be liable for technical or editorial errors or omissions contained herein; nor for incidental or consequential damages resulting from furnishing this material, or the performance or use of this product.

In the interest of continuing product improvement, ViewSonic® Corporation reserves the right to change product specifications without notice. Information in this document may change without notice.

No part of this document may be copied, reproduced, or transmitted by any means, for any purpose without prior written permission from ViewSonic® Corporation.

# Customer Service

For technical support or product service, see the table below or contact your reseller.

**NOTE:** You will need the product’s serial number.

| Country/ Region                  | Website  | Country/ Region          | Website  |
|----------------------------------|--|--------------------------|--|
| <b>Asia Pacific &amp; Africa</b> |  |                          |  |
| Australia                        | <a href="http://www.viewsonic.com/au/">www.viewsonic.com/au/</a>       | Bangladesh               | <a href="http://www.viewsonic.com/bd/">www.viewsonic.com/bd/</a> |
| 中国 (China)                       | <a href="http://www.viewsonic.com.cn">www.viewsonic.com.cn</a>         | 香港 (繁體中文)                | <a href="http://www.viewsonic.com/hk/">www.viewsonic.com/hk/</a> |
| Hong Kong (English)              | <a href="http://www.viewsonic.com/hk-en/">www.viewsonic.com/hk-en/</a> | India                    | <a href="http://www.viewsonic.com/in/">www.viewsonic.com/in/</a> |
| Indonesia                        | <a href="http://www.viewsonic.com/id/">www.viewsonic.com/id/</a>       | Israel                   | <a href="http://www.viewsonic.com/il/">www.viewsonic.com/il/</a> |
| 日本 (Japan)                       | <a href="http://www.viewsonic.com/jp/">www.viewsonic.com/jp/</a>       | Korea                    | <a href="http://www.viewsonic.com/kr/">www.viewsonic.com/kr/</a> |
| Malaysia                         | <a href="http://www.viewsonic.com/my/">www.viewsonic.com/my/</a>       | Middle East              | <a href="http://www.viewsonic.com/me/">www.viewsonic.com/me/</a> |
| Myanmar                          | <a href="http://www.viewsonic.com/mm/">www.viewsonic.com/mm/</a>       | Nepal                    | <a href="http://www.viewsonic.com/np/">www.viewsonic.com/np/</a> |
| New Zealand                      | <a href="http://www.viewsonic.com/nz/">www.viewsonic.com/nz/</a>       | Pakistan                 | <a href="http://www.viewsonic.com/pk/">www.viewsonic.com/pk/</a> |
| Philippines                      | <a href="http://www.viewsonic.com/ph/">www.viewsonic.com/ph/</a>       | Singapore                | <a href="http://www.viewsonic.com/sg/">www.viewsonic.com/sg/</a> |
| 臺灣 (Taiwan)                      | <a href="http://www.viewsonic.com/tw/">www.viewsonic.com/tw/</a>       | ประเทศไทย                | <a href="http://www.viewsonic.com/th/">www.viewsonic.com/th/</a> |
| Việt Nam                         | <a href="http://www.viewsonic.com/vn/">www.viewsonic.com/vn/</a>       | South Africa & Mauritius | <a href="http://www.viewsonic.com/za/">www.viewsonic.com/za/</a> |
| <b>Americas</b>                  |  |                          |  |
| United States                    | <a href="http://www.viewsonic.com/us">www.viewsonic.com/us</a>         | Canada                   | <a href="http://www.viewsonic.com/us">www.viewsonic.com/us</a>   |
| Latin America                    | <a href="http://www.viewsonic.com/la">www.viewsonic.com/la</a>         |                          |  |
| <b>Europe</b>                    |  |                          |  |
| Europe                           | <a href="http://www.viewsonic.com/eu/">www.viewsonic.com/eu/</a>       | France                   | <a href="http://www.viewsonic.com/fr/">www.viewsonic.com/fr/</a> |
| Deutschland                      | <a href="http://www.viewsonic.com/de/">www.viewsonic.com/de/</a>       | Қазақстан                | <a href="http://www.viewsonic.com/kz/">www.viewsonic.com/kz/</a> |
| Россия                           | <a href="http://www.viewsonic.com/ru/">www.viewsonic.com/ru/</a>       | España                   | <a href="http://www.viewsonic.com/es/">www.viewsonic.com/es/</a> |
| Türkiye                          | <a href="http://www.viewsonic.com/tr/">www.viewsonic.com/tr/</a>       | Україна                  | <a href="http://www.viewsonic.com/ua/">www.viewsonic.com/ua/</a> |
| United Kingdom                   | <a href="http://www.viewsonic.com/uk/">www.viewsonic.com/uk/</a>       |                          |  |



# Limited Warranty

ViewSonic® Display

## What the warranty covers:

ViewSonic® warrants its products to be free from defects in material and workmanship during the warranty period. If a product proves to be defective in material or workmanship during the warranty period, ViewSonic® will, at its sole option, and as your sole remedy, repair or replace the product with a similar product. Replacement Product or parts may include remanufactured or refurbished parts or components. The repair or replacement unit or parts or components will be covered by the balance of the time remaining on the customer's original limited warranty and the warranty period will not be extended. ViewSonic® provides no warranty for any third-party software whether included with the product or installed by the customer, installation of any unauthorized hardware parts or components (e.g. Projector Lamps). (Please refer to: "What the warranty excludes and does not cover" section).

## How long the warranty is effective:

ViewSonic® displays are warranted for between 1 and 3 years, depending on your country of purchase, for all parts including the light source and for all labor from the date of the first consumer purchase.

## Who the warranty protects:

This warranty is valid only for the first consumer purchaser.

## What the warranty excludes and does not cover:

- Any product on which the serial number has been defaced, modified, or removed.
- Damage, deterioration, or malfunction resulting from:
  - » Accident, misuse, neglect, fire, water, lightning, or other acts of nature, unauthorized product modification, or failure to follow instructions supplied with the product.
  - » Repair or attempted repair by anyone not authorized by ViewSonic®.
  - » Damage to or loss of any programs, data, or removable storage media.
  - » Normal wear and tear.
  - » Removal or installation of the product.
- Software or data loss occurring during repair or replacement.
- Any damage of the product due to shipment.

- Causes external to the product, such as electric power fluctuations or failure.
- Use of supplies or parts not meeting ViewSonic’s specifications.
- Failure of owner to perform periodic product maintenance as stated in the User Guide.
- Any other cause which does not relate to a product defect.
- Damage caused by static (non-moving) images displayed for lengthy periods of time (also referred to as image burn-in).
- Software - Any third-party software included with the product or installed by the customer.
- Hardware/Accessories/Parts/Components – Installation of any unauthorized hardware, accessories, consumable parts or components (e.g. Projector Lamps).
- Damage to, or abuse of, the coating on the surface of the display through inappropriate cleaning as described in the product User Guide.
- Removal, installation, and set-up service charges, including wall-mounting of the product.

**How to get service:**

- For information about receiving service under warranty, contact ViewSonic® Customer Support (Please refer to the “Customer Service” page). You will need to provide your product’s serial number.
- To obtain warranty service, you will be required to provide: (a) the original dated sales slip, (b) your name, (c) your address, (d) a description of the problem, and (e) the serial number of the product.
- Take or ship the product, freight prepaid, in the original container to an authorized ViewSonic® service center or ViewSonic®.
- For additional information or the name of the nearest ViewSonic® service center, contact ViewSonic®.

**Limitation of implied warranties:**

There are no warranties, express or implied, which extend beyond the description contained herein including the implied warranty of merchantability and fitness for a particular purpose.

**Exclusion of damages:**

ViewSonic's liability is limited to the cost of repair or replacement of the product. ViewSonic® shall not be liable for:

- Damage to other property caused by any defects in the product, damages based upon inconvenience, loss of use of the product, loss of time, loss of profits, loss of business opportunity, loss of goodwill, interference with business relationships, or other commercial loss, even if advised of the possibility of such damages.
- Any other damages, whether incidental, consequential or otherwise.
- Any claim against the customer by any other party.
- Repair or attempted repair by anyone not authorized by ViewSonic®.

**Effect of state law:**

This warranty gives you specific legal rights, and you may also have other rights which vary from state to state. Some states do not allow limitations on implied warranties and/or do not allow the exclusion of incidental or consequential damages, so the above limitations and exclusions may not apply to you.

**Sales outside the U.S.A. and Canada:**

For warranty information and service on ViewSonic® products sold outside of the U.S.A. and Canada, contact ViewSonic® or your local ViewSonic® dealer.

The warranty period for this product in mainland China (Hong Kong, Macao, and Taiwan Excluded) is subject to the terms and conditions of the Maintenance Guarantee Card.

For users in Europe and Russia, full details of warranty provided can be found at: <http://www.viewsonic.com/eu/> under "Support/Warranty Information".

# Mexico Limited Warranty

ViewSonic® Display

## What the warranty covers:

ViewSonic® warrants its products to be free from defects in material and workmanship, under normal use, during the warranty period. If a product proves to be defective in material or workmanship during the warranty period, ViewSonic® will, at its sole option, repair or replace the product with a like product. Replacement product or parts may include remanufactured or refurbished parts or components & accessories.

## How long the warranty is effective:

ViewSonic® LCD displays are warranted for between 1 and 3 years, depending on your country of purchase, for all parts including the light source and for all labour from the date of the first consumer purchase.

## Who the warranty protects:

This warranty is valid only for the first consumer purchaser.

## What the warranty excludes and does not cover:

- Any product on which the serial number has been defaced, modified or removed.
- Damage, deterioration, or malfunction resulting from:
  - » Accident, misuse, neglect, fire, water, lightning, or other acts of nature, unauthorized product modification, unauthorized attempted repair, or failure to follow instructions supplied with the product.
  - » Causes external to the product, such as electrical power fluctuations or failure.
  - » Use of supplies or parts not meeting ViewSonic®'s specifications.
  - » Normal wear and tear.
  - » Any other cause which does not relate to a product defect.
- Any product exhibiting a condition commonly known as “image burn-in” which results when a static image is displayed on the product for an extended period of time.
- Removal, installation, insurance, and set-up service charges.

**How to get service:**

For information about receiving service under warranty, contact ViewSonic® Customer Support (Please refer to the attached “Customer Service” page). You will need to provide your product’s serial number, so please record the product information in the space provided below on your purchase for your future use. Please retain your receipt of proof of purchase to support your warranty claim.

**For Your Records**

Product Name: \_\_\_\_\_ Model Number: \_\_\_\_\_  
Document Number: \_\_\_\_\_ Serial Number: \_\_\_\_\_  
Purchase Date: \_\_\_\_\_ Extended Warranty Purchase? \_\_\_\_\_(Y/N)  
If so, what date does warranty expire? \_\_\_\_\_

- To obtain warranty service, you will be required to provide (a) the original dated sales slip, (b) your name, (c) your address, (d) a description of the problem, and (e) the serial number of the product.
- Take or ship the product, in the original container packaging, to an authorized ViewSonic® service center.
- Round trip transportation costs for in-warranty products will be paid by ViewSonic®.

**Limitation of implied warranties:**

There are no warranties, express or implied, which extend beyond the description contained herein including the implied warranty of merchantability and fitness for a particular purpose.

**Exclusion of damages:**

ViewSonic®’s liability is limited to the cost of repair or replacement of the product. ViewSonic® shall not be liable for:

- Damage to other property caused by any defects in the product, damages based upon inconvenience, loss of use of the product, loss of time, loss of profits, loss of business opportunity, loss of goodwill, interference with business relationships, or other commercial loss, even if advised of the possibility of such damages.
- Any other damages, whether incidental, consequential or otherwise.
- Any claim against the customer by any other party.
- Repair or attempted repair by anyone not authorized by ViewSonic®.

|   |   |
|---|---|
| Contact Information for Sales & Authorized Service (Centro Autorizado de Servicio) within Mexico:   |   |
| <b>Name, address, of manufacturer and importers:</b><br>México, Av. de la Palma #8 Piso 2 Despacho 203, Corporativo Interpalmas,<br>Col. San Fernando Huixquilucan, Estado de México<br>Tel: (55) 3605-1099 <a href="http://www.viewsonic.com/la/soporte/index.htm">http://www.viewsonic.com/la/soporte/index.htm</a> |   |
| NÚMERO GRATIS DE ASISTENCIA TÉCNICA PARA TODO MÉXICO: 001.866.823.2004  |   |
| <b>Hermosillo:</b><br>Distribuciones y Servicios Computacionales SA de CV.<br>Calle Juarez 284 local 2<br>Col. Bugambilias C.P: 83140<br>Tel: 01-66-22-14-9005<br>E-Mail: <a href="mailto:disc2@hmo.megared.net.mx">disc2@hmo.megared.net.mx</a>  | <b>Villahermosa:</b><br>Compumantenimientos Garantizados, S.A. de C.V.<br>AV. GREGORIO MENDEZ #1504<br>COL, FLORIDA C.P. 86040<br>Tel: 01 (993) 3 52 00 47 / 3522074 / 3 52 20 09<br>E-Mail: <a href="mailto:compumantenimientos@prodigy.net.mx">compumantenimientos@prodigy.net.mx</a> |
| <b>Puebla, Pue. (Matriz):</b><br>RENTA Y DATOS, S.A. DE C.V. Domicilio:<br>29 SUR 721 COL. LA PAZ<br>72160 PUEBLA, PUE.<br>Tel: 01(52).222.891.55.77 CON 10 LINEAS<br>E-Mail: <a href="mailto:datos@puebla.megared.net.mx">datos@puebla.megared.net.mx</a>  | <b>Veracruz, Ver.:</b><br>CONEXION Y DESARROLLO, S.A DE C.V. Av.<br>Americas # 419<br>ENTRE PINZÓN Y ALVARADO<br>Fracc. Reforma C.P. 91919<br>Tel: 01-22-91-00-31-67<br>E-Mail: <a href="mailto:gacosta@qplus.com.mx">gacosta@qplus.com.mx</a>  |
| <b>Chihuahua:</b><br>Soluciones Globales en Computación<br>C. Magisterio # 3321 Col. Magisterial<br>Chihuahua, Chih.<br>Tel: 4136954<br>E-Mail: <a href="mailto:Cefeo@soluglobales.com">Cefeo@soluglobales.com</a>  | <b>Cuernavaca:</b><br>Compusupport de Cuernavaca SA de CV<br>Francisco Leyva # 178 Col. Miguel Hidalgo<br>C.P. 62040, Cuernavaca Morelos<br>Tel: 01 777 3180579 / 01 777 3124014<br>E-Mail: <a href="mailto:aquevedo@compusupportcva.com">aquevedo@compusupportcva.com</a>              |
| <b>Distrito Federal:</b><br>QPLUS, S.A. de C.V.<br>Av. Coyoacán 931<br>Col. Del Valle 03100, México, D.F.<br>Tel: 01(52)55-50-00-27-35<br>E-Mail : <a href="mailto:gacosta@qplus.com.mx">gacosta@qplus.com.mx</a>   | <b>Guadalajara, Jal.:</b><br>SERVICRECE, S.A. de C.V.<br>Av. Niños Héroes # 2281<br>Col. Arcos Sur, Sector Juárez<br>44170, Guadalajara, Jalisco<br>Tel: 01(52)33-36-15-15-43<br>E-Mail: <a href="mailto:mmiranda@servicrece.com">mmiranda@servicrece.com</a>                           |
| <b>Guerrero Acapulco:</b><br>GS Computación (Grupo Sesicomp)<br>Progreso #6-A, Colo Centro<br>39300 Acapulco, Guerrero<br>Tel: 744-48-32627   | <b>Monterrey:</b><br>Global Product Services<br>Mar Caribe # 1987, Esquina con Golfo Pérsico<br>Fracc. Bernardo Reyes, CP 64280<br>Monterrey N.L. México<br>Tel: 8129-5103<br>E-Mail: <a href="mailto:aydeem@gps1.com.mx">aydeem@gps1.com.mx</a>  |
| <b>MERIDA:</b><br>ELECTROSER<br>Av Reforma No. 403Gx39 y 41<br>Mérida, Yucatán, México CP97000<br>Tel: (52) 999-925-1916<br>E-Mail: <a href="mailto:rrrb@sureste.com">rrrb@sureste.com</a>  | <b>Oaxaca, Oax.:</b><br>CENTRO DE DISTRIBUCION Y<br>SERVICIO, S.A. de C.V.<br>Murguía # 708 P.A., Col. Centro, 68000, Oaxaca<br>Tel: 01(52)95-15-15-22-22<br>Fax: 01(52)95-15-13-67-00<br>E-Mail: <a href="mailto:gpotai2001@hotmail.com">gpotai2001@hotmail.com</a>                    |
| <b>Tijuana:</b><br>STD<br>Av Ferrocarril Sonora #3780 L-C<br>Col 20 de Noviembr<br>Tijuana, Mexico  | <b>FOR USA SUPPORT:</b><br>ViewSonic® Corporation<br>381 Brea Canyon Road, Walnut, CA. 91789 USA<br>Tel: 800-688-6688<br>E-Mail: <a href="http://www.viewsonic.com">http://www.viewsonic.com</a>  |



**ViewSonic®**