



## Description

Venture Lighting's LED Retrofit lamps are the ideal upgrade solution to traditional HID lamp technologies. Venture's LED Retrofit lamps are a simple energy saving solution for providing significant maintenance savings. The integrated driver design is an ideal upgrade from traditional technologies.

## Feature & Benefits

- Energy saving replacement for MH or HPS
- Up to 5 times longer life and 80% energy savings compared to HID
- 5 year warranty
- Universal burn position
- Easy installation
- Reduced maintenance costs

## Applications

- Lowbay
- Canopy
- Garage
- General illumination

## Notes

- The use of an external surge protection device is recommended
- Operating temp. range between -4°F and 122°F (-20°C and 50°C)
- Suitable for use in dry and damp environments
- Suitable for use in portable luminaires, surface mounted and ceiling luminaires
- Suitable for use in open and enclosed luminaires
- Do not use where exposed to water or outdoors without an appropriate enclosed luminaire

## Warranty

For warranty information refer to: [www.venturelighting.com/resources/warranties](http://www.venturelighting.com/resources/warranties)

## Product Performance

Input Power (W)	40
Bare Lamp Lumens	4800
DLC Rated Lumens	4240
Lumens/Watt (Bare Lamp)	120
Correlated Color Temperature (CCT)	4000K
Color Rendering Index (CRI)	80
Life Hours	50000
Min. Lamp Compartment (H x L x W)	11" x 8" x 8" (279mm x 203mm x 203mm)
Dimming	No
Operating Temperature Range	-4°F to 122°F (-20°C to 50°C)

## Physical Characteristics

Base Type	Mogul (EX39)
Overall Length A	6.01" (153mm)
Diameter B	5.2" (131mm)
Weight	2.06 lbs (933g)

## Electrical Characteristics

Input Voltage Range	100-277V; 50/60Hz
Driver	Internal within lamp
Power Factor	> 0.90
THD	< 20%

## Regulatory Qualifications

cULus Listed (UL 1993/CSA C22.2 No. 1993)

cULus Classified (UL 1598C/CSA C22.2 No. 250.1)

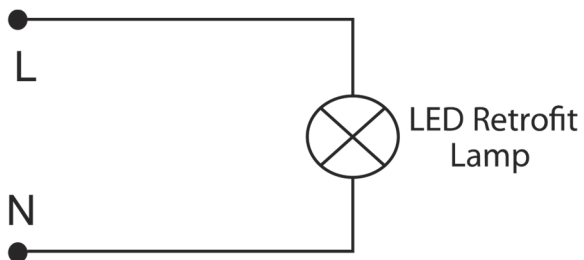
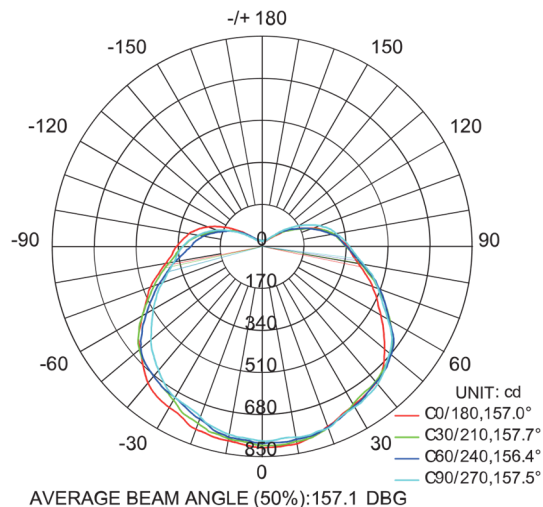
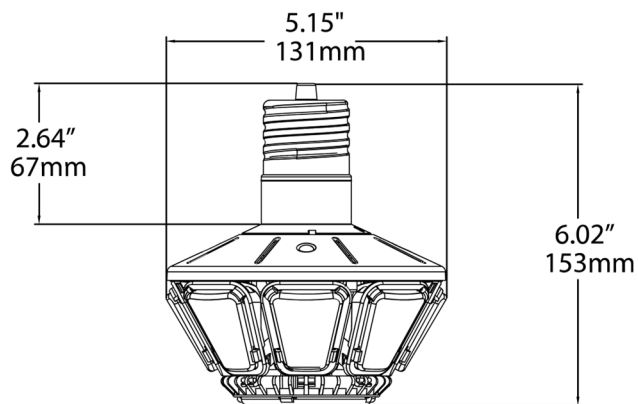
## Accessories

SP12714 120-277V Surge Protector

Revision: 06, 09-Sept 2022



# Venture 40W LED Lowbay Retrofit Lamp



Easy to install - bypass ballast and provide voltage directly to lamp

**(800) 451-2606**

6675 Parkland Blvd., Suite 100

Solon, Ohio 44139 USA

Email: [Venture\\_Lighting@VentureLighting.com](mailto:Venture_Lighting@VentureLighting.com)

**VentureLighting.com**

