



## Description

Venture Lighting's highbays are low profile, lightweight, and designed for long life with low maintenance and great performance. These LED luminaires are designed to upgrade existing HID and fluorescent fixtures quickly and easily.

## Construction

The high-performance LED source is mounted to an aluminum heatsink which is designed to ensure proper thermal management of the system. This design allows for a cooler running LED chip which leads to longer lifetime, better efficacy, and color consistency. Fixtures are rated for an ambient operating temperature range -22°F to 104°F (-30°C to 40°C).

## Optics

The units are equipped with a 90-degree beam spread for higher mounting heights and are also field adjustable with an accessory lens.

## Electrical

The power supply has a range of 120V-277V, 50/60 Hz. 0-10V DC dimming capability is standard. Fixtures are IP65 rated, suitable for wet locations.

## Warranty

For warranty information refer to: [www.venturelighting.com/resources/warranties](http://www.venturelighting.com/resources/warranties)

## Notes

\*Lumen maintenance data is based on LED testing per IESNA LM-80 and projected per IESNA TM-21

## Product Performance

Wattage	150W
Lumens	21850
Correlated Color Temperature (CCT)	5000K
Color Rendering Index (CRI)	80
Lumen Maintenance @ 50,000 hours*	89%
Calculated L70 @ 25°C Ambient in Hours*	155,000
Beam Angle (°)	90°
Operating Temperature Range	-22°F to 104°F (-30°C to 40°C)
Replaces HID Wattage	400W

## Physical Characteristics

Diameter	10.25"
Input Cable Length	1ft
Safety Cable Length	3ft
Fixture Color	Black
Height	9.0"
Weight	8.7 lbs

## Electrical Characteristics

Amperage Draw (Input Volts/Amps)	120/1.21 208/0.73 240/0.64 277/0.56
----------------------------------	-------------------------------------

## Regulatory Qualifications

UL Listed

## Accessories

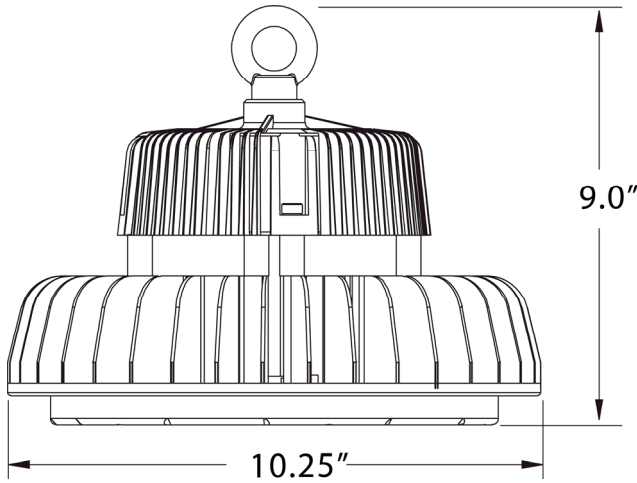
AC62148 – Pendant mount kit (black) for 3/4" NPT
KT18215 – Adjustable U-Bracket for 150W-300W
KT12089 – Motion/Dim/Photocell sensor mount kit
LN11476 – 120° Clear tempered glass lens for 150W VSolutions HB
LN14399 – 120° Frosted tempered glass lens for 150W VSolutions HB
LN17698 – 120° Clear polycarbonate lens for 150W VSolutions HB
LN19016 – 60° Polycarbonate lens for 150W VSolutions HB
LN28315 – 16" Clear acrylic drop lens for 150W and 300W VSolutions HB
LN28325 – 16" Diffuse acrylic drop lens for 150W and 300W VSolutions HB
RF55800 – 16" dia. polycarbonate reflector for 150W and 300W VSolutions HB
RF50402 – 16" dia. aluminum reflector (90°) for 150W and 300W VSolutions HB
RF19927 – 16" Clear acrylic reflector for 150W and 300W VSolutions HB
RF19935 – 16" Diffuse acrylic reflector for 150W and 300W VSolutions HB
RF63661 – 16" dia. SS lens band
Add suffix "-S4" for a factory installed Motion/Dim/Photocell sensor mount kit (KT12089)
For factory installed plug options see next page

Revision: 06, 06-Sept 2022

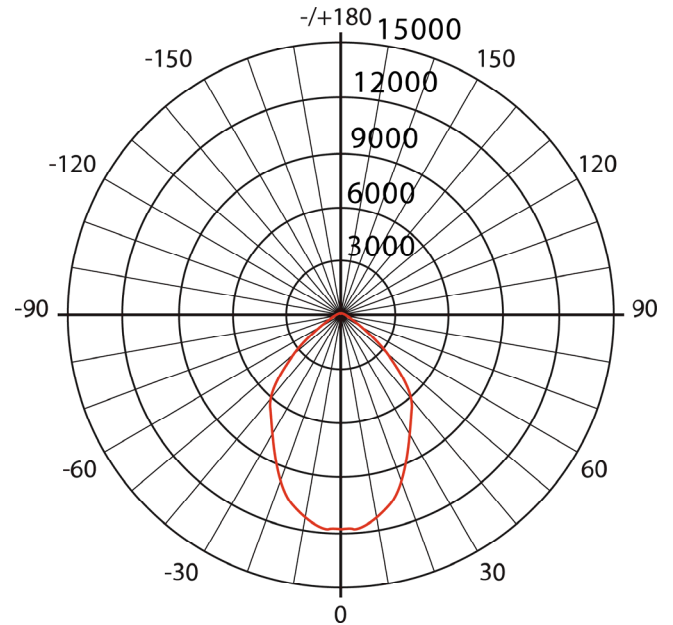


# Venture 150W VSolution LED Highbay

## Dimensions



## Luminous Intensity Distribution Diagram



LN17698  
120° Clear Polycarbonate Lens



LN19016  
60° Polycarbonate Lens



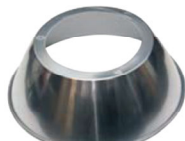
LN14399  
120° Frosted Tempered Glass Lens



LN11476  
120° Clear Tempered Glass Lens



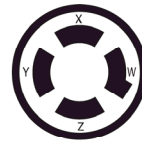
RF55800



RF50402



NEMA L5-15P



NEMA L18-20P



NEMA L6-15P



NEMA L7-15P

Plug Options <sup>*</sup>	Molded Plug Options with 11ft Cable <sup>*</sup>
"-P1" - NEMA L5-15P for 120V	"-P6-C" - NEMA L5-15P for 120V w/ Cable
"-P2" - NEMA L6-15P for 240V	"-P7-C" - NEMA L6-15P for 240V w/ Cable
"-P3" - NEMA L7-15P for 277V	"-P8-C" - NEMA L7-15P for 277V w/ Cable
"-P5" - NEMA L18-20P for 208V	"-P10-C" - NEMA L18-20P for 208V w/ Cable

NOTE: \* Add Suffix to Part# for Factory Installed option

Factory installed plug options

**(800) 451-2606**

6675 Parkland Blvd., Suite 100

Solon, Ohio 44139 USA

Email: [Venture\\_Lighting@VentureLighting.com](mailto:Venture_Lighting@VentureLighting.com)

**VentureLighting.com**

