



## Description

Venture Lighting's VSplash LED highbay is NSF Certified and uniquely designed for food processing applications yet maintains a high lumen efficacy. They are designed to quickly and easily upgrade existing H.I.D. and fluorescent fixtures.

## Construction

The die-cast aluminum body ensures good heat dissipation providing cool running operation. The fixture has a durable and corrosion-resistant powder coat finish. The IP69K rating makes cleaning worry free for NSF applications as the fixture can withstand cleaning by high pressure water jets and is also dust tight. The smooth shape eliminates exposed hardware as well as prevents dust and moisture from collecting, enhancing the safety for food processing applications.

## Optics

The fixture is equipped with a 90-degree beam polycarbonate lens for higher mounting heights.

## Electrical

The power supply has a range of 100-277V, 50/60 Hz. 1-10V DC continuous dimming capability is standard.

## Warranty

For warranty information refer to: [www.venturelighting.com/resources/warranties](http://www.venturelighting.com/resources/warranties)

## Notes

\*Lumen maintenance data is based on LED testing per IESNA LM-80 and projected per IESNA TM-21

## Product Performance

|                                     |                                 |
|-------------------------------------|---------------------------------|
| Wattage                             | 150W                            |
| Lumens                              | 20250                           |
| Correlated Color Temperature (CCT)  | 5000K                           |
| Color Rendering Index (CRI)         | 80                              |
| Lumen Maintenance @50,000 Hrs*      | 94%                             |
| Calculated L70 @25°C Ambient (Hrs)* | >60,000                         |
| Replaces HID Wattage                | Up to 400W                      |
| Beam Angle (°)                      | 90                              |
| Operating Temperature Range         | -40°F to 104°F (-40°C to +40°C) |

## Physical Characteristics

|                     |          |
|---------------------|----------|
| Diameter            | 19.25"   |
| Input Cable Length  | 5 ft     |
| Safety Cable Length | 3 ft     |
| Fixture Color       | Gray     |
| Height              | 7.875"   |
| Weight              | 14.8 lbs |

## Electrical Characteristics

|   |                               |
|---|-------------------------------|
| Input                                   | 100-277VAC, 50/60Hz, 1.7A MAX |
| Dimming (Internal/Capped Dimming Leads) | 1-10V DC                      |

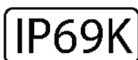
## Regulatory Qualifications

|  |
|--|
| cULus Listed                                   |
| DLC® Premium Qualified – DLC Model HW1-150C-AB |
| NSF Certified – Model HW1-150                  |
| Wet Rated – IP69K Rated                        |

## Accessories

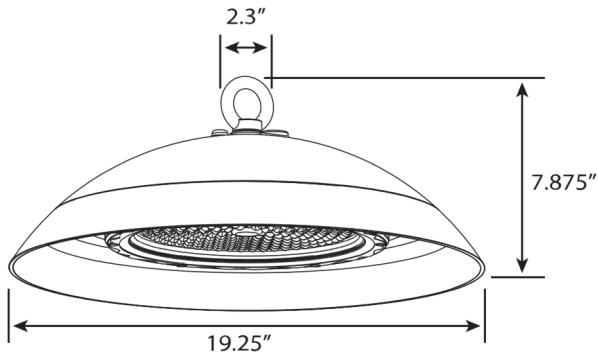
|   |
|---|
| AC78126 – Pendant mount kit – wire outside  |
| LN13632 – 120° Clear plastic flat lens  |
| LN13492 – 120° Frosted plastic lens   |
| LN13421 – 120° Clear tempered glass lens  |
| LN28431 – 50° Clear plastic lens  |
| For factory installed Indoor and NSF certified watertight plug options, see below |

Revision: 11, 20-Oct 2022

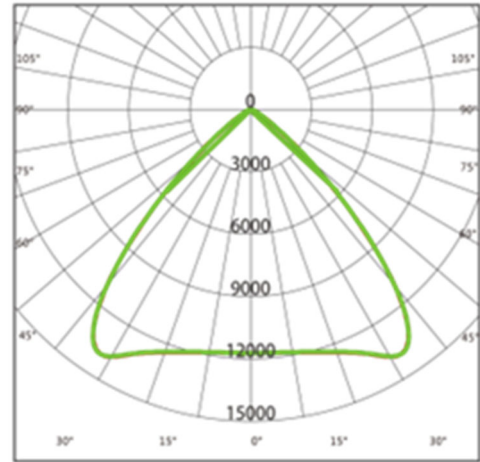


# Venture 150W VSplash LED Highbay

## Dimensions



## Photometrics



## NSF-Certified Plug Options



NEMA L5-15P NEMA L6-15P NEMA L7-15P

## Indoor (non-NSF) Plug Options



NEMA L5-15 NEMA L18-20P NEMA L6-15 NEMA L7-15P

### NSF-Certified Plug Options\*

"-PN1"- NEMA L5-15P for 120V

"-PN2"- NEMA L6-15P for 240V

"-PN3"- NEMA L7-15P for 277V

NOTE: \* Add Suffix to Part# for Factory Installed option

### Plug Options\*

"-P1" - NEMA L5-15P for 120V

"-P2" - NEMA L6-15P for 240V

"-P3" - NEMA L7-15P for 277V

"-P5" - NEMA L18-20P for 208V

### Molded Plug Options with 11ft Cable\*

"-P6-C" - NEMA L5-15P for 120V w/ Cable

"-P7-C" - NEMA L6-15P for 240V w/ Cable

"-P8-C" - NEMA L7-15P for 277V w/ Cable

"-P10-C" - NEMA L18-20P for 208V w/ Cable

NOTE: \* Add Suffix to Part# for factory installed plug options

**(800) 451-2606**

6675 Parkland Blvd., Suite 100

Solon, Ohio 44139 USA

Email: [Venture\\_Lighting@VentureLighting.com](mailto:Venture_Lighting@VentureLighting.com)

**VentureLighting.com**

