


 CCT/Wattage
 Field Adjustable Switches

Description

Venture Lighting's color temperature selectable and wattage selectable LED Linear High Bay is capable of changing to 2 different CCT settings (4000K, 5000K) and 3 different wattage settings (3 light levels) with a simple switch. These field-adjustable fixtures are preset to the highest wattage and 5000K CCT. The flexible selection capability allows for a cost effective method to reduce stocking inventory by 83% (1 SKU instead of 6). This is an ideal choice for commercial, industrial, or retail applications.

Construction

The housing is constructed from cold rolled steel to provide rigidity and strength. Each housing is finished with a white polyester power coat. Each fixture is supplied with a pair of V-hooks and 3ft chain for mounting. The luminaire is rated for damp and dry locations.

Optics

Provided with a frosted polycarbonate lens for providing diffused light distribution.

Electrical

The power supply has a range of 120-277V, 50/60Hz. 0-10V DC continuous dimming capability is standard. The fixture includes an integrated screw-in sensor socket (optional sensor is sold separately).

Warranty

For warranty information refer to: www.venturelighting.com/resources/warranties

* Lumen maintenance data is based on LED testing per IES LM-80 and projected per IES TM-21.



DLC Model: HBLS2UNV-155/130/105-FL/AU2/F1/A3/B7/SN/EMN

Product Performance

| Wattage | 4000K CCT | 5000K CCT |
|-------------------------------------|--------------------------------|--------------|
| | Lumen Output | Lumen Output |
| 155W | 20925 | 21080 |
| 130W | 18200 | 18330 |
| 105W | 15225 | 15330 |
| Color Rendering Index (CRI) | ≥ 80 | |
| Lumen Maintenance @50,000 Hrs* | 91% | |
| Calculated L70 @25°C Ambient (Hrs)* | 181,000 | |
| Operating Temperature Range | -22°F to 122°F (-30°C to 50°C) | |
| Replace Existing Luminaire | Up to 400W HID | |

Physical Characteristics

| | |
|---------------|---------------------|
| Lens Type | Frosted |
| Fixture Color | White |
| Length | 24.8" (630mm) |
| Width | 15.0" (381mm) |
| Height | 2.1" (53.3mm) |
| Weight | 12.57 lbs (5.70 kg) |

Electrical Characteristics

| | |
|---------|-------------------|
| Input | 120-277V, 50/60Hz |
| Dimming | 0-10V DC |

Regulatory Qualifications

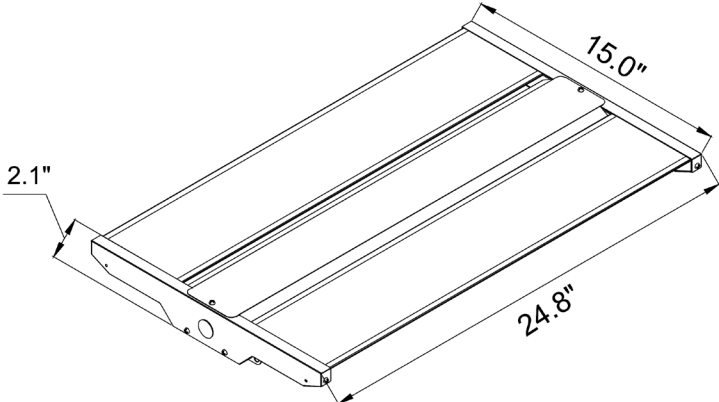
| |
|-----------------------------|
| cULus Listed |
| DLC® Premium Qualified |
| Suitable for damp locations |

Accessories

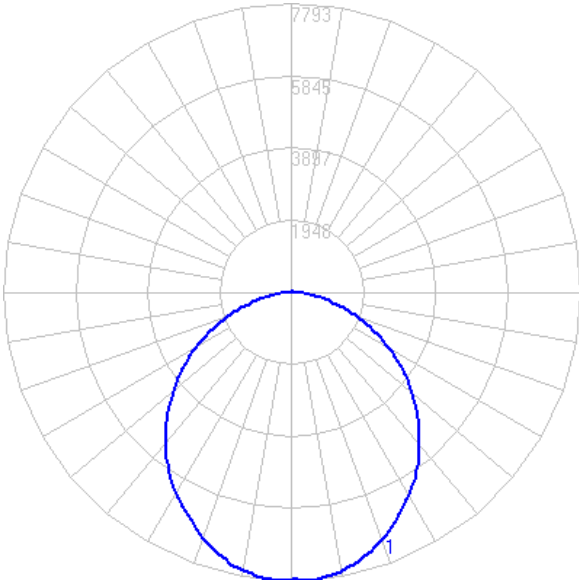
| |
|--|
| PH86347 – Field Installable Plug-in Photosensor/Motion Sensor |
| AC86350 – Motion sensor remote control |
| KT26750 – Pendant mount kit with hardware |
| KT26740 – Surface mount kit |
| KT26822 – Wire guard kit with hardware |
| KT26103 – Battery Backup Kit 17W |
| AC23910 – 10FT Cable Suspension Kit: AC18606 – 6FT Cable Suspension Kit |
| AC25418 – 3/8" 4-Wire 14/4 6ft Flex Whip |
| AC25425 – 3/8" 5-wire 18/3, 18/2 6ft Flex Whip |
| AC25426 – 3/8" 6-wire 18/4, 18/2 6ft Flex Whip |
| Add suffix "-EM" to fixture # for factory-installed Battery Backup |
| Add suffix "-WP" to fixture # for factory-installed 6ft Whip (AC25420) |
| Add suffix "-EM-WP" to fixture # for factory-installed Battery Backup and 6ft Whip (AC25418) |
| For factory installed plug options, see page 2 |

Select-Pro CCT/Wattage Selectable Linear High Bay

Dimensions:



Photometrics:



Factory Installed Plug and Cable Options:



NEMA L5-15P NEMA L6-15P NEMA L7-15P NEMA L18-20P

- Add suffix "-P6-C" for 120V NEMA L5-15P molded plug with 11ft cable
- Add suffix "-P10-C" for 208V NEMA L18-20P molded plug with 11ft cable
- Add suffix "-P7-C" for 240V NEMA L6-15P molded plug with 11ft cable
- Add suffix "-P8-C" for 277V NEMA L7-15P molded plug with 11ft cable

(800) 451-2606

6675 Parkland Blvd., Suite 100

Solon, Ohio 44139 USA

Email: Venture_Lighting@VentureLighting.com

VentureLighting.com

