



Description

Venture Lighting's Linear Highbay luminaires are low profile, durable, and designed for long life and low maintenance. They are designed to upgrade quickly and easily existing H.I.D. and fluorescent fixtures. Unit comes equipped ready with easy to hang 4-point hooks and chains. Versatile and easy to install either suspended, pendant, or surface mount (pendant and surface mount accessories sold separately).

Construction

Luminaire housing and die formed end caps are made of cold-rolled steel. Rigid design resists twisting and bowing. Heavy gauge steel power supply compartment is perforated for superior cooling through natural convection to maximize the life of LEDs and power supplies. LED arrays are mounted to housing surface to ensure reliable heat sinking. The driver is mounted in a separate power supply compartment to minimize heat exposure.

Finish

Die-formed heavy gauge steel housing with a high reflectance, high-gloss, baked white enamel finish. Die-formed steel end caps with center 7/8 inch knockouts, and (2) 1/2-inch knockouts, attaching via center interlocking tab into housing, secured by 2 screws. Smooth housing edges for ease of handling.

Housing

Die formed end caps enclose a heavy gauge steel fixture body and side rails. End caps have multiple knockouts to support optional controls. The power supply compartment cover allows easy access to the power supply from above, while mounted.

Optics

Clear polycarbonate lens is standard while a frosted lens model is also available.

Electrical

The power supply has a range of 347V-480V, 50/60 Hz. 0-10V DC dimming capability is standard. The luminaire is rated for damp and dry locations.

Warranty

For warranty information refer to: www.venturelighting.com/resources/warranties

Product Performance

| | |
|------------------------------------|---|
| Wattage | 110W |
| Lumens | 14850 |
| Lumens per Watt | 135 |
| Correlated Color Temperature (CCT) | 5000K |
| Color Rendering Index (CRI) | 80 |
| Life Hours | 50,000 |
| Operating Temperature Range | -22°F to 113°F (-30°C to 45°C) |
| Replace Existing Luminaire | Up to 250W HID or T8 4 lamp fluorescent |

Physical Characteristics

| | |
|---------------|----------|
| Lens Type | Clear |
| Fixture Color | White |
| Length | 23.8" |
| Width | 12.6" |
| Height | 4.0" |
| Weight | 10.2 lbs |

Electrical Characteristics

| | |
|----------------------------------|-------------------|
| Amperage Draw (Input Volts/Amps) | 347/0.33 480/0.24 |
|----------------------------------|-------------------|

Regulatory Qualifications

cULus Listed; Dry and damp rated

Accessories

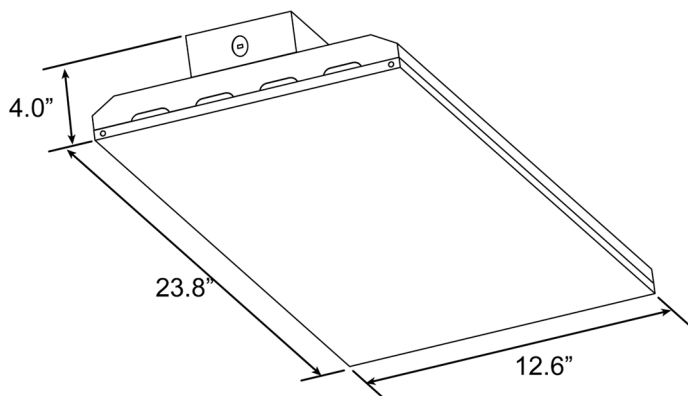
| |
|--|
| V-hook (2pcs) and 42" chain accessories supplied with each fixture |
| AC24512 – 1 meter chain with S-hooks (2pcs) (replacement) |
| KT37505 – Pendant mount kit with hardware (white) |
| KT37304 – Surface mount kit with hardware (white) |
| KT42515 – Wire guard kit with hardware |
| LN18614 – Frosted polycarbonate lens for field installation |
| PH48156 – Dry/damp rated motion/on-off sensor only (277-480V) |
| PH52321 – Dry/damp rated motion/on-off/photocell/dimming sensor (277-480V) |

Revision: 08, 26-Jan 2023

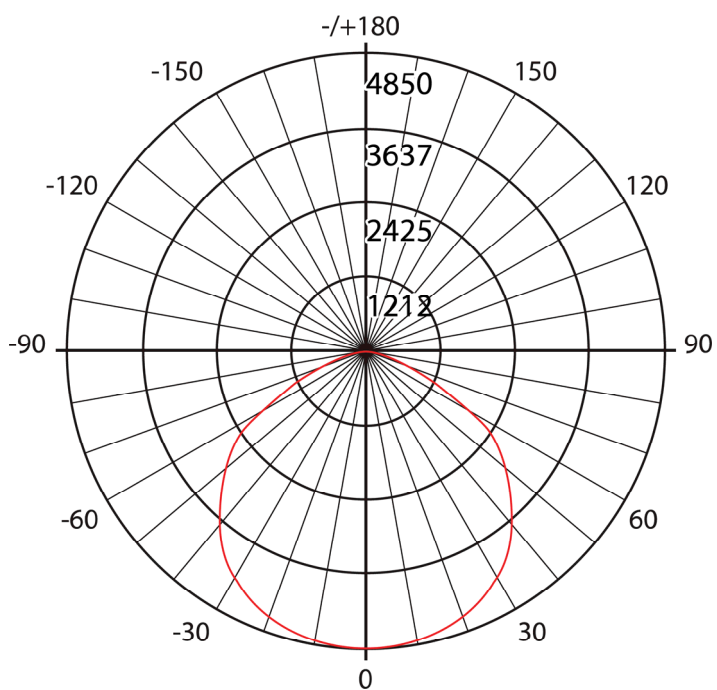


Venture 110W LED Linear Highbay

Dimensions



Luminous Intensity Distribution Diagram



(800) 451-2606

6675 Parkland Blvd., Suite 100

Solon, Ohio 44139 USA

Email: Venture_Lighting@VentureLighting.com

VentureLighting.com

