

### Description

The Venture Lighting LED Gas Station Canopy is a surface mount luminaire with a low profile, lightweight design featuring long life and low maintenance. These IP65 rated fixtures are designed for easy replacement of existing gas station canopy fixtures.

### Construction

The housing unit is constructed from heavy-duty aluminum. Fixtures are finished with a durable white polyester powder coating. To ensure weathertight protection, each optical assembly is sealed with a silicone gasket.

### Electrical

The power supply has a range of 120-277V, 50/60 Hz.

### Mounting

The fixture is designed for surface mounting.

### Warranty

For warranty information refer to: [www.venturelighting.com/resources/warranties](http://www.venturelighting.com/resources/warranties)

DLC Model No.: CPT-150SAM-WH50

### Product Performance

Wattage	150W
Lumens	21,057
Correlated Color Temperature (CCT)	5000K
Color Rendering Index (CRI)	≥ 80
Lumen Maintenance @50,000 hours*	90%
Calculated L70 @25°C Ambient in hours*	174,000
Operating Temperature Range	40°F to 104°F (-40°C to 40°C)

### Physical Characteristics

Fixture Color	White
Length	20.47" (520mm)
Width	20.47" (520mm)
Height	9.65" (245mm)
Weight	17 lbs (7.7 kg)

### Electrical Characteristics

Input Voltage Range	120-277V, 50/60 Hz, 1.53A Max
Amperage Draw (Input Volts/Amps)	120/1.30 208/0.75 240/0.65 277/0.56
Power Factor	≥ 90%
THD	≤ 20%
Dimming	1-10V DC continuous to 10%

### Regulatory Qualifications

UL Listed

DLC® Premium Qualified – DLC Model No. CPT-150SAF-WH50

IP65 Rated for Wet Locations

Revision: 05, 26-Aug 2022

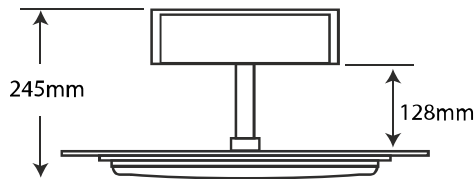
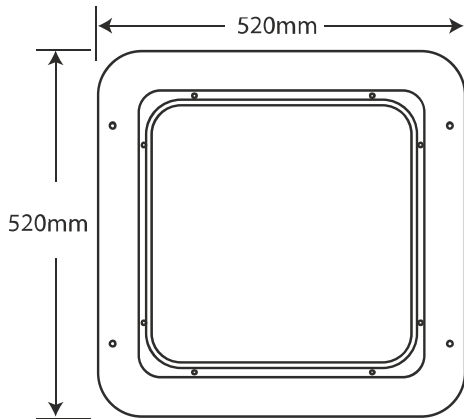
### Notes

\* Lumen maintenance data is based on LED testing per IESNA LM-80 and projected per IESNA TM-21.

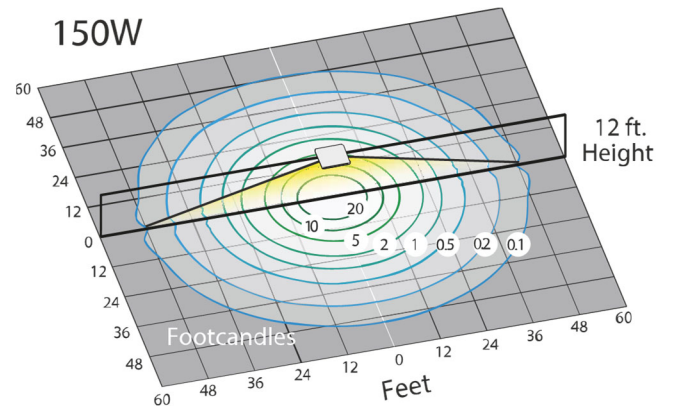


# Venture 150W LED Gas Station Canopy

## DIMENSIONS



## PHOTOMETRICS



**(800) 451-2606**

6675 Parkland Blvd., Suite 100

Solon, Ohio 44139 USA

Email: [Venture\\_Lighting@VentureLighting.com](mailto:Venture_Lighting@VentureLighting.com)

**VentureLighting.com**

