



### Description

Venture Lighting's color temperature selectable and wattage selectable Canopy is capable of changing to 3 different CCT settings and 3 different wattage settings. These field-adjustable fixtures are preset to the highest wattage and 5000K CCT. Dip switches are used to change the wattage, color temperature and enable/disable the integrated photocell. The flexible selection capability allows for a cost-effective method to reduce stocking inventory by 88% (1 SKU instead of 9). This LED luminaire has a lightweight design featuring long life and low maintenance and allows for easy replacement of existing canopy lighting fixtures. The robust design paired with universal mounting makes them ideal for locations, such as retail canopies where heavy pedestrian traffic makes maintenance difficult.

### Construction

The housing unit is constructed from heavy-duty aluminum. Fixtures are finished with a durable white polyester powder coating. To ensure weathertight protection, each optical assembly is sealed with a silicone gasket. Luminaires are rated for an ambient operating temperature range of -40°C to +40°C. The fixture includes an integrated photocell (which can be enabled or disabled).

### Electrical

The Class II power supply has a range of 120-277V, 50/60 Hz. 0-10V DC continuous dimming capability is standard (dim-to-off).

### Mounting

The fixture is designed for universal surface and pendant mounting.

### Warranty

For warranty information refer to: [www.venturelighting.com/resources/warranties](http://www.venturelighting.com/resources/warranties)

\*Lumen maintenance data is based on LED testing per IESNA LM-80 and projected per IESNA TM-21.

\*\*Photocell must be enabled when EM is used.



### DLC Model # CPS40SP2-WHP1W50

#### Product Performance

Wattage	3000K CCT Lumen Output	4000K CCT Lumen Output	5000K CCT Lumen Output
40W	5000	5450	5400
30W	3750	4100	4050
20W	2500	2750	2700
Color Rendering Index (CRI)			≥ 80
Lumen Maintenance @50,000 Hrs*			94%
Calculated L70 @25°C Ambient (Hrs)*			319,000
Replaces HID Wattage			Up to 175W
Operating Temperature Range		-40°F to +104°F (-40°C to +40°C)	
EM Temperature Derating		41°F to 95°F (5°C to 35°C)	
Photocell			Integrated (On/Off Switch)
Distribution			110°

#### Physical Characteristics

Fixture Color	White
Length	8" (204mm)
Width	8" (204mm)
Height	3.66" (93mm)
Weight	3.85 lbs (1.75 kg)

#### Electrical Characteristics

Input	120-277V, 50/60 Hz
Power Factor	≥ 90%
THD	≤ 20%
Dimming	0-10V DC

#### Regulatory Qualifications

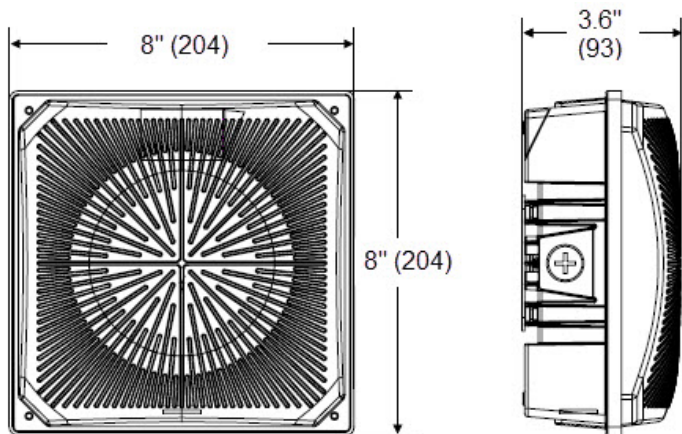
cULus Listed
DLC® Premium Qualified
IP65 Rated – Suitable for wet locations

#### Accessories

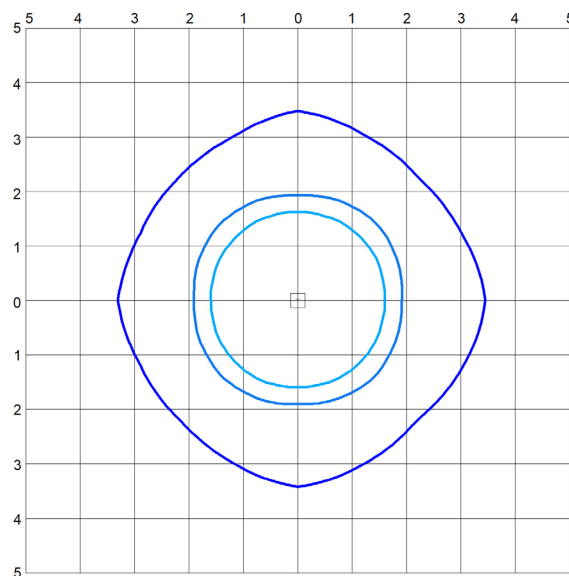
PH12568 – Programmable Microwave Motion/Dim/Photocell Sensor
AC13752 – Motion/Dim/Photocell sensor handheld programmer
SP12714 – 120-277V Surge Protector
LN19342 – 160 Degree Lens for 40W Canopy
AC31925 – Tamper-resistant screws
Add "-EM" to order code for factory-installed battery backup**
Add "-S7" to order code for factory-installed M/D/P Sensor (Part# PH12568)
Add "-TRS" to order code for factory-installed tamper-resistant screws (AC31925)

# Venture CCT & Wattage Selectable Canopy

## Dimensions



## Photometrics – 110 Degree Lens



10ft Mounting Height  
Divisions are multiples of mounting height

**(800) 451-2606**

6675 Parkland Blvd., Suite 100

Solon, Ohio 44139 USA

Email: [Venture\\_Lighting@VentureLighting.com](mailto:Venture_Lighting@VentureLighting.com)

**VentureLighting.com**

