

SELECT-PRO® AREA LIGHT 150W-300W LED LUMINAIRES



Catalog Number
Type
Date
Notes

Description

Venture Lighting's color temperature selectable and wattage selectable LED Area Light is capable of changing to 3 different CCT settings (3000K, 4000K, 5000K) and 3 different wattage settings (3 light levels) with a simple switch. These field-adjustable fixtures are preset to the highest wattage and 5000K CCT. The flexible selection capability allows for a cost-effective method to reduce stocking inventory by 88% (1 SKU instead of 9). This is an ideal choice for commercial, industrial, or retail applications.

Performance

- CCT Selectable: 3000K/4000K/5000K
- Wattage Selectable
- Type 3 & 5 Distributions Available
- CRI: ≥70
- Temp Range: -40°F to 104°F (-40°C to 40°C)

Electrical

- 120-277V; 50/60 Hz Input
- Power Factor ≥90%
- THD ≤20%
- 0-10V DC Continuous dimming capability

Warranty

- [5-year limited warranty](#)

Construction

The fixture is die-cast aluminum and powder-coated for superior corrosion resistance and heat dissipation. Fixture comes with 3-pin twist lock receptacle and shorting cap standard.

Mounting

The fixture is designed for use with various mounting accessories: square and round pole arms, adjustable slipfitter (fits a 2-3/8" tenon) or U-bracket (yoke). All mounting accessories are ordered separately.

Controls

- The fixture includes an integrated screw-in sensor socket (optional sensor is sold separately).
- The fixture includes an integrated 3-Pin twist lock photocell receptacle with shorting cap (optional photocell is sold separately).

Compliance

- cULus Listed
- DLC® Premium Qualified
- IP65 Rated for wet locations



150W shown with Adjustable Slipfitter

300W shown with Adjustable Slipfitter



IP65

Ordering & Model Number Information

Choose nomenclature that suits application. Example: **AR1-300WT3-ABZ**

AR1	-	300	W	T3	-	A	BZ	-
Series		Wattage	CCT	Distribution		Voltage	Finish	Accessory

- AR1 - Select-Pro LED Area Fixture
 150-100/120/150W
 300-200/250/300W
W - CCT Selectable
T3 - Type 3
T5 - Type 5
A - 120-277V
BZ - Bronze
Blank - None
SF - Adjustable Slipfitter
RS - Round Square Arm
UB - U-Bracket

Accessories

Mounting Accessories:

Part#	Description	Weight (lbs)
<input type="checkbox"/> AC17341	100-300W Adjustable slipfitter	3.04
<input type="checkbox"/> AC17343	100-150W U-bracket	1.39
<input type="checkbox"/> AC17345	200-300W U-bracket	2.20
<input type="checkbox"/> AC17347	100-300W Round & square pole arm	4.08

Misc. Accessories:

Part#	Description
<input type="checkbox"/> PH12415	3-Pin twist lock photocell (120-277V)
<input type="checkbox"/> PH81975	Replacement shorting cap
<input type="checkbox"/> PH53207	Screw-in programmable microwave Motion/Dim/Photocell Sensor
<input type="checkbox"/> PH52186	Motion/Dim/Photocell sensor handheld programmer
<input type="checkbox"/> SP12714	120-277V Surge protector
<input type="checkbox"/> AC17622	Backlight Shield for 100-150W, Type 3 (T3) distribution only
<input type="checkbox"/> AC17624	Backlight Shield for 200-300W, Type 3 (T3) distribution only

SELECT-PRO AREA LIGHT 150W-300W

Performance Data

Wattage	Distribution Type	BUG	3000K Lumens	4000K Lumens	5000K Lumens	DLC Model #	Lumen Maint. @ 50,000 Hours [†]	Calc. L70@25C Amb.(hrs) [†]
100	Type III	B3-U0-G3	12,443	13,672	13,531	AR1UNV-150WT3-BZW50	90%	169,000
	Type V	B4-U0-G5	12,362	13,395	13,153	AR1UNV-150WT5-BZW50		
120	Type III	B3-U0-G3	14,932	16,407	16,237	AR1UNV-150WT3-BZW50		
	Type V	B4-U0-G5	14,834	16,074	15,784	AR1UNV-150WT5-BZW50		
150	Type III	B3-U0-G3	18,665	20,509	20,296	AR1UNV-150WT3-BZW50		
	Type V	B4-U0-G5	18,543	20,093	19,729	AR1UNV-150WT5-BZW50		
200	Type III	B4-U0-G4	25,213	27,608	27,437	AR1UNV-300WT3-BZW50	90%	169,000
	Type V	B5-U0-G2	25,121	27,021	26,527	AR1UNV-300WT5-BZW50		
250	Type III	B4-U0-G4	31,516	34,510	34,296	AR1UNV-300WT3-BZW50		
	Type V	B5-U0-G2	31,402	33,777	33,159	AR1UNV-300WT5-BZW50		
300	Type III	B4-U0-G4	37,820	41,413	41,155	AR1UNV-300WT3-BZW50		
	Type V	B5-U0-G2	37,682	40,532	39,791	AR1UNV-300WT5-BZW50		

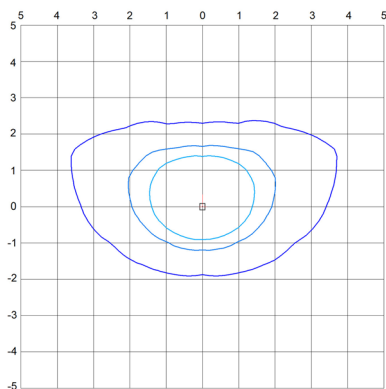
[†] Lumen maintenance data is based on LED testing per IESNA LM-80 and projected per IESNA TM-21

Photometrics

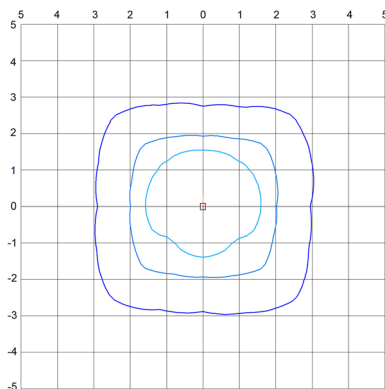
Fixtures Mounted at 30ft
Grid is multiples of mounting height

- 0.1
- 0.5
- 1.0

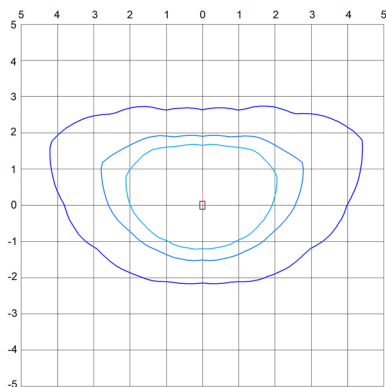
150W T3



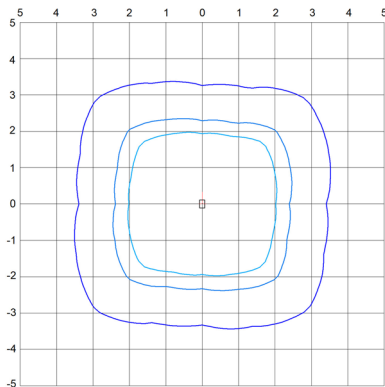
150W T5



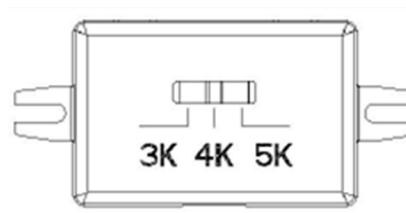
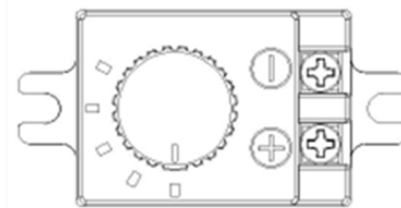
300W T3



300W T5



Field Adjustable Switches



EPA

	EPA Side (ft ²) ^a	EPA Bottom w/ AC17341 (ft ²) ^b
AR1-150W	0.32	1.62
AR1-300W	0.5	2.15
AC17341	0.2	
AC17343	0.13	
AC17345	0.14	
AC17347	0.48	

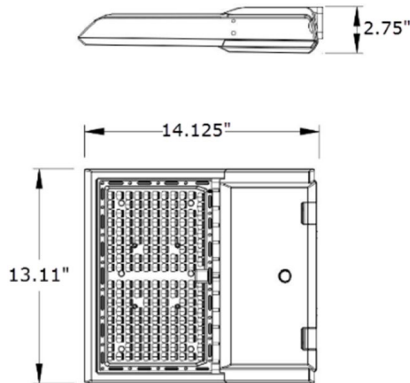
Notes:

- a: Area Lighting Application
- b: Flood Lighting Application

Dimensions

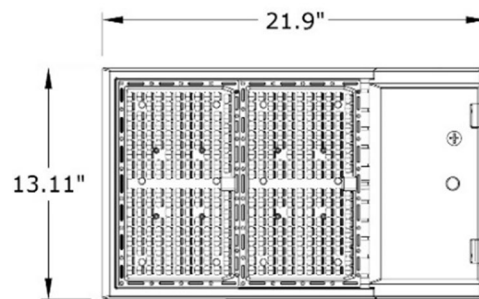
150W

Weight: 14 lb (6.35 kg)



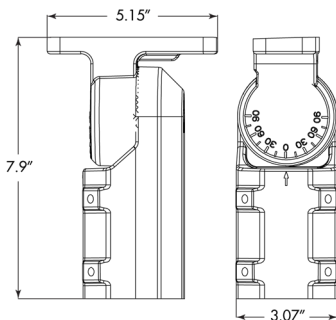
300W

Weight: 16.5 lb (7.5 kg)

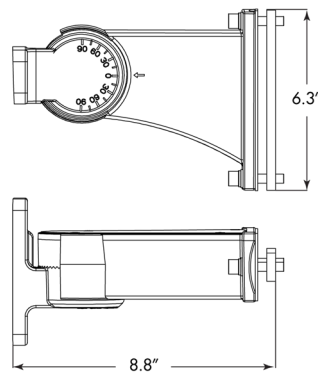


Mounting Arm Options

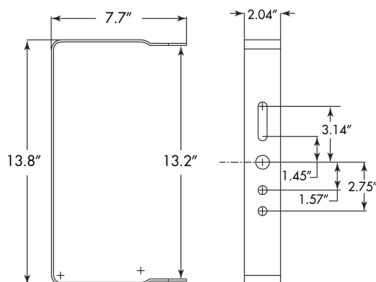
AC17341 for 100-300W



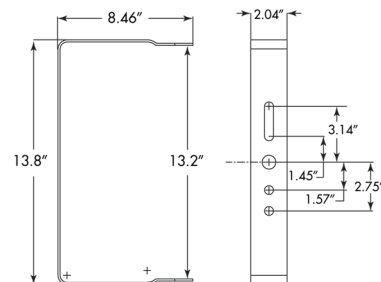
AC17347 for 100-300W



AC17343 for 100-150W

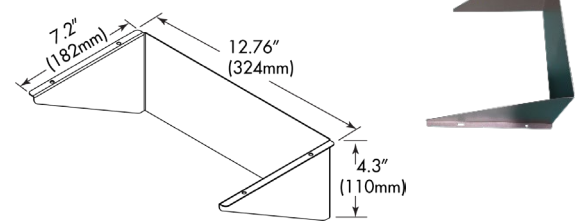


AC17345 for 200-300W

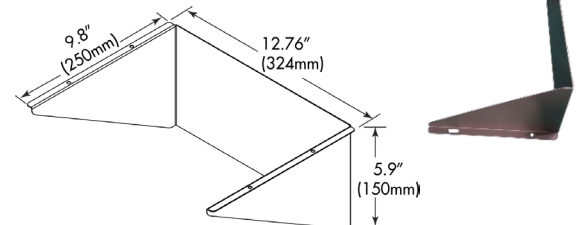


Backlight Shields

AC17622 for 100-150W, Type 3 only



AC17624 for 200-300W, Type 3 only



(800) 451-2606

6675 Parkland Blvd., Suite 100

Solon, Ohio 44139 USA

Email: Venture_Lighting@VentureLighting.com

VentureLighting.com

