

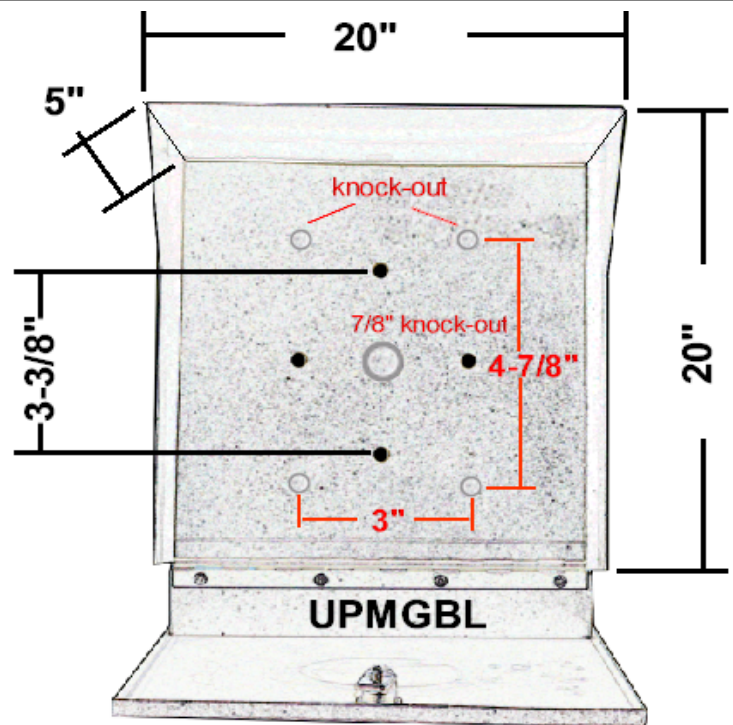
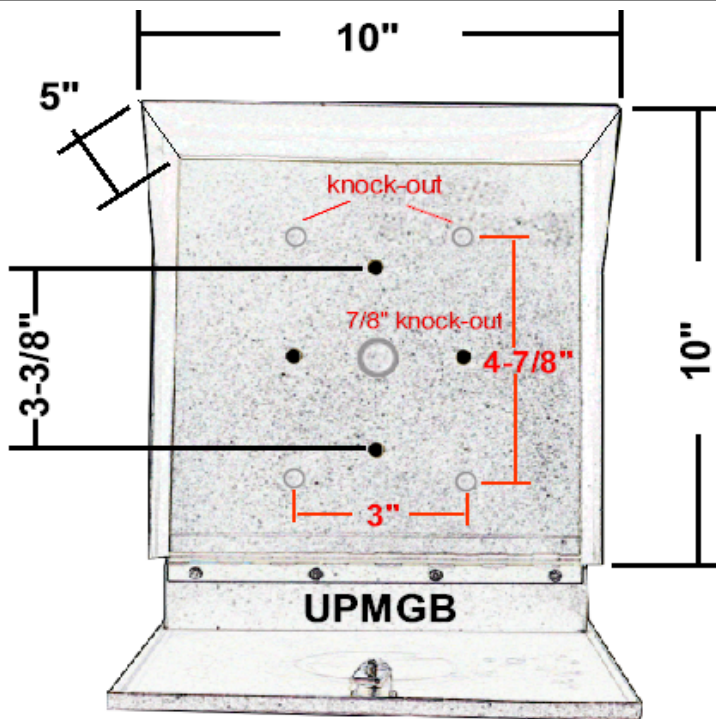
# UPMGBS ■ UPMGB ■ UPMGBL

## STANDARD UNIVERSAL GANG BOX

- USE TO MOUNT A WIEGAND CARD READER OR OTHER MANUFACTURER'S EQUIPMENTS
- DESIGN TO BE MOUNTED ON OUR UNIVERSAL PEDESTAL MOUNTING POST
- BUILT-IN LOCK
- WEATHER HOOD
- PLENTY OF SPACE FOR WIRE CONNECTION
- LIGHT WEIGHT PRESS STEEL ON FACE PLATE WITH 16- GAUGE COLD ROLLED STEEL WEATHERIZED BACK BOX.
- WEIGHT UPMGB = 7 LBS, UPMGBL = 15 LBS, UPMGBS = 4 LBS



### TECHNICAL SPECIFICATION



#### Mfg. Part No.

- UPMGBS Small Size 7" (H) X 7" (W) X 2.5" (D)  
 UPMGB Standard Size 10"(H) x 10"(W) x 2" (D)  
 UPMGBL Large Size 20"(H) x 20"(W) x 2" (D)

#### Accessories

- UPM1S: 42"h, 5" x 5" Base Plate and Cover  
 UPM4S: 47"h, 5" x 5" Base Plate and Cover  
 UPM5: 47"h, Dual Horizontal 8" x 8" Base Plate and Cover  
 UPM1L: 47"h, 8" x 8" Base Plate and Cover

UPM2: 84" h Dual Vertical Auto, RV and Truck/Bus 8" x 8" Base Plate and Cover

- UPM6L: 64" SUV, Small Truck/Bus 8" x 8" Base Plate and Cover  
 UPM8L: 84" h SUV, Small Truck/Bus 8" x 8" Base Plate and Cover  
 UPMDB64: 64"h Standard Direct Burial  
 UPMDB72: 72"h Standard Direct Burial

Specifications subject to change without prior notice.