

Embedded Solutions



PCIe M.2 SSDs

MTE370T

Transcend's M.2 2230 SSD MTE370T features state-of-the-art 3D NAND technology, which allows 112 layers of 3D NAND flash chips to be vertically stacked. This density breakthrough greatly improves storage efficiency. The MTE370T features the PCI Express (PCIe) Gen 3 x4 interface and is compatible with NVMe Express (NVMe) 1.3 specifications to achieve never-before-seen transfer speeds. Applied with the 30 μ m gold finger PCB and Corner Bond technology, the MTE370T is fully tested in-house to guarantee reliability in mission-critical applications, boasting an endurance rating of 3K Program/Erase cycles and an extended operating temperature ranging from -20°C~75°C.

Hardware Features

- Compliant with RoHS 2.0 standards
- Compliant with NVMe Express specification 1.3
- Compliant with PCI Express specification 3.1
- Single-sided to fit perfectly in small form factor devices
- PCIe Gen 3 x4 interface

Firmware Features

- Supports NVMe command
- SLC caching technology
- Dynamic thermal throttling
- Built-in LDPC ECC (Error Correction Code) functionality
- Advanced Garbage Collection

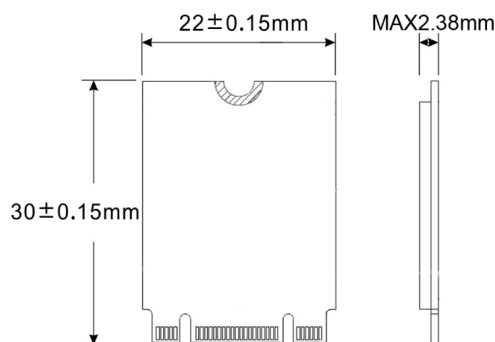
Ordering Information

256GB	TS256GMTE370T
512GB	TS512GMTE370T
1TB	TS1TMTE370T

Specifications

Appearance	Dimensions	30 mm x 22 mm x 2.38 mm (1.18" x 0.87" x 0.08")
	Weight	4 g (0.14 oz)
	M.2 Type	2230-S2-M
	Form Factor	M.2 2230
Interface	Bus Interface	NVMe PCIe Gen3 x4
Storage	Capacity	256 GB / 512 GB / 1 TB
	Flash Type	112-layer 3D NAND flash
Operating Environment	Operating Voltage	3.3V±5%
	Operating Temperature	Extended Temp. -20°C (-4°F) ~ 75°C (185°F)
	Storage Temperature	-55°C (-67°F) ~ 75°C (167°F)
	Humidity	5% ~ 95%
	Shock	1500 G, 0.5 ms, 3 axis
	Vibration (Operating)	20 G (peak-to-peak), 7 Hz ~ 2000 Hz (frequency)
Power	Power Consumption (Operation)	3.5 watt(s)
	Power Consumption (IDLE)	0.53 watt(s)
Performance	Sequential Read/Write (CrystalDiskMark)	Read: Up to 2,000 MB/s Write: Up to 1,700 MB/s
	4K Random Read/Write (IOmeter)	Read: Up to 140,000 IOPS Write: Up to 280,000 IOPS
	Mean Time Between Failures (MTBF)	3,000,000 hour(s)
	Terabytes Written (TBW)	Up to 960 TBW
	Drive Writes Per Day (DWPD)	0.88 (3 yrs)
Warranty	Certificate	CE / UKCA / FCC / BSMI
	Warranty	Three-year Limited Warranty

Mechanical Dimensions



Product specifications are subject to change without notice. Pictures shown may differ from actual products. Total accessible capacity varies depending on operating environment. Due to the complexity and variety of industrial applications, Transcend cannot guarantee 100% compatibility with all platforms and under all scenarios. For special applications and environments, it is strongly suggested that you contact Transcend beforehand for clarification.