

TS-921 Y

CHAIRMAN UNIT



The TS-921 is a Chairman unit of the Infrared Conference system. Since the system is cordless, it can be easily installed and removed. The Chairman unit features a priority speech key which allows it to take precedence over the TS-922 Delegate units when speaking. It can be operated on either the AD-0910 AC adapter or the BP-900A lithium-ion battery. It is equipped with a remaining battery indicator. Two types of dedicated microphones are made available for the TS-921 as optional products: the TS-923, TS-903 standard type and the TS-924, TS-904 long type.

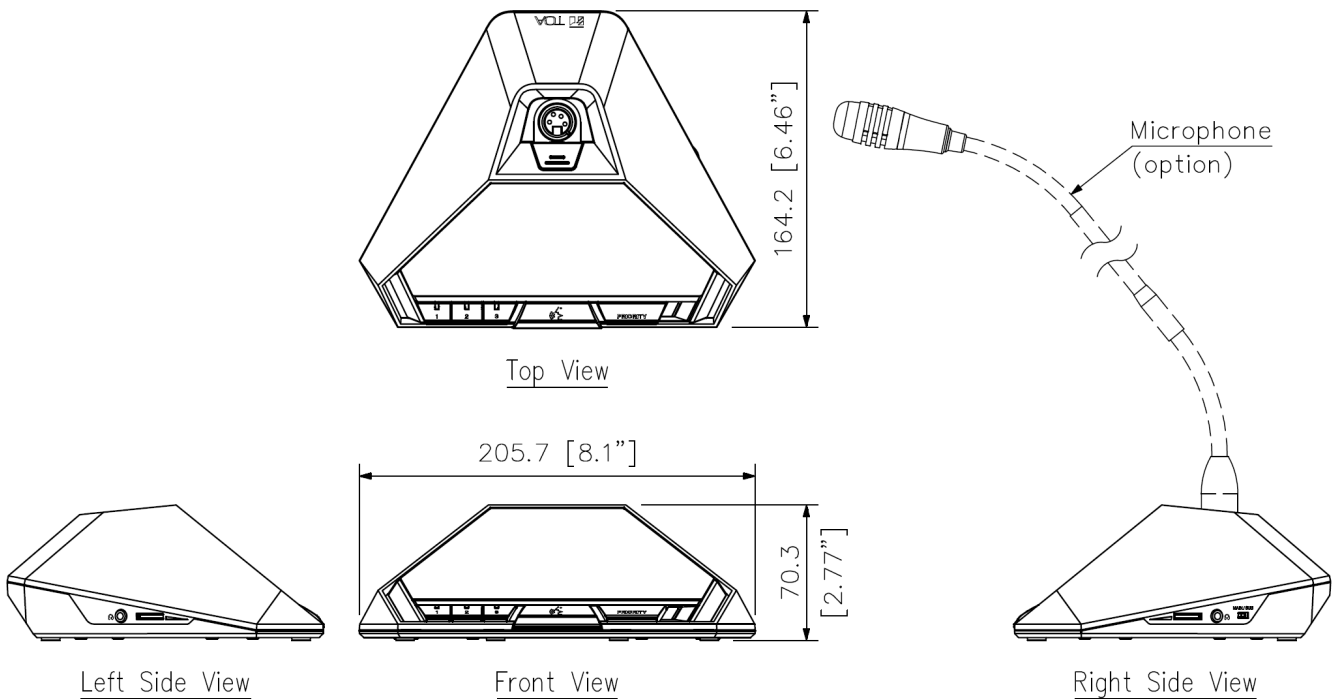
Key features

- Chairman unit for basic discussion
- Priority button
- Equipped with voting function
- 0.2W monitor speaker
- Audio monitoring switch (Main or Sub)
- 2 headphone jacks with individual volume control
- Approx. 10 hours continuous operation with the use of optional rechargeable lithium-ion battery

Specifications

| | |
|-----------------------|---|
| Power Source | 7.2 V DC (supplied from optional lithium-ion battery), 9 V DC (supplied from optional AC adapter) |
| Current Consumption | Max. 390 mA Infrared Emitter/Detector |
| Input | Microphone terminal: XLR-4-31 type |
| Output | Monitor speaker: 8 Ω, 0.2 W Headphone: Ø3.5 mm mini Jack (3P:monaural) x 2 |
| LED Indicator | Speech indicator, Voting status indicators 1 -3, Power indicator |
| Function | Monitor volume control, Headphone volume control, Priority speech function, Voting function, Monitor selector switch (MAIN/SUB) |
| Battery Life | Approx. 10 hours |
| Operating Temperature | 0 °C to +40 °C (32 °F to 104 °F) |
| Operating Humidity | 90 %RH or less (no condensation) |
| Finish | Case: PC resin, black Speaker net: black, mat finish, paint |
| Dimensions | 205.7 (W) x 70.3 (H) x 164.2 (D) mm (8.1 x 2.77" x 6.46") |
| Weight | 525 g (1.16 lb) |
| Optional Accessories | Microphone: TS-923, TS-903, TS-924, TS-904 (Select either one.) |

Dimensions



UNIT: mm

A&E specifications

The Chairman Unit shall feature a priority speech key, which allows it to take precedence over the Delegate Unit when speaking. The unit shall have base language/translation language selection function. The Chairman Unit shall provide microphone-input terminal using the combined type of XLR-4-31 connector for the (optional) standard microphone or the (optional) long microphone. The Chairman Unit shall include a monitor speaker (8 ohms, 0.2 watts) and two of headphone mini jacks. The monitor speaker volume and two headphone outputs volume shall be adjustable. The Chairman Unit shall include an LED indicator, which shall provide a speech indicator, power indicator / low battery indicator and out of communication range indicator. Built-in DIP switch on its bottom shall enable the following settings: Priority operation setting, Priority chime mute setting, and Priority speech key operation setting. The Chairman Unit shall operate on 7.2V DC (using the optional Lithium-Ion Battery) or 9V DC (using the optional AC Power Supply). Two types of dedicated microphones shall be available as optional products: the standard type and the long type. The Chairman Unit shall weigh 525g (1.16 lbs) and be constructed of PC resin with black finish. The dimensions shall be 205.7 (W) x 70.3 (H) x 164.2 (D) mm (8.10" x 2.77" x 6.46").

The Chairman Unit shall be the TOA model TS-921. The standard microphone shall be the TOA model TS-923. The long microphone shall be the TOA model TS-924. The AC Power Supply shall be the TOA model AD-0910. The Lithium-Ion Battery shall be the TOA model BP-900A.