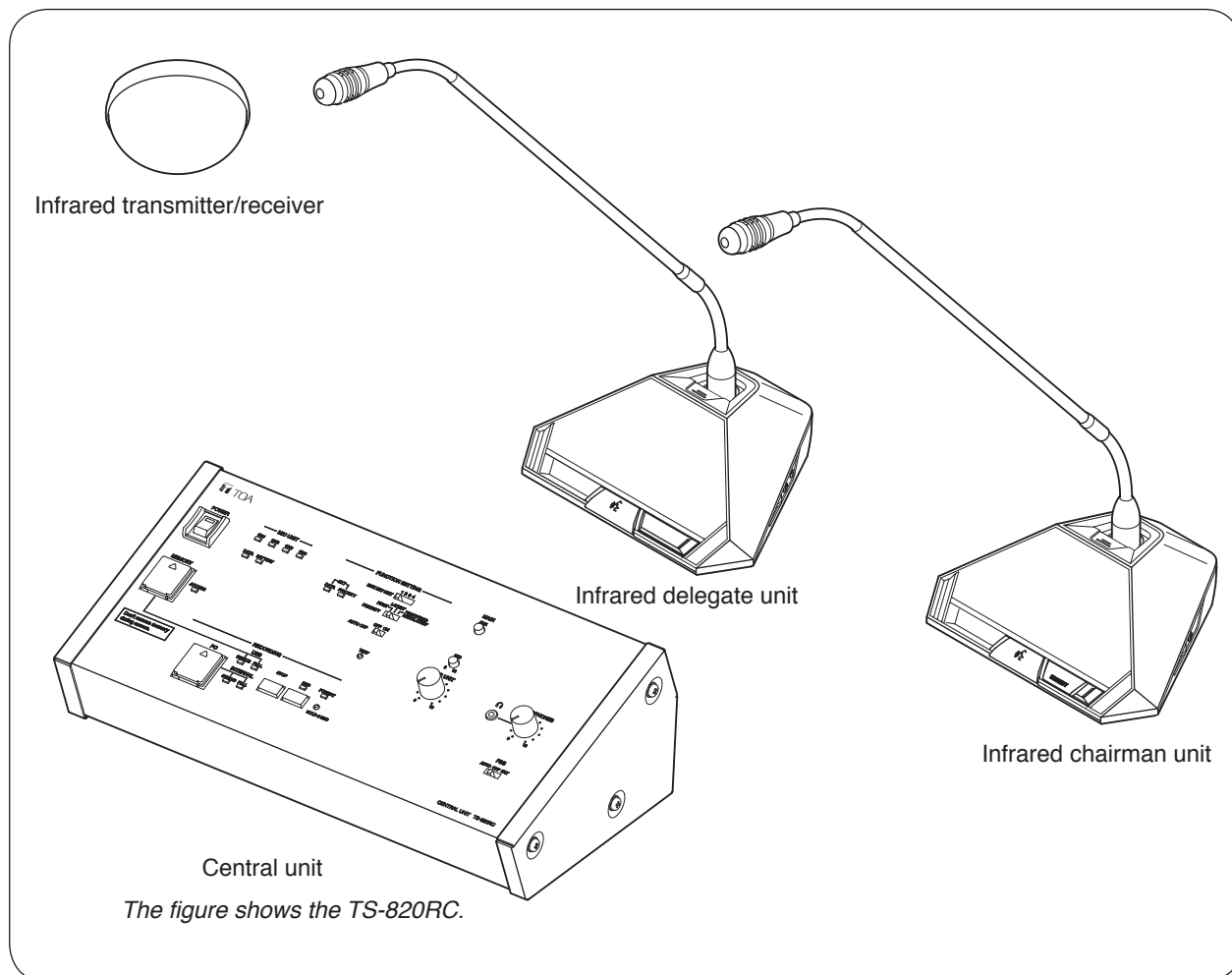




INSTRUCTION MANUAL

CONFERENCE SYSTEM

TS-820 SERIES



Thank you for purchasing TOA's Conference system.

Please carefully follow the instructions in this manual to ensure long, trouble-free use of your equipment.

TABLE OF CONTENTS

1. SAFETY PRECAUTIONS	4
2. GENERAL DESCRIPTION	7
3. FEATURES	7
4. SYSTEM EQUIPMENT CONFIGURATION	8
5. NOMENCLATURE AND FUNCTIONS	9
5.1. Central Unit TS-820RC, TS-820	9
5.2. Infrared Chairman Unit TS-821	13
5.3. Infrared Delegate Unit TS-822	15
6. SYSTEM CONNECTION EXAMPLES	18
7. INFRARED TRANSMITTER/RECEIVER INSTALLATION AND CONNECTIONS	19
7.1. Notes on Installation of the Infrared Transmitter/Receiver Unit	19
7.2. Infrared Service Areas	20
7.3. Infrared Transmitter/Receiver Arrangement Examples	22
7.4. Wiring between the Infrared Transmitter/Receiver Unit and the Central Unit	23
7.5. Mounting the Infrared Transmitter/Receiver Unit	25
7.6. Connections between the Infrared Transmitter/Receiver Unit and the Central Unit	27
8. USING WIRED MICROPHONES AND SOUND SOURCE EQUIPMENT	31
8.1. Wired Microphone Use	31
8.2. Sound Source Equipment Use	31
9. RECORDING EQUIPMENT CONNECTION	32
10. CONFERENCE UNIT INSTALLATION AND SETTINGS	32
11. INFRARED CONFERENCE UNIT POWER SUPPLY	34
11.1. BP-900A Lithium-Ion Battery	34
11.2. AD-0910 AC Adapter	36
12. MOUNTING THE CENTRAL UNIT ON A RACK	37
13. INSTALLATION STATUS CONFIRMATION	38
14. FUNCTION SETTINGS	39
14.1. Setting the Maximum Number of Open Microphone	39
14.2. Speech Priority Settings	39
14.3. Mic-Off Function	40
15. OPERATION	41
15.1. Initiating Speech	41
15.2. Initiating Priority Speech (TS-821 only)	42
15.3. Using the Recording Function (TS-820RC only)	44

16. IF ACOUSTIC FEEDBACK OCCURS	50
16.1. Using the Built-in FBS Function	50
16.2. Using an External Graphic Equalizer	50
17. IF A FAILURE IS DETECTED	51
17.1. Infrared Chairman Unit TS-821 and Infrared Delegate Unit TS-822	51
17.2. Central Unit TS-820RC/820	52
17.3. Battery Charger BC-900	53
18. APPENDIX (INFRARED TRANSMITTER/RECEIVER CONNECTION)	54
18.1. Wiring Design	54
18.2. Design Examples	56
19. SPECIFICATIONS	62
19.1. Central Unit TS-820RC	62
19.2. Central Unit TS-820	63
19.3. Infrared Chairman Unit TS-821, Infrared Delegate Unit TS-822	64
19.4. Microphone (standard) TS-923, Microphone (long) TS-924	65
19.5. Infrared Transmitter/Receiver TS-905, TS-907	65
19.6. Lithium-Ion Battery BP-900A	66
19.7. Battery Charger BC-900	66
19.8. AC Adapter AD-0910	66
19.9. Distributor YW-1022 (2-branch distributor), YW-1024 (4-branch distributor)	67
19.10. Rack Mounting Bracket MB-TS920	67

1. SAFETY PRECAUTIONS

- Before installation or use, be sure to carefully read all the instructions in this section for correct and safe operation.
- Be sure to follow all the precautionary instructions in this section, which contain important warnings and/or cautions regarding safety.
- After reading, keep this manual handy for future reference.

Safety Symbol and Message Conventions

Safety symbols and messages described below are used in this manual to prevent bodily injury and property damage which could result from mishandling. Before operating your product, read this manual first and understand the safety symbols and messages so you are thoroughly aware of the potential safety hazards.



DANGER

Indicates an imminently hazardous situation, which, if not avoided, will result in death or serious injury.

When the Unit is in Use

Applicable to Lithium-ion battery

- Should the following irregularity be found during use, immediately switch off the power, take the batteries out of the unit, and keep them away from fire. Failure to do so may cause a fire or explosion.
 - If you find battery leakage, discoloration, deformation or damage.
 - If you detect smoke or a strange smell coming out from the batteries.
- Do not deform, modify, nor solder the batteries. Doing so may damage the battery's safety or protector mechanism, causing the batteries to fire, leak, or explode.
- Never short the positive and negative terminals with a wire or other metallic objects. Also, avoid carrying or keeping the batteries with metallic objects such as necklaces or hair pins. Doing so may cause the batteries to fire, explode, leak, or heat.
- Never heat the batteries nor throw them into a fire. Doing so may damage the battery's gas relief valve or safety mechanism, causing the batteries to fire or explode.
- Do not dip the batteries into water nor wet the battery terminals. This may corrode the batteries, possibly causing them to fire, explode, leak, or heat.
- Note correct polarity (positive and negative orientation) when inserting the batteries into a battery charger. Doing otherwise may cause them to fire, explode, leak, or heat.
- Do not use, keep, nor leave the batteries near fire or in locations where the temperature rises above 60°C such as in a sun-heated car. Doing so may damage the battery's safety or protector mechanism, causing the batteries to fire, explode, leak, or heat.
- Be sure to use the BC-900 Battery charger when recharging the batteries. Using other battery charger may cause them to fire, explode, leak, or heat.
- Use the batteries only with the equipment specified. Failure to do so may cause the batteries to fire, explode, leak, or heat.
- Do not drop the batteries nor give them a shock. Doing so may damage the battery's safety or protector mechanism, causing the batteries to fire, explode, leak, or heat.
- There is a fear of losing one's eyesight if a battery leakage gets in one's eyes. Wash it away with clean water and consult a doctor immediately. If a battery leakage stains one's skin or clothes, wash it away with clean water as there is a fear of impairing the skin.



WARNING

Indicates a potentially hazardous situation which, if mishandled, could result in death or serious personal injury.

When Installing the Unit

Applicable to Central unit, Conference unit, Battery charger, and AC adapter

- Use the unit only with the voltage specified on the unit. Using a voltage higher than that which is specified may result in fire or electric shock.

- Do not cut, kink, otherwise damage nor modify the power supply cord. In addition, avoid using the power cord in close proximity to heaters, and never place heavy objects -- including the unit itself -- on the power cord, as doing so may result in fire or electric shock.
- Do not expose the unit to rain or an environment where it may be splashed by water or other liquids, as doing so may result in fire or electric shock.
- Avoid installing or mounting the unit in unstable locations, such as on a rickety table or a slanted surface. Doing so may result in the unit falling down and causing personal injury and/or property damage.

When the Unit is in Use

Applicable to Central unit, Conference unit, Battery charger, and AC adapter

- Should the following irregularity be found during use, immediately switch off the power, disconnect the power supply plug from the AC outlet and contact your nearest TOA dealer. Make no further attempt to operate the unit in this condition as this may cause fire or electric shock.
 - If you detect smoke or a strange smell coming from the unit.
 - If water or any metallic object gets into the unit
 - If the unit falls, or the unit case breaks
 - If the power supply cord is damaged (exposure of the core, disconnection, etc.)
 - If it is malfunctioning (no tone sounds.)
- To prevent a fire or electric shock, never open nor remove the unit case as there are high voltage components inside the unit. Refer all servicing to your nearest TOA dealer.
- Do not place cups, bowls, or other containers of liquid or metallic objects on top of the unit. If they accidentally spill into the unit, this may cause a fire or electric shock.
- Do not insert nor drop metallic objects or flammable materials inside the unit, as this may result in fire or electric shock.
- Do not touch a plug during thunder and lightning, as this may result in electric shock.

Applicable to Battery charger and Lithium-ion battery

- Stop charging if the batteries are not fully charged within 5 hours. Continuously charging over 5 hours may cause the batteries to fire, explode, leak, or heat.

Applicable to Central unit and Conference unit



- To prevent possible hearing damage, do not listen at high volume levels for long periods.



CAUTION

Indicates a potentially hazardous situation which, if mishandled, could result in moderate or minor personal injury, and/or property damage.

When Installing the Unit

- These servicing instructions are for use by qualified personnel only. To reduce the risk of electric shock, do not perform any servicing other than that contained in the operating instructions unless you are qualified to do so. Refer all servicing to qualified service personnel.

Applicable to Central unit

- Be sure to follow the instructions below when rack-mounting the unit. Failure to do so may cause a fire or personal injury.
 - Install the equipment rack on a stable, hard floor. Fix it with anchor bolts or take other arrangements to prevent it from falling down.
 - When connecting the unit's power cord to an AC outlet, use the AC outlet with current capacity allowable to the unit.
 - The rack-mounting screws supplied with the rack mounting bracket can be used for the TOA equipment rack only. Do not use them for other racks.

Applicable to Central unit, Conference unit, Battery charger, and AC adapter

- Never plug in nor remove the power supply plug with wet hands, as doing so may cause electric shock.
- When unplugging the power supply cord, be sure to grasp the power supply plug; never pull on the cord itself. Operating the unit with a damaged power supply cord may cause a fire or electric shock.
- When moving the unit, be sure to remove its power supply cord from the wall outlet. Moving the unit with the power cord connected to the outlet may cause damage to the power cord, resulting in fire or electric shock. When removing the power cord, be sure to hold its plug to pull.
- Avoid installing the unit in humid or dusty locations, in locations exposed to the direct sunlight, near the heaters, or in locations generating sooty smoke or steam as doing otherwise may result in fire or electric shock.

When the Unit is in Use

Applicable to Central unit, Conference unit, Battery charger, and AC adapter

- Do not place heavy objects on the unit as this may cause it to fall or break which may result in personal injury and/or property damage. In addition, the object itself may fall off and cause injury and/or damage.
- If dust accumulates on the power supply plug or in the wall AC outlet, a fire may result. Clean it periodically. In addition, insert the plug in the wall outlet securely.
- Switch off the power, and unplug the power supply plug from the AC outlet for safety purposes when cleaning or leaving the unit unused for 10 days or more. Doing otherwise may cause a fire or electric shock.

Applicable to Central unit, Conference unit, and Battery charger

- Use the dedicated AC adapter for the unit. Note that the use of other adapter may cause a fire.

Applicable to Central unit and Conference unit

- Make sure that the volume control is set to minimum position before power is switched on. Loud noise produced at high volume when power is switched on can impair hearing.

Applicable to Conference unit

- When the unit is not in use for 10 days or more, be sure to take the battery out of the unit because battery leakage may cause a fire, personal injury, or contamination of environment.

Applicable to Battery charger

- Remove the power supply plug of charger from the AC outlet after charging completion, as doing otherwise may cause a fire.

Applicable to Lithium-ion battery

- When you discard batteries, please contact the local dealer from whom you bought.

Applicable to Central unit, Conference unit, and Battery charger

This is a class A product.
In a domestic environment this product may cause radio interference in which case the user may be required to take adequate measures.

CAUTION: Risk of explosion if the battery is replaced by an incorrect type.

This conference system is not suitable for use in locations where children are likely to be present.

2. GENERAL DESCRIPTION

The TOA TS-820 Series conference system employs its infrared wireless system unit.

The Infrared chairman and Delegate units (collectively referred to as "Conference units") provide wireless communication via the Infrared transmitter/receiver unit connected to the Central unit. Since wiring to the individual Conference units is not required, they can be easily installed in freely versatile configurations.

A total of up to 64 Infrared conference units can be connected to the Central unit of each system.

The Infrared transmitter/receiver unit is required for connection of the Infrared conference units. (Refer to p. 19.)

The Central unit is used to perform system function settings, status display, etc.

3. FEATURES

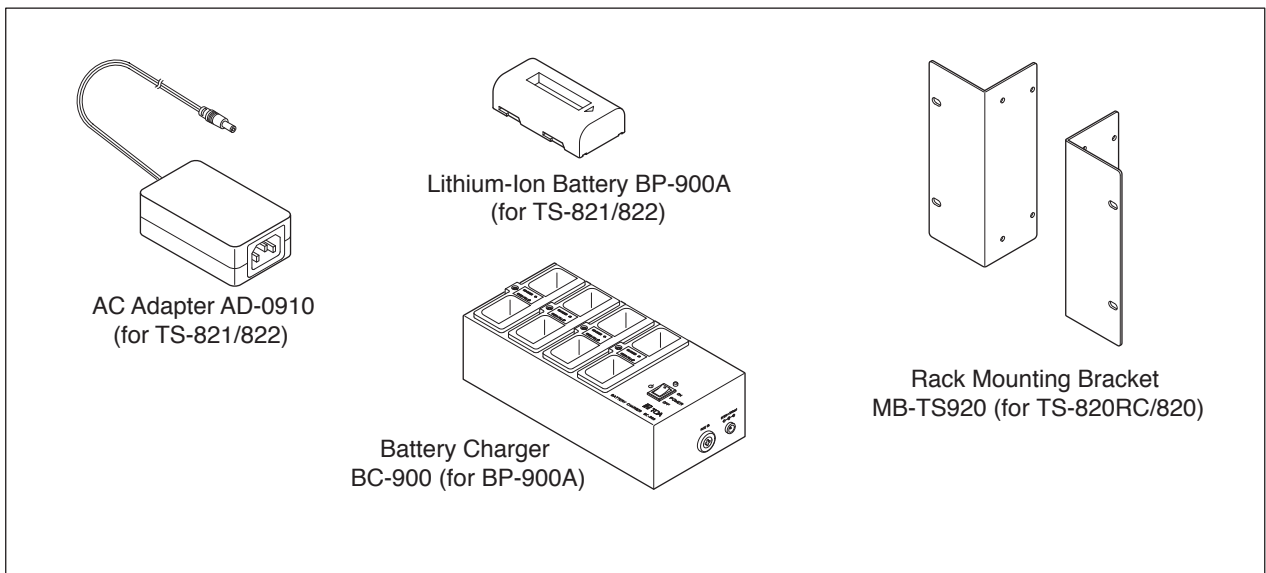
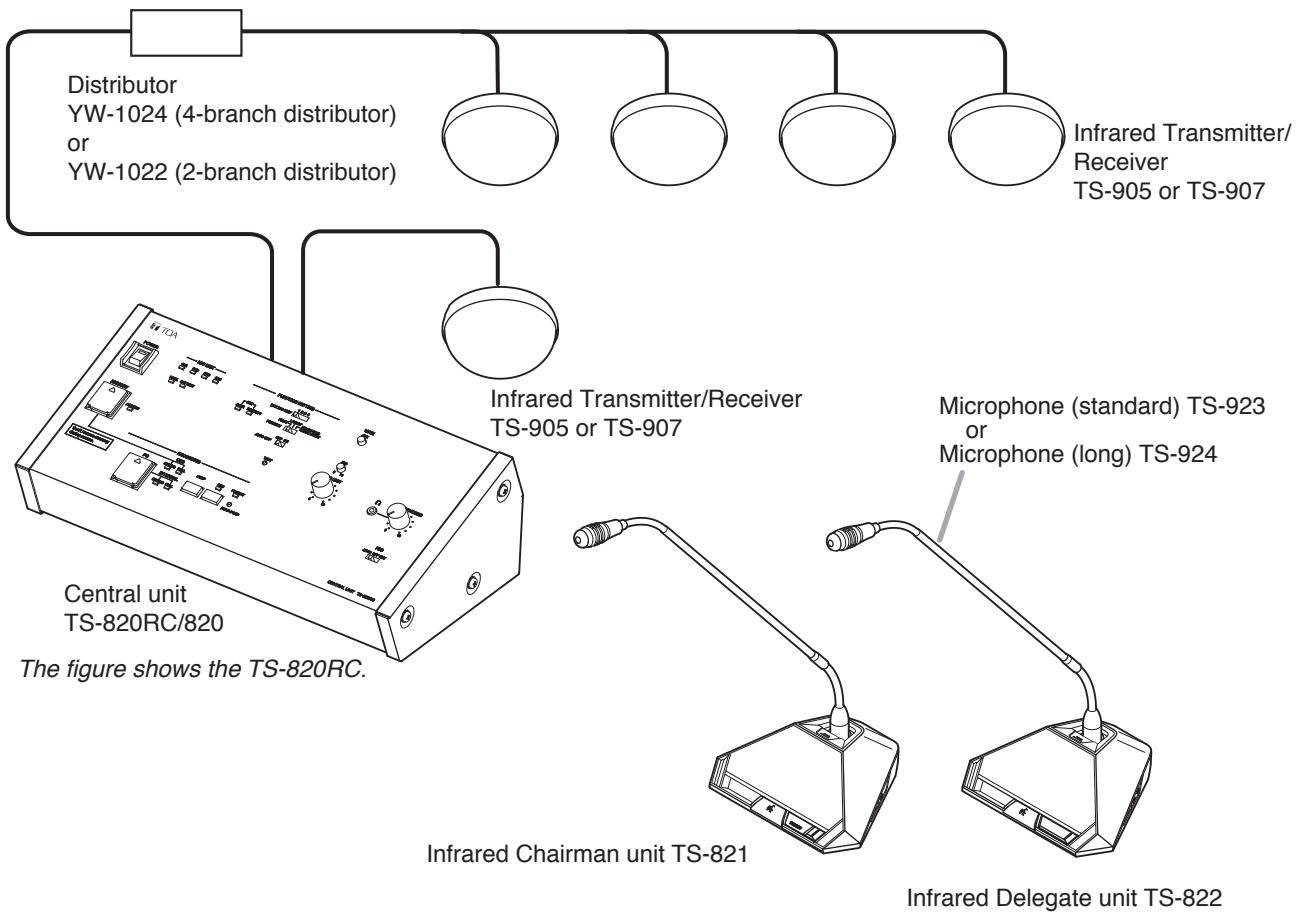
- The number of Conference units to be used can be freely selected depending on the number of participants. A total of up to 64 Conference units can be installed in a single system.
- Open Microphones Number Setting function supports well-organized meeting, avoiding the confusion that can result from too many speakers trying to talk simultaneously.
- A Speech Priority Selector function permits selection of operating priority (first-in-first-out or last-in-first-out) when the Speech key is pressed.
- If any microphones are not manually turned off after speaking, the system's Mic-Off function automatically switches them off if not in use for approximately 30 seconds.
- A built-in Feedback Suppression Function (FBS) ensures more efficient reduction of acoustic feedback*. When Conference units are in use, their monitor speakers are automatically turned off, eliminating concerns about acoustic feedback.
- Depending on installation requirements, wired microphones, music playing equipment and other devices can be freely combined and used within the system.
- The Central unit has a recording function that allows it to save recorded files to either a portable USB memory device or its own internal memory. An external recording device can also be connected, making it ideal for recording the minutes of a conference. (TS-820RC only)

* Acoustic feedback: The squeal or howl of a sound loop created when speaker output is picked up by a microphone, amplified by an amplifier and further output from the speaker again.

[Conference unit]

- Features a selection of both Chairman and Delegate units.
- Chairman units feature a Priority Speech Key Operation function that allows the Chairman unit to take speech priority over the Delegate units with the simple press of a button.
- Conference unit microphones are attached via XLR connectors that permit easy detachment for more space-saving convenience in storage.
- Two types of Conference unit microphones are made available and freely interchangeable: Standard type and Long type.
- Infrared signal communication eliminates worries about radio interference and eavesdropping, making it possible to use the system simultaneously in adjacent rooms.
- Units can be powered by either line AC or rechargeable lithium-ion batteries.
- Up to 16 TS-905 Infrared Transmitter/Receiver units, or up to 12 TS-907 units can be installed in a single system. (If both models are combined in the same system, a total of up to 12 units can be installed.)

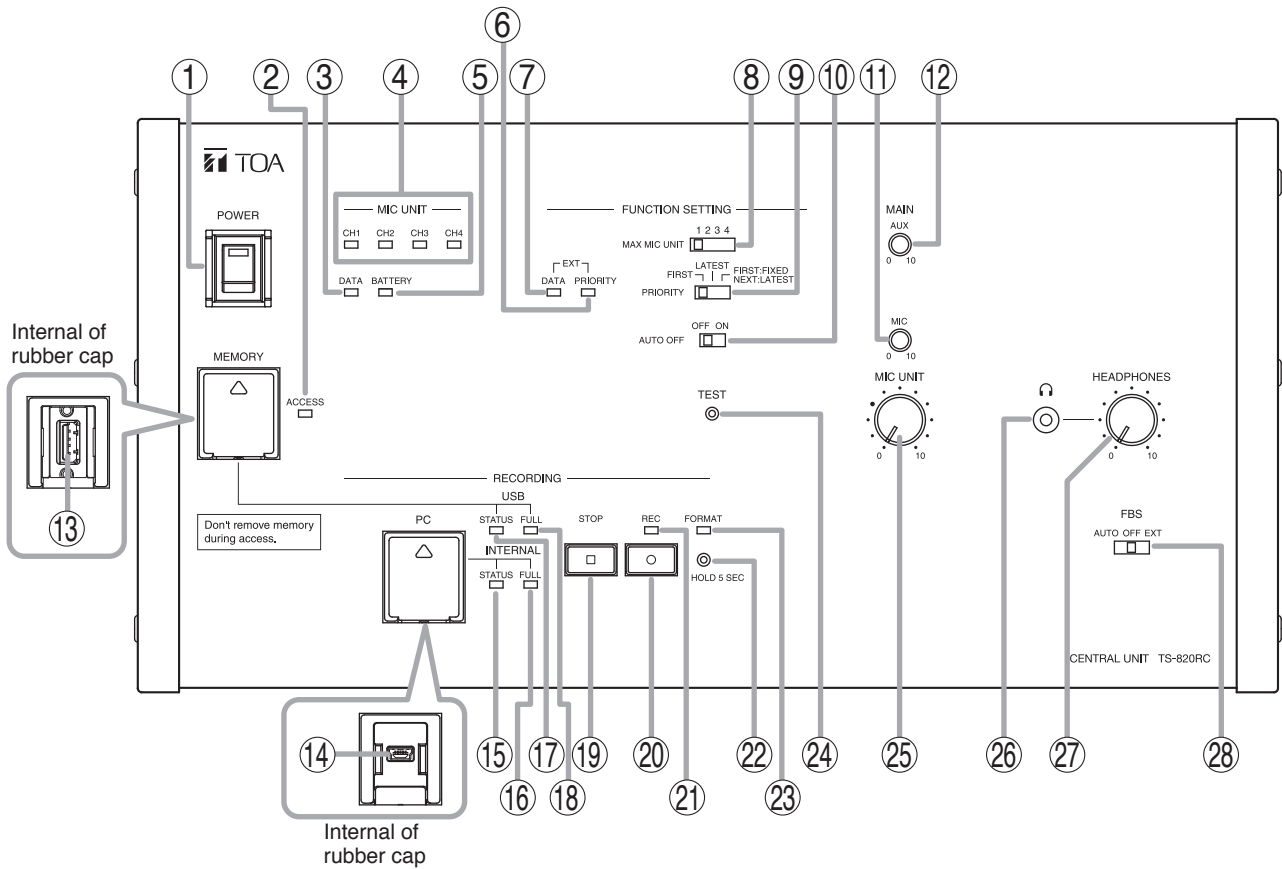
4. SYSTEM EQUIPMENT CONFIGURATION



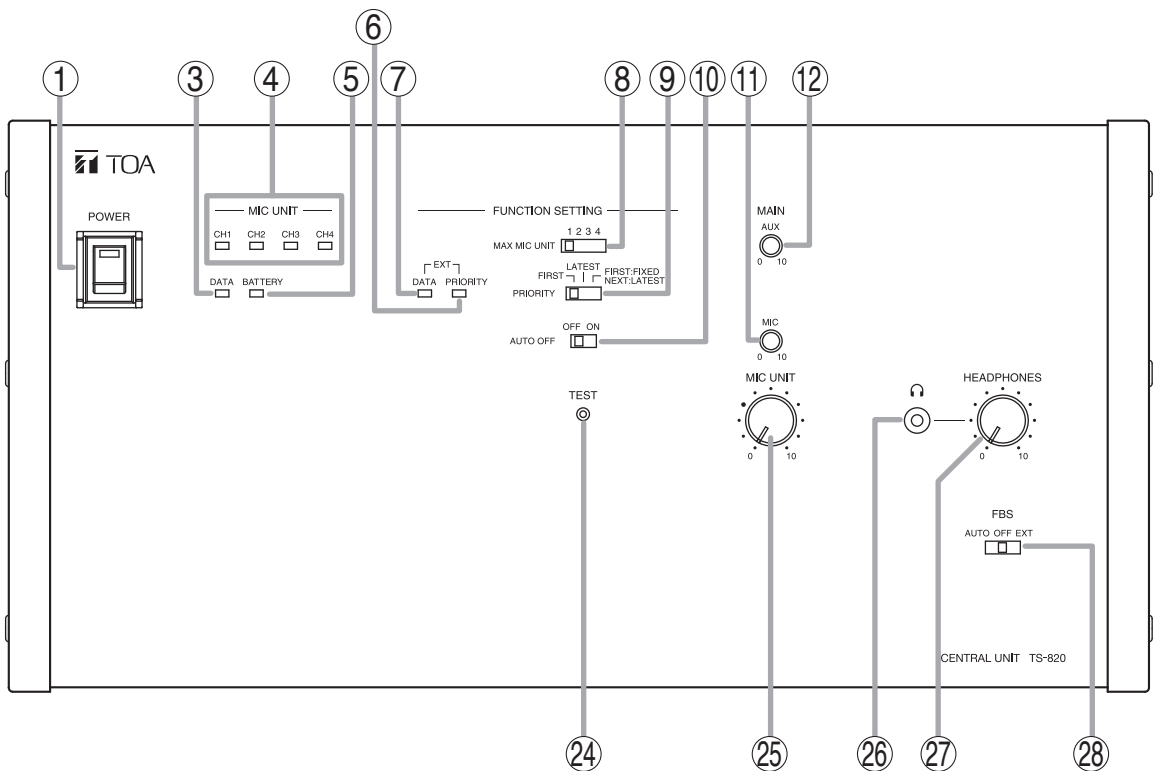
5. NOMENCLATURE AND FUNCTIONS

5.1. Central Unit TS-820RC, TS-820

[TS-820RC Top]



[TS-820 Top]



1. Power switch [POWER]

Setting this switch to the ON position causes the Power indicator to light.

2. Access indicator (green) [ACCESS]

Continues to remain lit while recording to the inserted USB memory device is in progress.

Note

Avoid removing the USB memory device or turning off the Power switch (1) while this indicator is lit.

3. Data signal receiving indicator [DATA]

Lights when control data is received from the Conference unit.

4. Audio signal receiving indicators [MIC UNIT, CH1/CH2/CH3/CH4]

Light up when audio signals are received from Conference units. Audio signals are transmitted or received through 4 channels. The number of channels to be used can be set with the Number of open microphones setting switch (8). These indicators light in the same number as that of the Conference units currently being used for speech. (Which indicator will light is not specified.)

5. Battery indicator [BATTERY]

Flashes when the lithium-ion battery of the Infrared Conference unit nears complete discharge. (In this event, the Microphone in-use indicator and the Speech indicator on the corresponding unit also flash.)

Note

Be sure to immediately replace the lithium-ion battery of the corresponding unit with the fully-charged one if this indicator begins to flash.

6. External control priority indicator [EXT, PRIORITY]

Either lights or flashes when a PC or operation panel connected to the External Control terminal (31) or (33) performs priority operation. In this event, three function setting switches (8), (9), and (10) cannot be used.

7. External control communication indicator [EXT, DATA]

Remains lit during communications with a computer (PC) or operation panel connected to the External Control terminal (31) or (33).

8. Number of open microphones setting switch [MAX MIC UNIT, 1/2/3/4]

Used to set the number of Conference units that can be simultaneously operated. The indications [1], [2], [3], and [4] represent the number of simultaneously operable units.

(Refer to p. 39 "Setting the Maximum Number of Open Microphone.")

Note

This switch is factory-preset to the [1] position.

9. Speech priority selector switch [PRIORITY]

Determines the priority mode when the Talk key of the Conference unit is pressed. (Refer to p. 39 "Speech Priority Settings.")

FIRST	First-in-first-out priority
LATEST	Last-in-first-out priority
FIRST:FIXED NEXT:LATEST	Priority fixed for the first unit, and last-in-first-out priority for all other subsequent units.

Note

This switch is factory-preset to the [FIRST] position.

10. Mic-off setting switch [AUTO OFF]

Automatically turns off Conference unit microphones 30 seconds after speech is completed if the user should neglect to turn off the microphone. (Refer to p. 40 "Mic-Off Function.")

Note

This switch is factory-preset to the OFF position.

11. MIC input volume control [MIC]

Adjusts the input level of the MIC Input Terminal (30) on the rear panel.

12. AUX input volume control [AUX]

Adjusts the input signal level of the AUX Input Terminal (29) located on the rear panel.

13. USB memory port [MEMORY]

Insert a USB memory device (flash-drive/thumb drive) into this port when recording to the USB memory device.

Note

No recording can be made to the internal memory while a USB memory device is inserted into this port.

14. PC connection port (USB Mini-B) [PC]

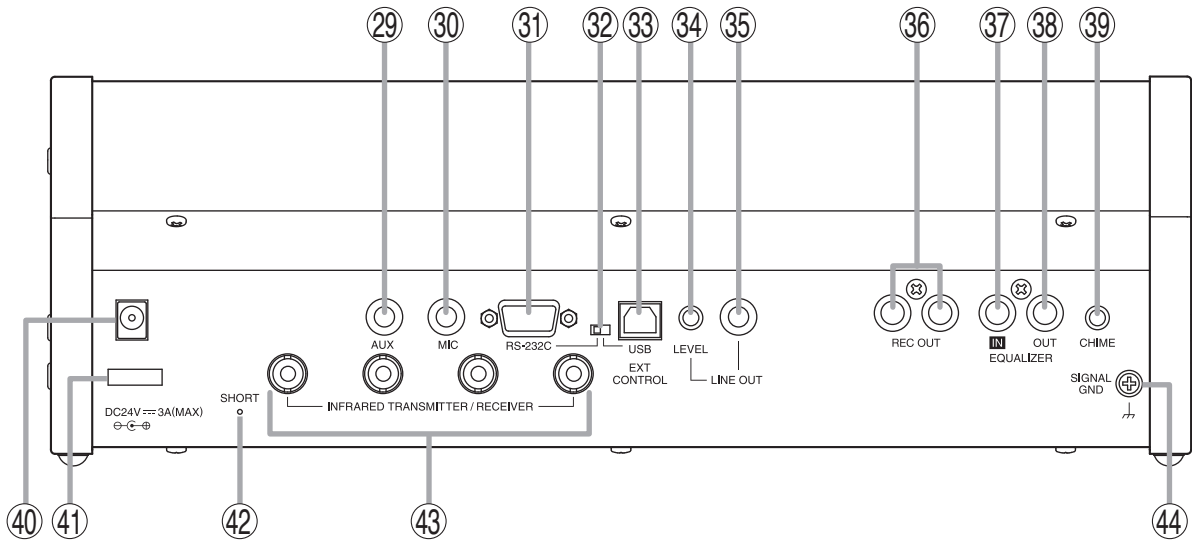
Connect a PC to this port in order to move internal memory sound source files or delete them.

Note

Recording cannot be performed while a PC is connected to this port, nor can the internal memory be formatted by the Central unit.

- 15. Internal memory status indicator (green/red) [INTERNAL, STATUS]**
Lights green when recordings can be made to the internal memory, and flashes green while a PC is connected to the PC connection port (14).
Flashes red when any irregularity is detected in the internal memory.
- 16. Remaining internal memory capacity warning indicator (orange) [INTERNAL, FULL]**
Flashes when the remaining time available for recording to the internal memory falls to less than one hour, and stays lit when no time remains for recording to the internal memory.
- 17. USB memory status indicator (green/red) [USB, STATUS]**
Lights green when recordings can be made to the connected USB memory device, and flashes red when any irregularity is detected in the USB memory device.
- 18. Remaining USB memory capacity warning indicator (orange) [USB, FULL]**
Flashes when the remaining time available for recording to the connected USB memory device falls to less than one hour, and stays lit when no time remains for recording to the USB memory device.
- 19. Recording stop button [STOP]**
Press this button to stop recording.
- 20. Recording start button [REC]**
Press this button to start recording.
- 21. Recording status indicator (red) [REC]**
Lights during recording, and flashes while the internal memory is being formatted.
- 22. Format button [HOLD 5 SEC]**
Hold down this button for 5 seconds or more to format the internal memory and delete all sound source files.
- 23. Format in-progress indicator (red) [FORMAT]**
Flashes while the internal memory is being formatted.
- 24. Installation status confirmation button [TEST]**
Installation status for the Infrared transmitter/receiver unit and Conference units can be checked.
- 25. Speech volume control [MIC UNIT]**
Adjusts the microphone volume of the Conference unit.
- 26. Headphone jack []**
Connects to headphones. (Mini-jack)
- 27. Headphone volume control [HEADPHONES]**
Adjusts the sound volume of the headphones.
- 28. FBS (Feedback Suppressor) switch [FBS, AUTO/OFF/EXT]**
Use to set FBS operation.
AUTO: Select to suppress acoustic feedback by automatically searching for a frequency generating acoustic feedback. (Refer to p. 50 "Using the Built-in FBS Function.")
OFF: Select when not using the FBS function.
EXT: Select when using an external graphic equalizer. (Refer to p. 50 "Using an External Graphic Equalizer.")
- Note**
This switch is factory-preset to the OFF position.

[Rear]



29. AUX input terminal [AUX]

–20 dB*, 10 kΩ, unbalanced, phone jack.
Connect a CD player, tape recorder, or other similar equipment to this terminal.

30. MIC input terminal [MIC]

–60 dB*, 600 Ω, unbalanced, phone jack.
Connect a wired microphone to this terminal.

31. External control terminal [RS-232C]

Connect this terminal to the serial port of a PC, operation panel, or other external control equipment.

32. External control terminal selection switch

Used to select either RS-232C (31) or USB (33) external control terminals.

33. External control terminal [USB]

Connects to the external control terminal of a PC, operation panel or other connected external equipment.

34. Level volume control [LINE OUT, LEVEL]

Adjusts the line output (35) volume.

35. Line output terminal [LINE OUT]

–10 dB*, 10 kΩ, unbalanced, phone jack.
Connect an amplifier, etc. for public address applications. Speech input from the Conference unit, or MIC or AUX terminals is output to this terminal.

36. Recording output terminal [REC OUT]

–10 dB*, 10 kΩ, unbalanced, monaural, RCA jacks.
Connect an external recording unit. An amplifier can also be connected for public address applications. The same speech signal as the line output is output to this terminal.

37. Graphic equalizer input terminal [EQUALIZER, IN]

–20 dB*, 10 kΩ, unbalanced, RCA jack.
Connect this terminal to the graphic equalizer's output terminal.

38. Graphic equalizer output terminal [EQUALIZER, OUT]

–20 dB*, 10 kΩ, unbalanced, RCA jack.
Connect this terminal to the graphic equalizer's input terminal.

39. Priority chime volume control [CHIME]

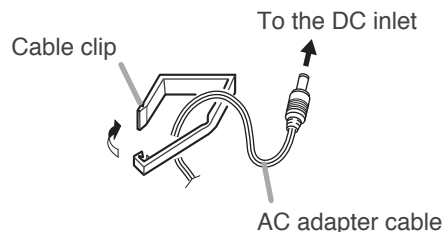
Adjusts the output volume of the chime tone that sounds when the Priority speech key on the Chairman unit is pressed.

40. DC inlet

Connect the supplied AC adapter to this terminal.

41. Cable clip

Run the AC adapter cable through this clip to prevent its plug from being removed from the DC inlet.



42. Short circuit indicator [SHORT]

Lights when the Infrared transmitter/receiver unit or its connected cable is shorted.

43. Infrared transmitter/receiver I/O terminals [INFRARED TRANSMITTER/RECEIVER]

Connect the Infrared transmitter/receiver unit, or Distributor to these terminals.

By using the YW-1022 (2-branch distributor) and/or YW-1024 (4-branch distributor), the following maximum number of Infrared transmitter/receiver units can be connected: 16 units when they are all TS-905 units, 12 units when they are all TS-907 units. (Also 12 units when both models are mixed.)

44. Functional ground terminal [SIGNAL GND]

Hum noise may be generated when external equipment is connected to the unit. Connecting this terminal to the functional ground terminal of the external equipment may reduce the hum noise.

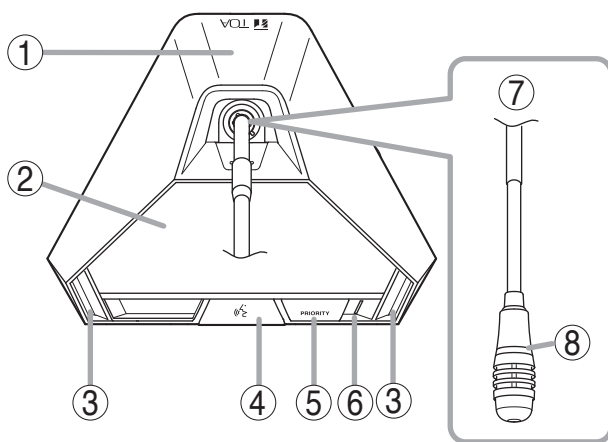
Note

This terminal is not for protective earth.

* 0 dB = 1 V

5.2. Infrared Chairman Unit TS-821

[Top]



Note: No microphone is supplied with the TS-821.

1. Infrared emitter/detector

The device used to transmit and receive infrared communication signals is built inside this panel.

Note

Never place any object that could block infrared signal access to this part of the unit, as this would prevent the unit from transmitting or receiving its required infrared signal.

2. Monitor speaker

Speech signals from other Conference units and other audio signals from the Central unit are output from this speaker.

Use the right-side Monitor volume control (18) to adjust the volume. No sound is output from the speaker of the unit in use while speaking.

3. Speech indicator

Remains lit while the microphone is in use (during speech). The indicator flashes when the unit is out of the communications service area.

4. Talk key

When this key is pressed, both the Microphone in-use indicator (8) and the Speech indicator (3) light, and the microphone turns on. Pressing this key again turns off both indicators and the microphone.

5. Priority speech key

Gives speaking priority to the current speaker. When this key is used for speech, no other delegate units can be used. Also, only the current speech made with the Priority speech key is output at the Central unit's recording and line outputs.

The key has 2 different operating modes, PTT and ALT, which can be selected with the Priority speech key operation setting switch (15).

- When PTT mode is selected, the microphone only turns on while the key is pressed, during which time the Speech (3) and Microphone in-use (8) indicators remain lit.
- When ALT mode is selected, pressing the key turns on the microphone and causes the Speech (3) and Microphone in-use (8) indicators to light. Pressing the key again turns off the microphone and these indicators.

If Chime is set to sound, a chime tone sounds when the key is pressed. For the chime setting, use the Priority chime mute switch (14).

6. Power indicator [POWER]

Lights when the power is switched ON.

This indicator also flashes when the battery level is low or the unit is outside the communications service area.

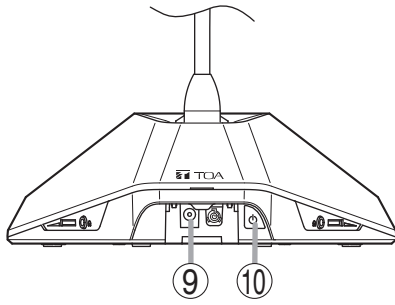
7. Microphone

Use either the TS-923 (Standard) or TS-924 (Long) dedicated microphone.

8. Microphone in-use indicator

Lights when the microphone is turned on (for speech) and flashes when the battery level is low.

[Rear]



9. DC inlet

Connect the dedicated AD-0910 AC Adapter to this terminal.

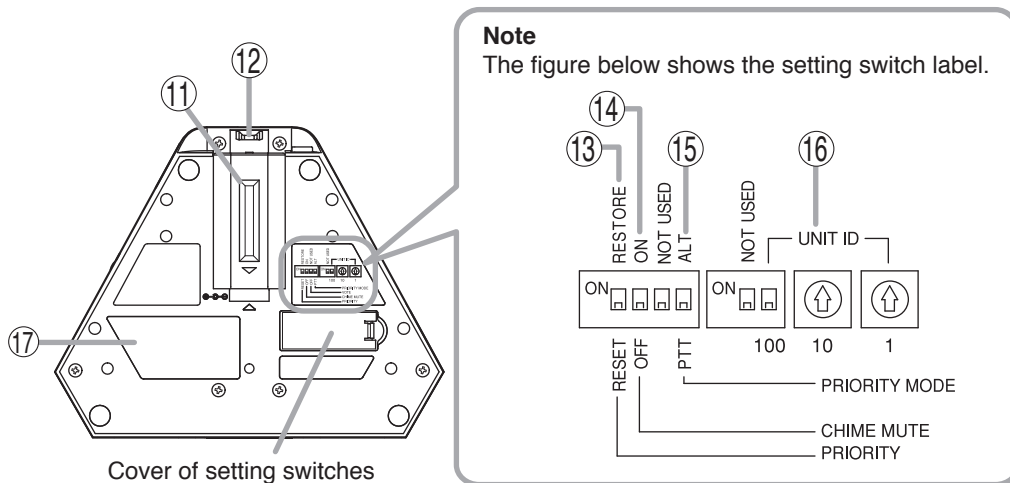
10. Power switch

Press this switch to switch on the power.

To switch off the power, press this switch again.

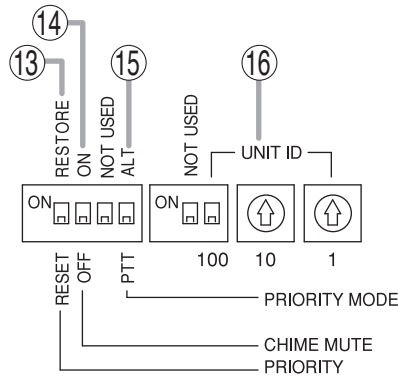
[Bottom]

Remove the cover on the bottom side of the unit to expose its setting switches.



Note

The figure below shows the setting switch label.



Cover of setting switches

11. Lithium-ion battery compartment

Install only a dedicated BP-900A Lithium-Ion Battery in this compartment.

12. Release key

Press this key to remove the lithium-ion battery.

13. Priority operation setting switch

Following completion of a priority speech, this switch is used to reset the operating status of Conference units whose operations were interrupted by the depression of a Priority speech key (5).

Set the switch to RESTORE in order to resume the mode in operation prior to initiation of the priority speech, and to RESET when resumption is not desired.

Note

This switch is factory-preset to the RESET position.

14. Priority chime mute switch

Disables the chime that sounds when the Priority speech key is pressed.

Set this switch to OFF when sound output is desired, and to ON when no sound is desired.

Note

This switch is factory-preset to the OFF position.

15. Priority speech key operation setting switch

Use to set the Priority speech key operation mode.

PTT: Speech only possible while the Priority speech key is being pressed.

ALT: Speech enabled when the Priority speech key is pressed, and disabled when the key is pressed again.

Note

The switch is factory-preset to PTT.

16. Unit address number setting switch

Set the unit address number (001 – 064), taking care to ensure that the same number is not duplicated in the system.

If the number [000] is assigned to a unit, the user of that unit cannot speak. However, the unit can be used for monitoring.

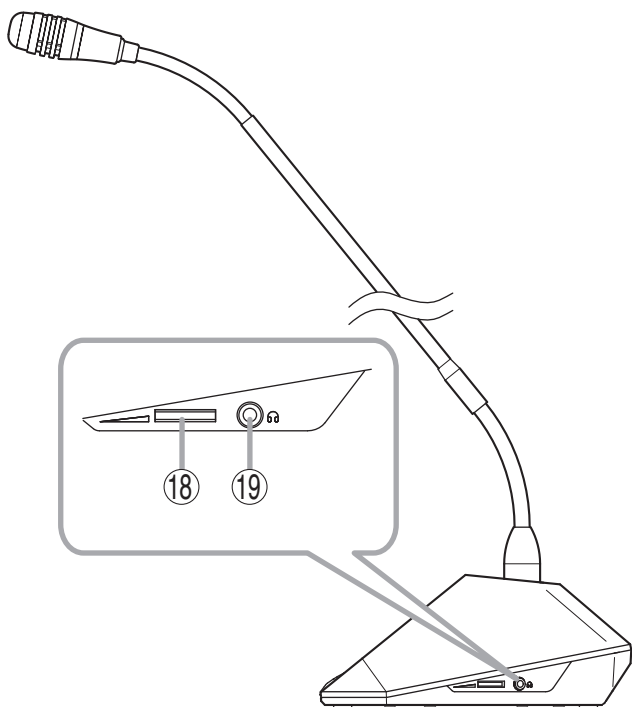
Set a numeral for the ones place and tens place. Leave the switch for the hundreds place set to off whenever using the unit.

Note

This number is factory-preset to [000].

17. Rating nameplate

[Right side]

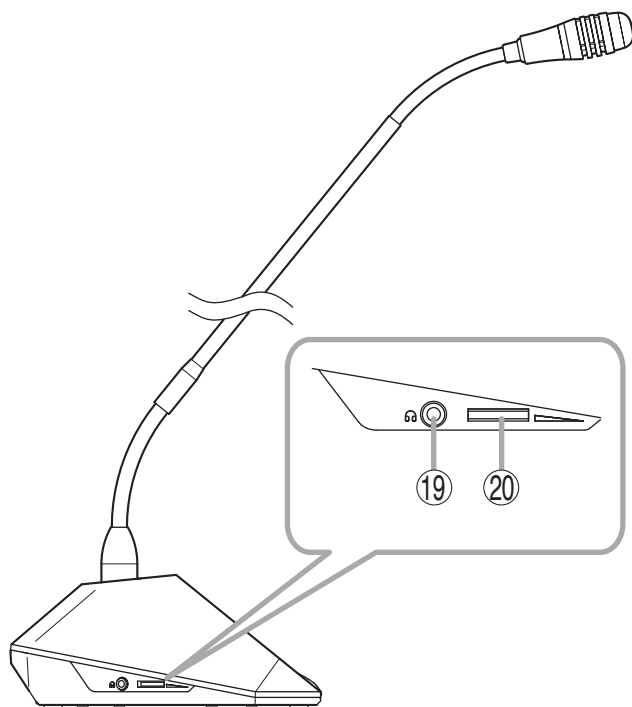


18. Monitor volume control
Adjusts the output volume of the monitor speaker and right-side headphone output.

19. Headphone jack
Connect headphones to this jack (mini-jack). Connecting the headphone cuts off the output from the monitor speaker.

Note
A headphone jack is located on both the left and right side panels.

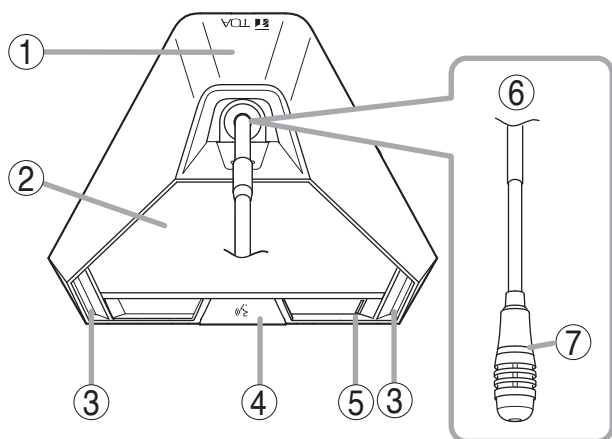
[Left side]



20. Headphone volume control
Adjusts the output volume of the left-side headphone output.

5.3. Infrared Delegate Unit TS-822

[Top]



Note: No microphone is supplied with the TS-822.

1. Infrared emitter/detector
The device used to transmit and receive infrared communication signals is built inside this panel.

Note
Never place any object that could block infrared signal access to this part of the unit, as this would prevent the unit from transmitting or receiving its required infrared signal.

2. Monitor speaker
Speech signals from other Conference units and other audio signals from the Central unit are output from this speaker.
Use the right-side Monitor volume control (14) to adjust the volume. No sound is output from the speaker of the unit in use while speaking.

3. Microphone in-use indicator
Lights when the microphone is turned on (for speech) and flashes when the battery level is low.

4. Talk key

When this key is pressed, both the Microphone in-use indicator (3) and the Speech indicator (7) light, and the microphone turns on. Pressing this key again turns off both indicators and the microphone.

5. Power indicator

Lights when the power is switched ON. This indicator also flashes when the battery level is low or the unit is outside the communications service area.

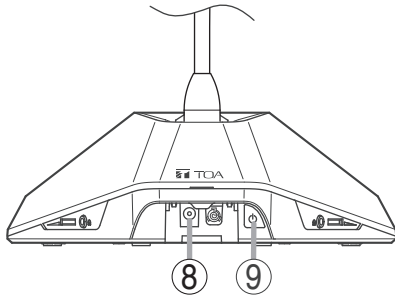
6. Microphone

Use either the TS-923 (Standard) or TS-924 (Long) dedicated microphone.

7. Speech indicator

Remains lit while the microphone is in use (during speech). The indicator flashes when the unit is out of the communications service area.

[Rear]



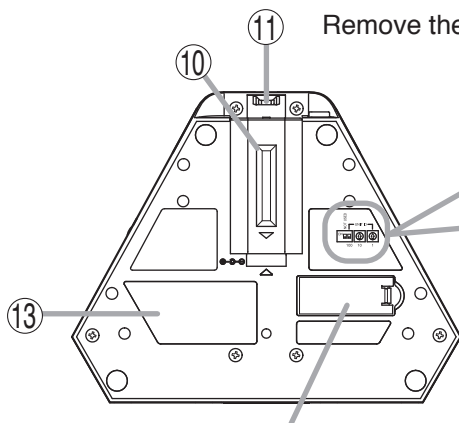
8. DC inlet

Connect the dedicated AD-0910 AC Adapter to this terminal.

9. Power switch

Press this switch to switch on the power. To switch off the power, press this switch again.

[Bottom]

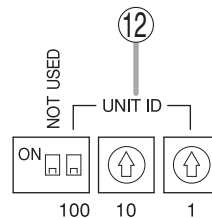


Cover of the setting switches

Remove the cover on the bottom side of the unit to expose its setting switches.

Note

The label describing the setting switches is shown in the following figure.



10. Lithium-ion battery compartment

Install only a dedicated BP-900A Lithium-Ion Battery in this compartment.

11. Release key

Press this key to remove the lithium ion battery.

12. Unit address number setting switch

Set the unit address number (001 – 064), taking care to ensure that the same number is not duplicated in the system.

If the number [000] is assigned to a unit, the user of that unit cannot speak. However, the unit can be used for monitoring.

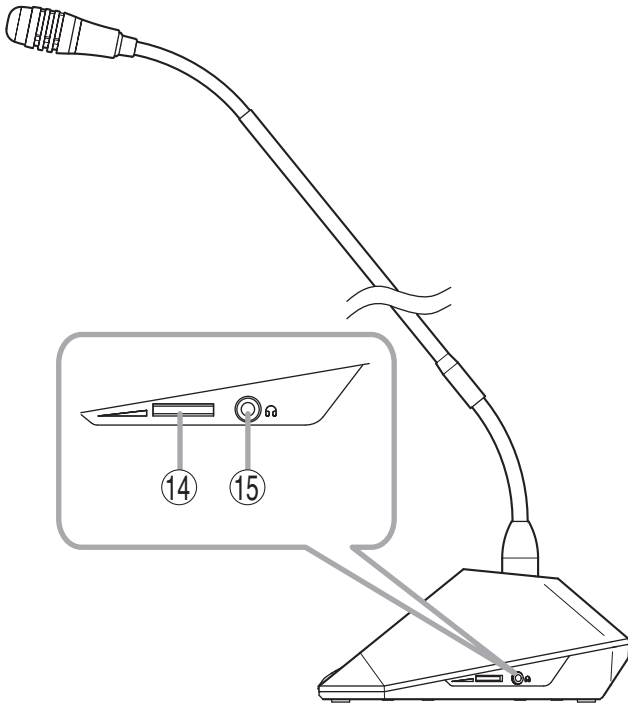
Set a numeral for the ones place and tens place. Leave the switch for the hundreds place set to off whenever using the unit.

Note

This number is factory-preset to [000].

13. Rating nameplate

[Right side]



14. Monitor volume control

Adjusts the output volume of the monitor speaker and right-side headphone output.

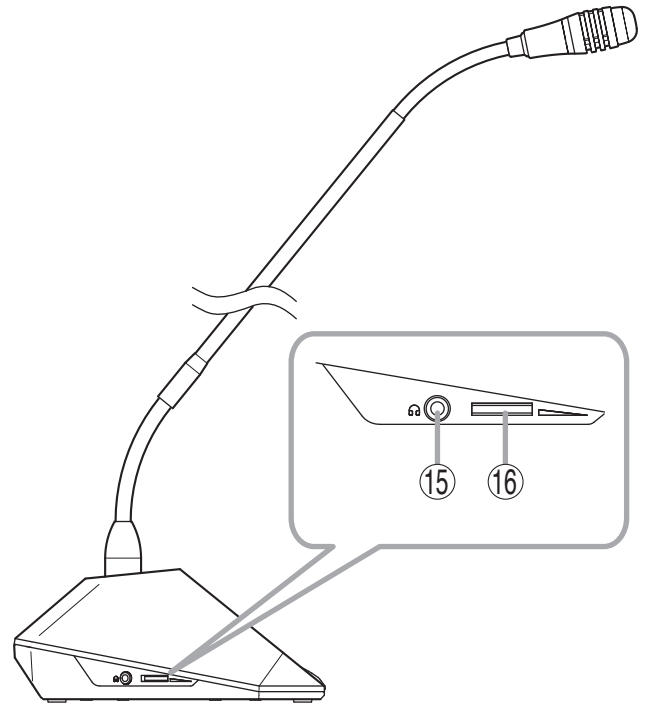
15. Headphone jack

Connect headphones to this jack (mini-jack).
Connecting the headphone cuts off the output from the monitor speaker.

Note

A headphone jack is located on both the left and right side panels.

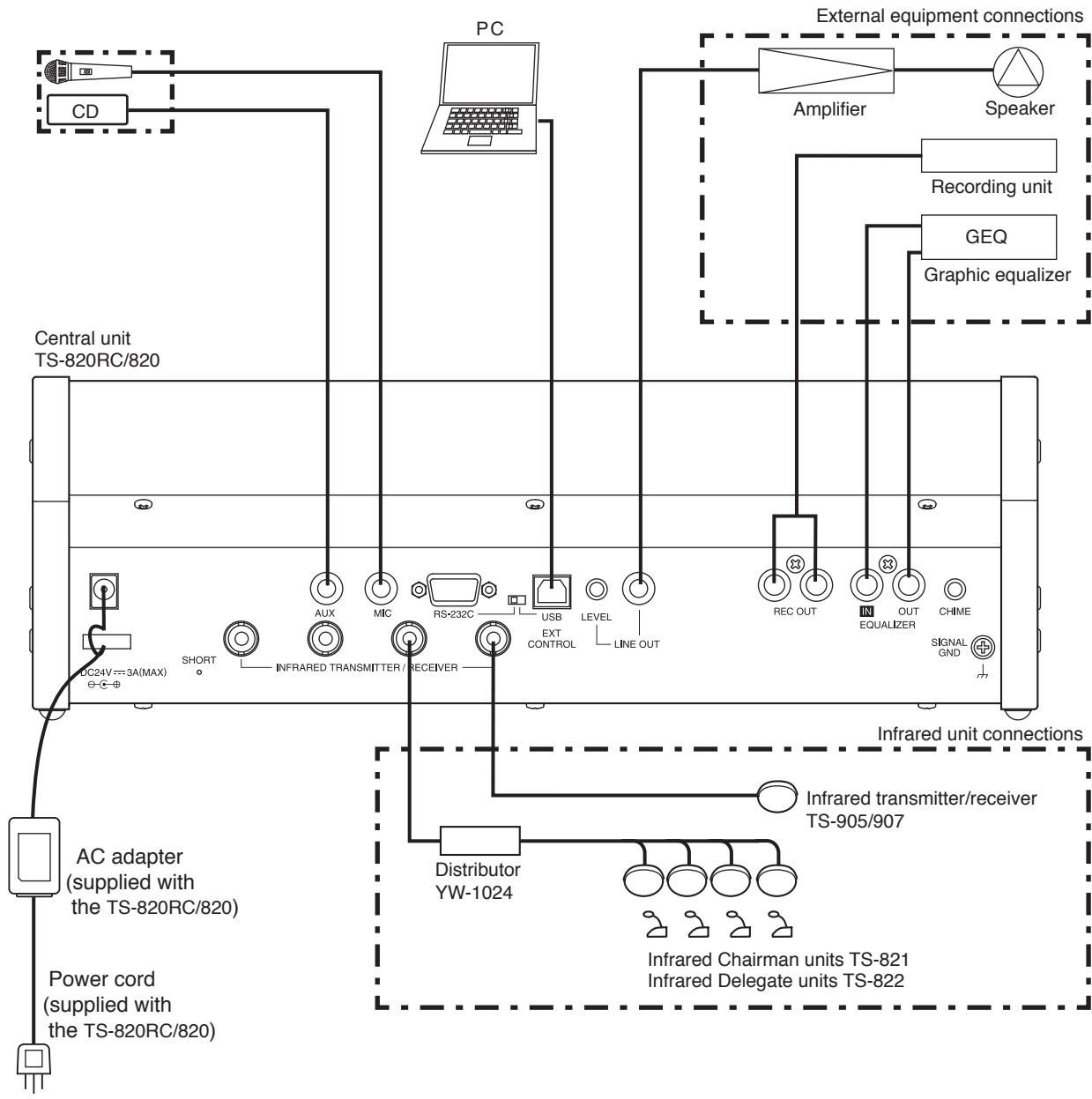
[Left side]



16. Headphone volume control

Adjusts the output volume of the left-side headphone output.

6. SYSTEM CONNECTION EXAMPLES



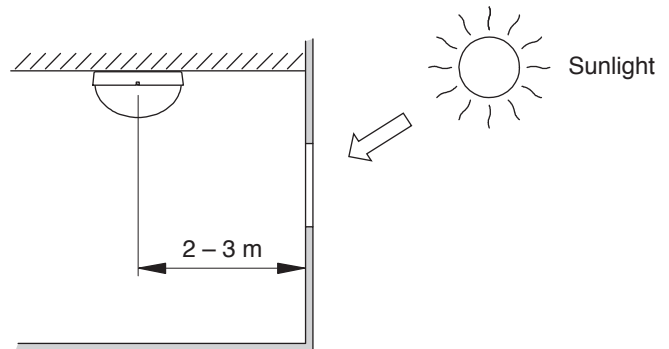
7. INFRARED TRANSMITTER/RECEIVER INSTALLATION AND CONNECTIONS

7.1. Notes on Installation of the Infrared Transmitter/Receiver Unit

Installing the Infrared transmitter/receiver unit in locations exposed to sunlight or in proximity to such infrared sources as fluorescent lights could result in system failures or the introduction of noise into the system. Avoid installing the Infrared transmitter/receiver unit in close proximity to infrared sources, as instructed below:

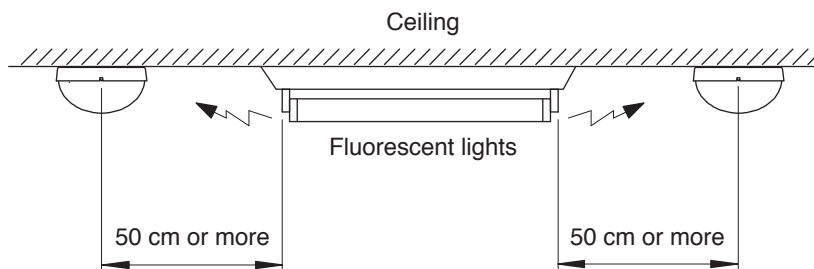
[Avoid direct sunlight]

- Cover windows with curtains or blinds to shield the unit from direct exposure to sunlight.
- Install the unit at least 2 – 3 meters away from the nearest window.



[Keep away from fluorescent lights]

Position the unit at least 50 cm away from fluorescent lights.

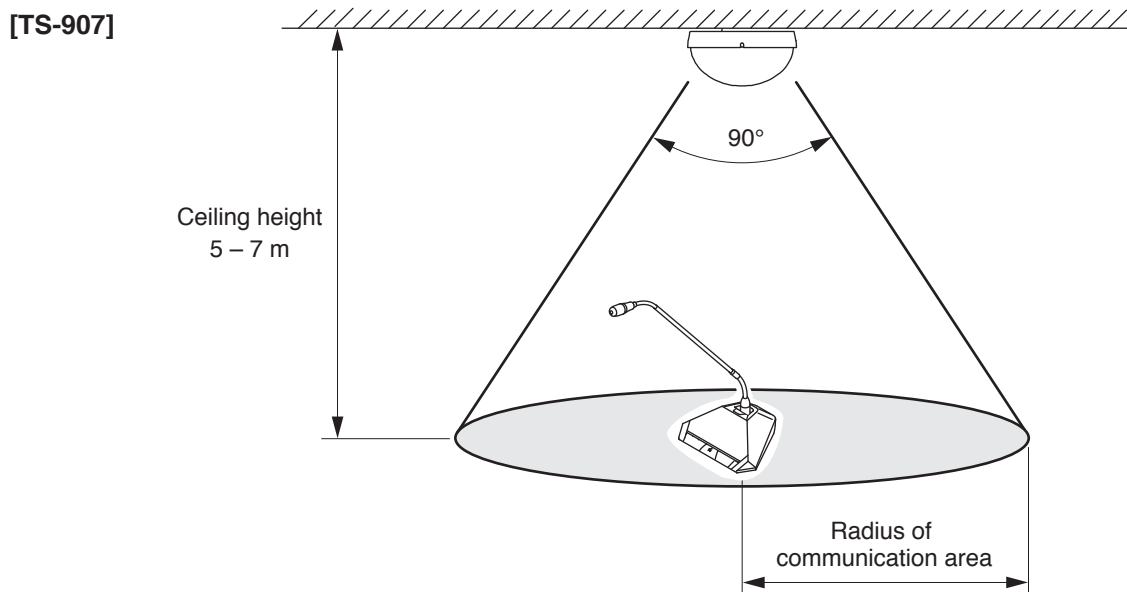
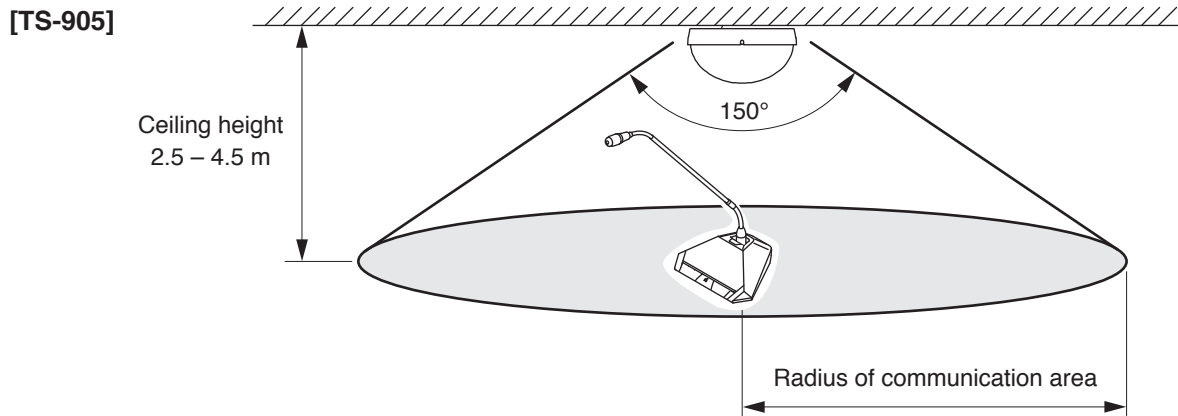


[Keep away other infrared light sources]

- Lighting equipment
- LCD projectors, overhead projectors, incandescent lamps, etc.
- Mercury-arc lamps
- Plasma displays
- Remote controllers, infrared microphones, infrared equipment such as infrared LANs.
- Dimmers

7.2. Infrared Service Areas

7.2.1. Infrared transmitter/receiver

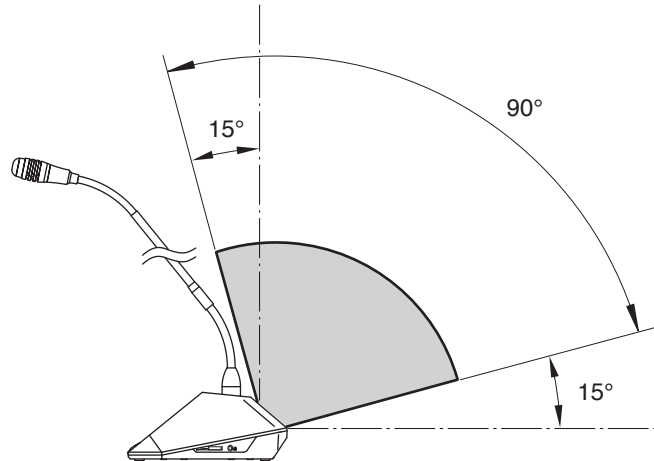
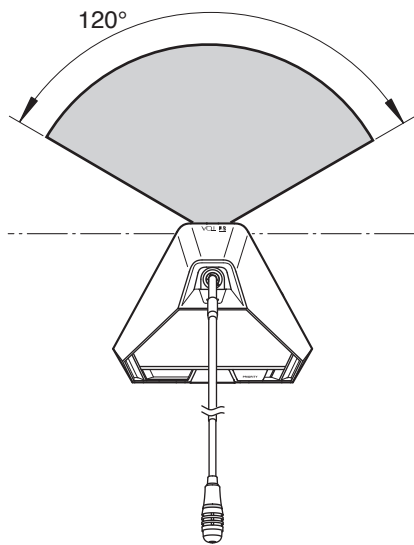
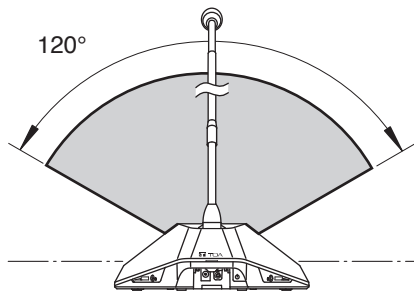


Model	Ceiling height	Radius of communication area
TS-905	2.5 m	Approx. 7.0 m
	3.0 m	
	3.5 m	
	4.0 m	
	4.5 m	
TS-907	5.0 m	Approx. 6.0 m
	5.5 m	
	6.0 m	
	6.5 m	
	7.0 m	

Notes

- Infrared signals cannot reach the Infrared Transmitter/Receiver unit if it is hidden behind the user or other objects. Install multiple Transmitter/Receiver units in line-of-sight from all Conference units.
- Install the Infrared Transmitter/Receiver units in such a way that each Conference unit can always communicate with two or more Transmitter/Receiver units. If installed in such a way that communication is only established with one Transmitter/Receiver unit, the infrared signal may be blocked by persons or other objects, possibly causing a momentary loss of signal reception.

7.2.2. Infrared conference unit



The figure shows the TS-821.

7.3. Infrared Transmitter/Receiver Arrangement Examples

The area range that an Infrared transmitter/receiver unit covers differs depending on the height from the Infrared conference units to the ceiling. (Refer to p. 20.)

Arrange the Infrared transmitter/receiver units so that all Infrared conference units are included in the service area.

Note

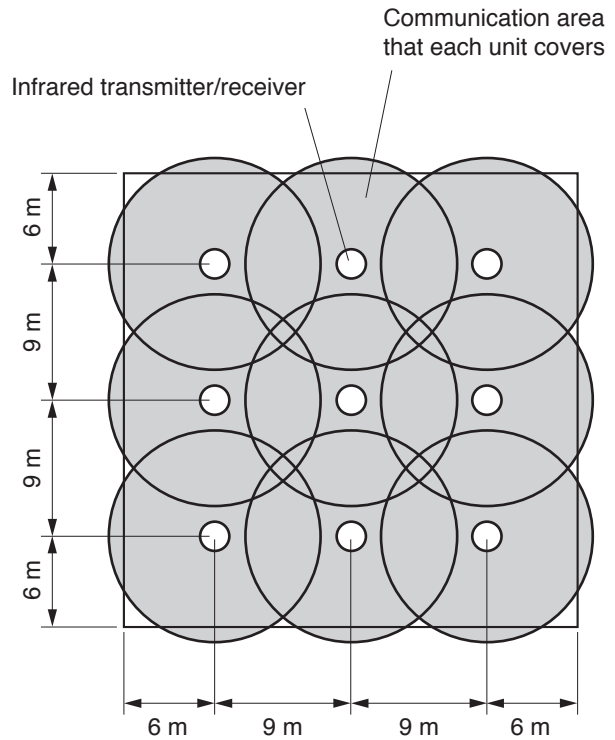
The maximum number of Infrared transmitter/receiver units to be installed is 16 when they are all TS-905 units and 12 when they are all TS-907 units. (Also 12 when both models are mixed.)

[Conference room measuring 30 x 30 meters]

Arranging the units at intervals as illustrated permits the service area to cover every corner of the room.

Note

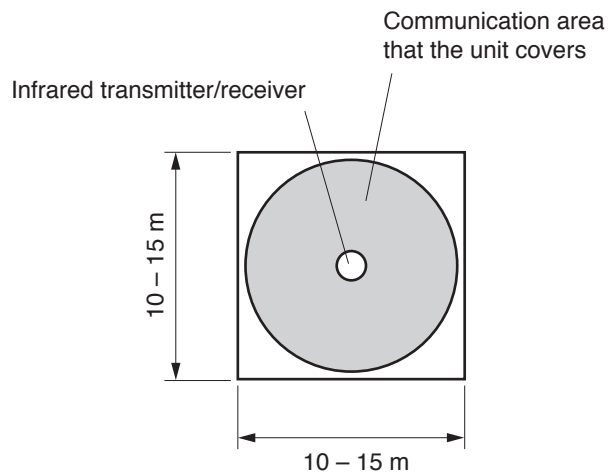
Determine which to use TS-905 or TS-907 depending on the ceiling height.



[Conference room using round tables]

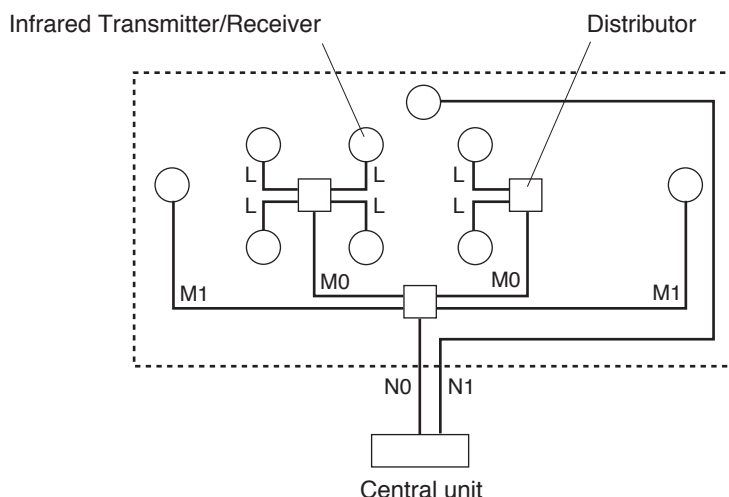
All Infrared conference units are arranged around the table, in which case only one Infrared transmitter/receiver unit may suffice for complete coverage of conference communications.

However, it is highly recommended that two or more Transmitter/Receiver units be installed in order to avoid accidental interruptions of communications.



7.4. Wiring between the Infrared Transmitter/Receiver Unit and the Central Unit

7.4.1. Notes on wiring

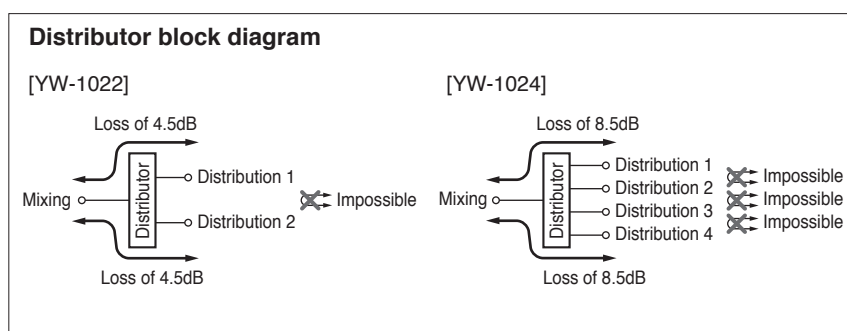


When two or more Infrared transmitter/receiver units receive infrared signals from the Infrared conference units, the signal reception level increases if input signals to each Transmitter/Receiver unit are in phase. If not in phase, the signal reception level may decrease.

- To put signals in phase, ensure that the following cable length between two components are identical.
 - Length between each Infrared transmitter/receiver unit and the Central unit: $L + M0 + N0 = M1 + N0 = N1$
 - Note:** This length must always be the same even if a distributor is included in the wiring.
 - Length between Infrared transmitter/receiver unit and distributor: L
 - Length between distributors (where two distributors are connected): $M0$
 - Length between distributor and Central unit: $N0$
 - (In the above figure, since there is only one $N0$ connection, the length need not be matched for the $N0$ line.)
- The maximum cable length between each Infrared Transmitter/Receiver unit and the Central unit differs depending on the type of coaxial cable to be used. (Refer to p. 54.) Take care not to exceed the maximum cable length.

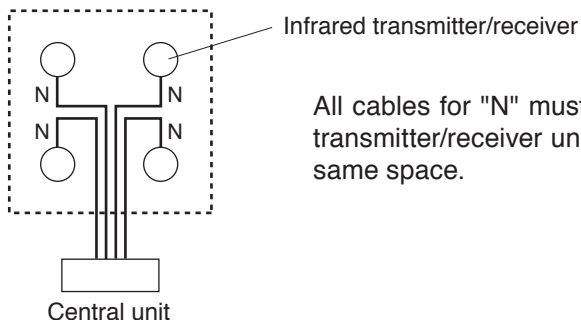
7.4.2. Using the distributor

- The YW-1022 is a 2-branch distributor, and the YW-1024 is a 4-branch distributor. In the case of the YW-1024, its distribution terminals may become idle depending on the Infrared Transmitter/Receiver unit's wiring. However, this presents no problem.
- Avoid connecting more than 2 distributors in series. Connecting 3 or more distributors increases high-frequency signal loss, and could result in system malfunction.
- It is possible to mix Infrared Transmitter/Receiver units not connected to any distributor, those connected to 1 distributor, and those connected to 2 distributors in the same system.
- To avoid an increase in loss, do not perform connections between distribution terminals.



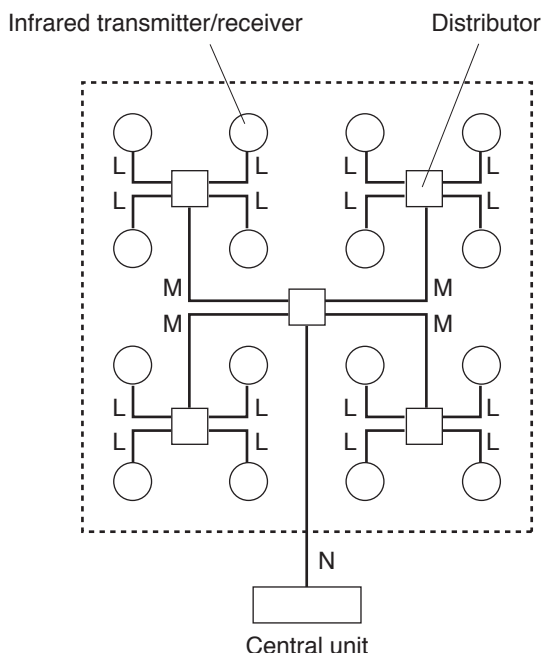
7.4.3. Wiring examples

(Example 1)



All cables for "N" must be identical in length when the Infrared transmitter/receiver unit and the Central unit are installed in the same space.

(Example 2)

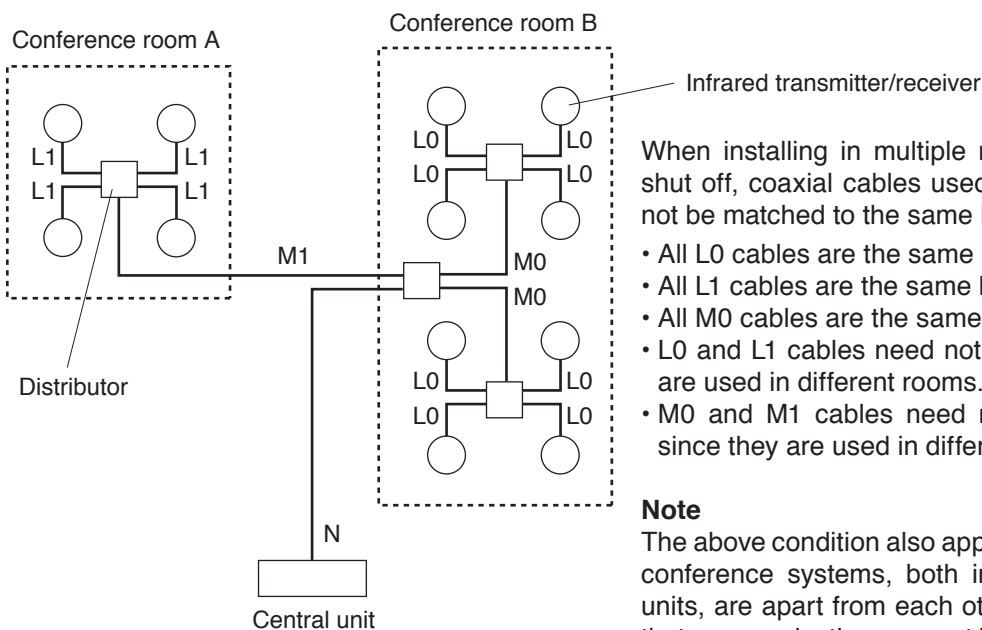


When installing in the same space,
 • All "L" cables must be identical in length.
 • All "M" cables must be identical in length.

Note

To facilitate the unification of coaxial cables used in different connections into the same length, it is highly recommended that wiring from the Central unit to the distributor mounted in a ceiling be performed with a single cable. For other ceiling wiring, using pre-cut coaxial cables of a slightly longer length will facilitate making all connections the same length.

(Example 3)



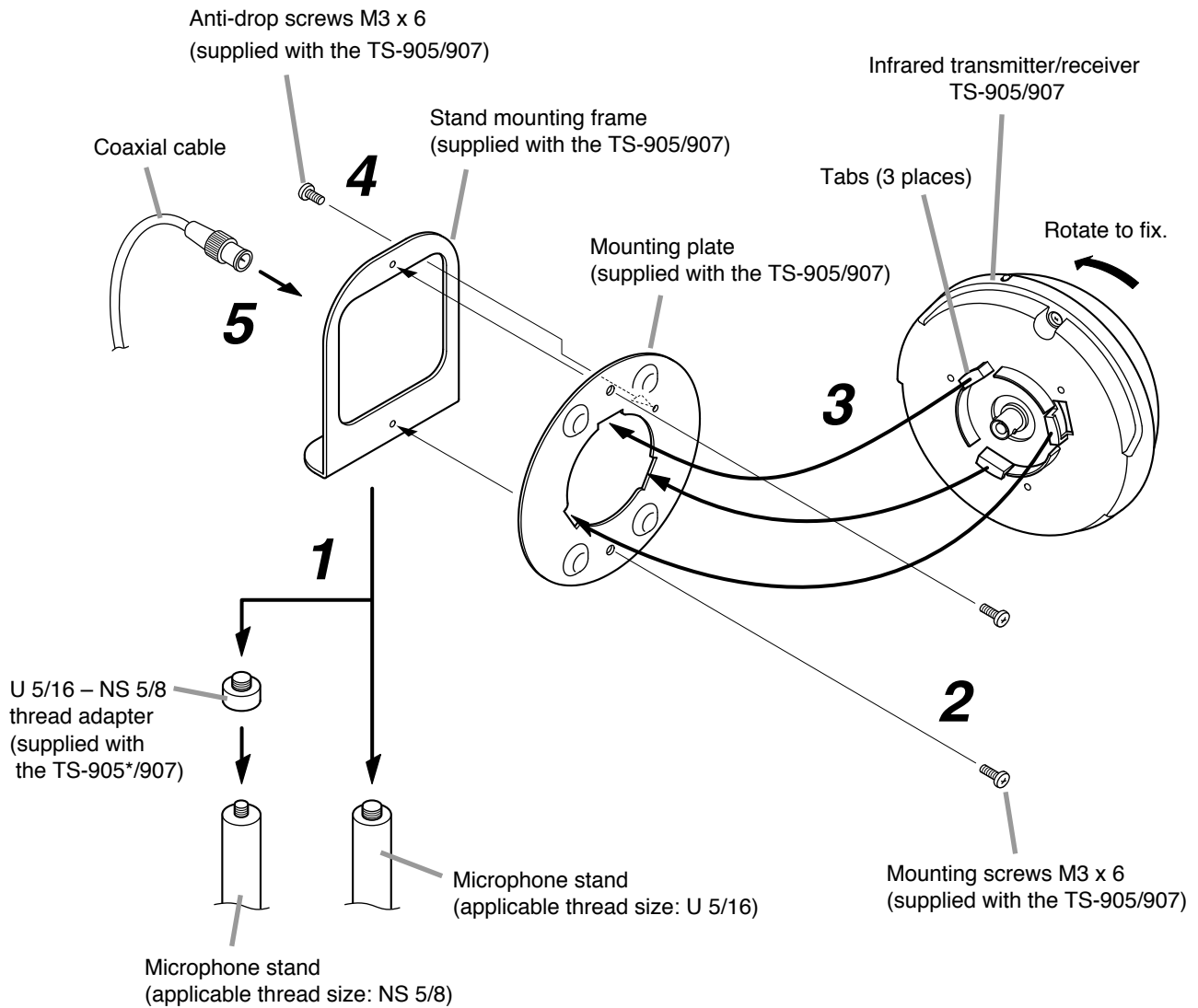
When installing in multiple rooms where the light is shut off, coaxial cables used in different rooms need not be matched to the same length.

- All L0 cables are the same length.
- All L1 cables are the same length.
- All M0 cables are the same length.
- L0 and L1 cables need not be the same, since they are used in different rooms.
- M0 and M1 cables need not be the same length, since they are used in different rooms.

Note

The above condition also applies to cases in which two conference systems, both including the Conference units, are apart from each other in the same room so that communications cannot be made between the two systems.

7.5.2. Mounting on a microphone stand



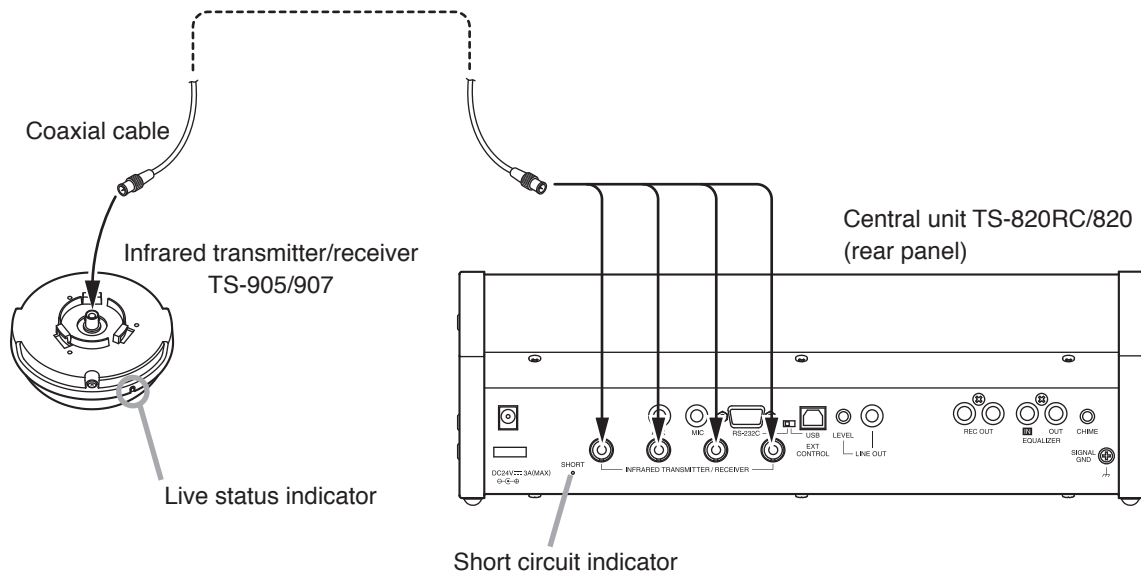
* Not supplied with the TS-905 CE version.

- Step 1.** Attach the supplied stand mounting frame to the microphone stand.
Applicable thread size is U 5/16.
When the stand's thread size is NS 5/8, mount the supplied thread adapter onto the microphone stand.
- Step 2.** Fix the supplied mounting plate to the stand mounting frame.
Use the two supplied M3 x 6 screws for mounting.
- Step 3.** Attach the Infrared Transmitter/Receiver unit to the mounting plate.
Align the unit's tabs (3 places) with the corresponding notches in the plate, and then rotate the unit clockwise until it stops and fits into place.
- Step 4.** Mount an anti-drop screw to the mounting plate.
Note: The screw tip enters a hole in the unit and prevents its rotation.
- Step 5.** Perform wiring.

7.6. Connections between the Infrared Transmitter/Receiver Unit and the Central Unit

7.6.1. Connecting

Use the coaxial cable with a BNC connector to connect the Infrared transmitter/receiver unit to the Central unit.



Notes

- It is recommended that the RG-59/U, RG-6/U, or RG-11/U coaxial cable be used.
- Since the Infrared transmitter/receiver unit is equipped with the Live status indicator, it is possible to confirm whether or not the coaxial cable is correctly connected. (The indicator cannot be used for confirmation of the unit's minimum operating voltage.)
When the indicator does not light, it can be considered that the coaxial cable is not connected or shorted.
- The Central unit has a Short circuit indicator on its rear panel and the Central unit's short circuit protection circuit is common to all 4 BNC terminals. If this Short circuit indicator lights, locate the shorted point by removing each distributed cord. The indicator also lights when the number of Infrared transmitter/receiver units connected in the system exceeds the allowable limit.

7.6.2. Coaxial cable processing

Coaxial cable	Applicable BNC plug
RG-59/U	YA-641 (1 piece per package) and CC-4901 (10 pieces per package)
RG-6/U	YA-641 (1 piece per package)
RG-11/U	YA-642 (1 piece per package)

Note: Purchase both the coaxial cable and the required BNC plugs separately.

Follow the procedure below to attach the BNC connector to the coaxial cable:

Attaching a YA-641 or CC-4901 BNC Plug to the RG-59/U Cable

Step 1. Strip the jacket 10 mm from the end of the coaxial cable.

Step 2. Slip the tube supplied with the BNC plug over the jacket.

Step 3. Unravel the braided shield and turn it back, then peel away the aluminum cladding.

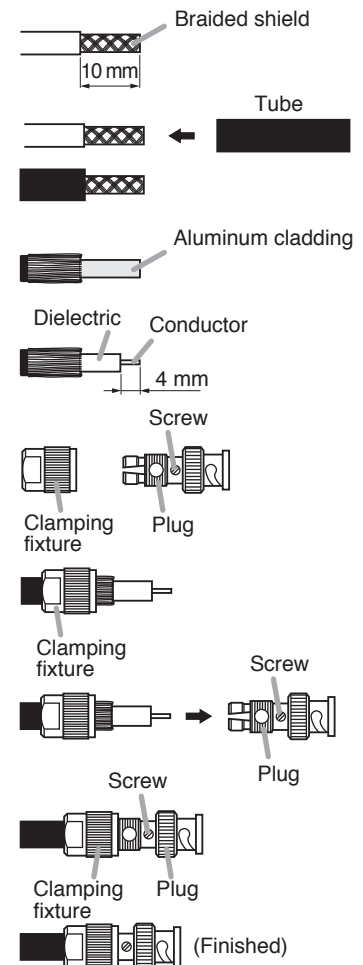
Step 4. Strip the dielectric 4 mm from the cable end.

Step 5. Disassemble the BNC plug as shown in the figure at right and turn the screw on the plug so that it loosens partially but remains in position.

Step 6. Insert the coaxial cable into the clamping fixture.

Step 7. Insert the clamping fixture assembly into the plug.

Step 8. Tighten the screw and then clamp the plug by tightening the clamping fixture.



Attaching a YA-641 BNC Plug to the RG-6/U Cable

Step 1. Strip the jacket 10 mm from the end of the coaxial cable.

Step 2. Unravel the braided shield and turn it back, then peel away the aluminum cladding.

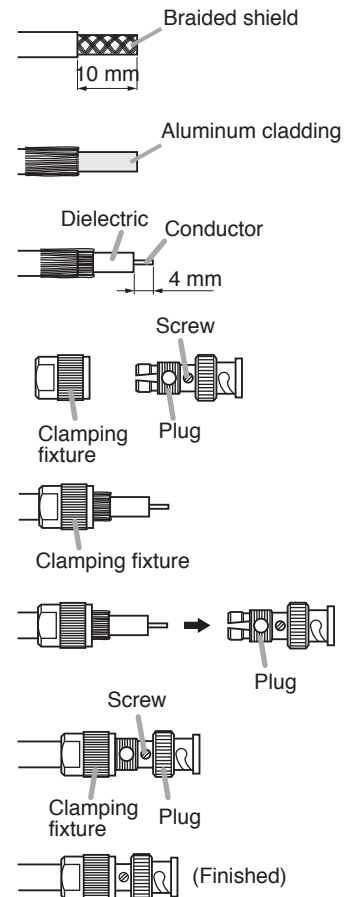
Step 3. Strip the dielectric 4 mm from the cable end.

Step 4. Disassemble the BNC plug as shown in the figure at right and turn the screw on the plug so that it loosens partially but remains in position.

Step 5. Insert the coaxial cable into the clamping fixture.

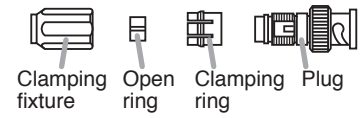
Step 6. Insert the clamping fixture assembly into the plug.

Step 7. Tighten the screw and then clamp the plug by tightening the clamping fixture.

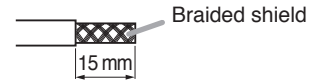


Attaching a YA-642 BNC Plug to the RG-11/U Cable

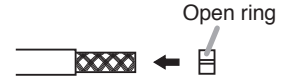
Step 1. Disassemble the BNC plug as shown in the figure at right.



Step 2. Strip the jacket 15 mm from the end of the coaxial cable.



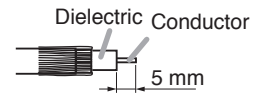
Step 3. Insert the coaxial cable into the open ring.



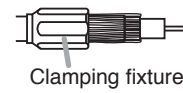
Step 4. Unravel the braided shield and turn it back, then peel away the aluminum cladding.



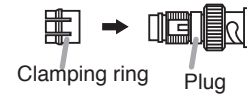
Step 5. Strip the dielectric 5 mm from the cable end.



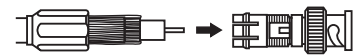
Step 6. Insert the coaxial cable into the clamping fixture.



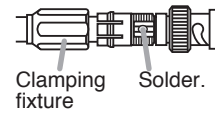
Step 7. Attach the clamping ring to the plug.



Step 8. Insert the clamping fixture assembly into the plug.



Step 9. Solder the conductor to the plug.



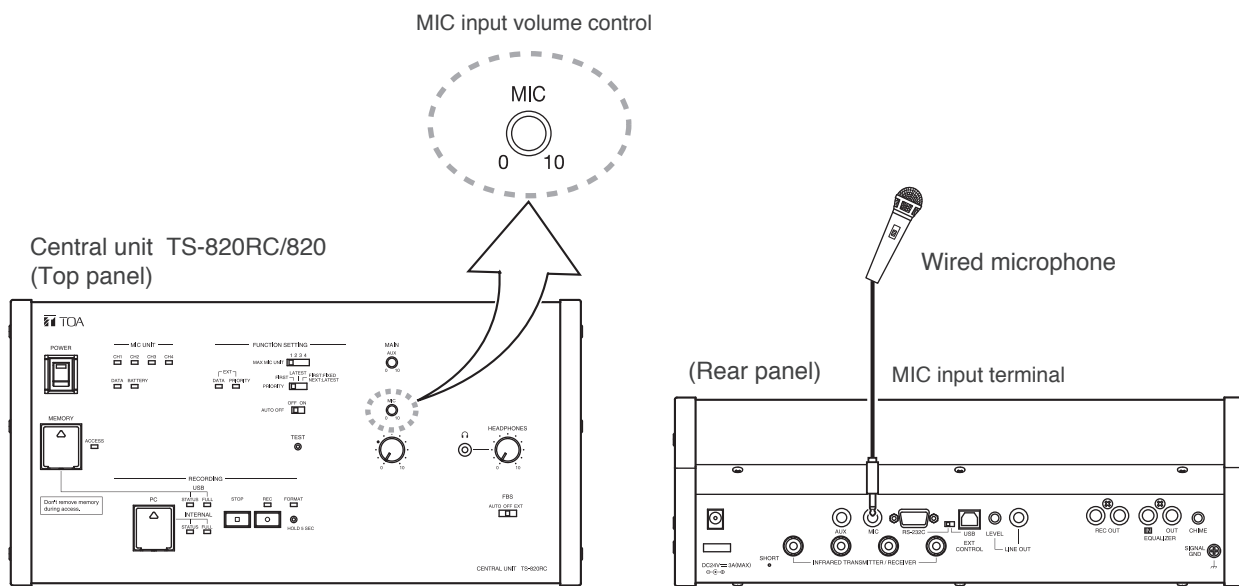
Step 10. Clamp the plug by tightening the clamping fixture.



8. USING WIRED MICROPHONES AND SOUND SOURCE EQUIPMENT

8.1. Wired Microphone Use

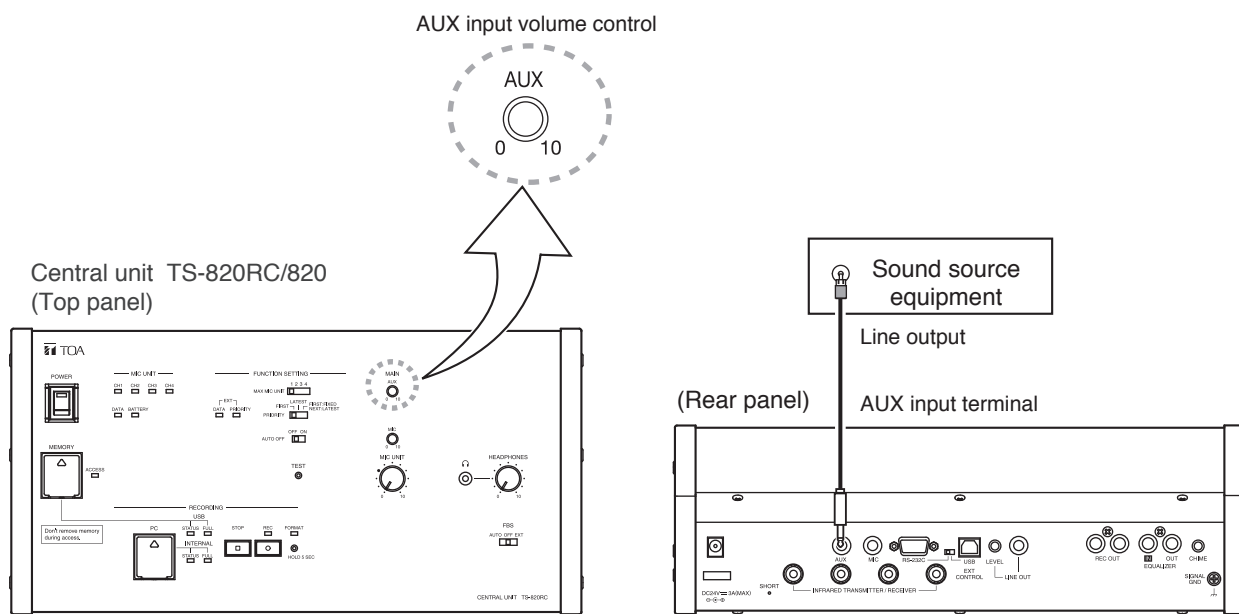
Connect a wired microphone to the Central unit's MIC input and adjust its volume with the corresponding MIC input volume control.



The figure shows the TS-820RC.

8.2. Sound Source Equipment Use

Connect sound source equipment to the Central unit's AUX input and adjust its volume with the corresponding AUX input volume control.

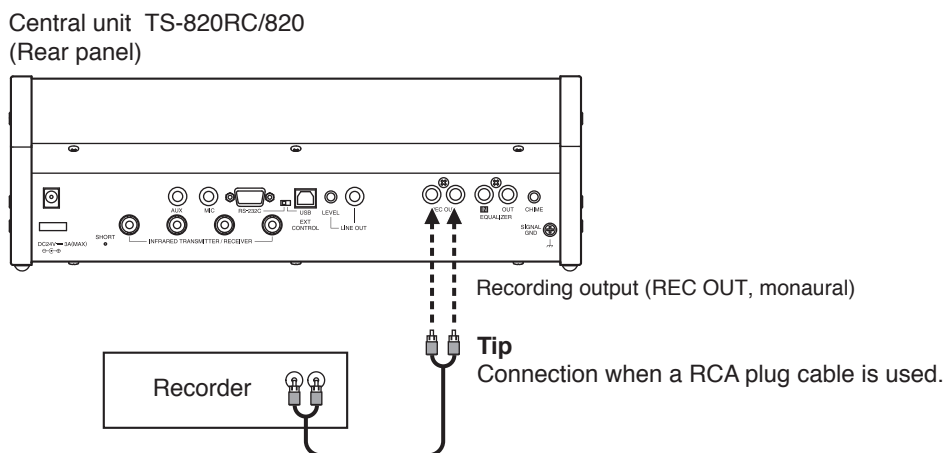


The figure shows the TS-820RC.

9. RECORDING EQUIPMENT CONNECTION

Connect the recorder's recording input terminal to the Central unit's recording output terminal. If the recorder has its recording level control, adjust it to an appropriate recording level.

Tip: For operation of the recorder, refer to the instruction manual included with the recorder.



10. CONFERENCE UNIT INSTALLATION AND SETTINGS

Step 1. Use a screwdriver to set the Unit address number setting switch located on the unit's bottom side.

Set a numeral for the ones place and tens place.

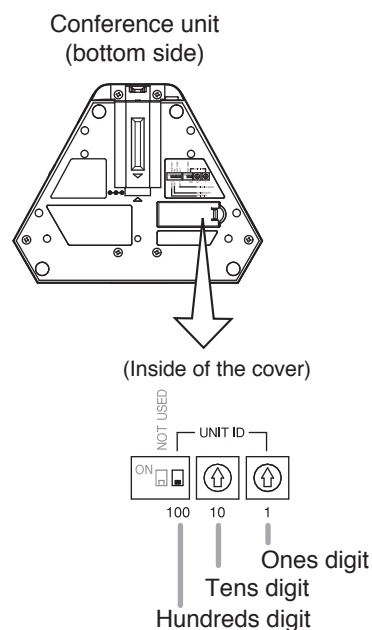
Leave the switch for the hundreds place set to off whenever using the unit.

Set the unit address number (001 – 064), taking care to ensure that the same number is not duplicated in the system.

If the number [000] is assigned to a unit, the user of that unit cannot speak. However, the unit can be used for monitoring.

Note

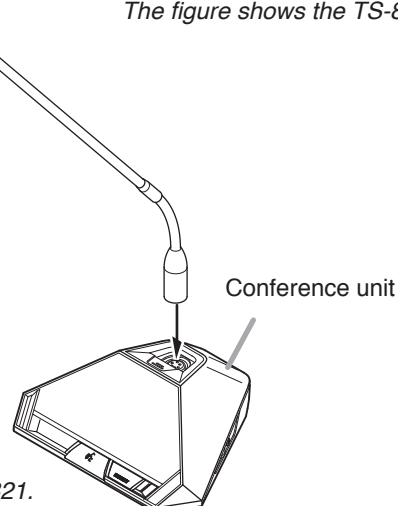
This number is factory-preset to [000].



The figure shows the TS-821.

Step 2. Mount the microphone to the Conference unit.

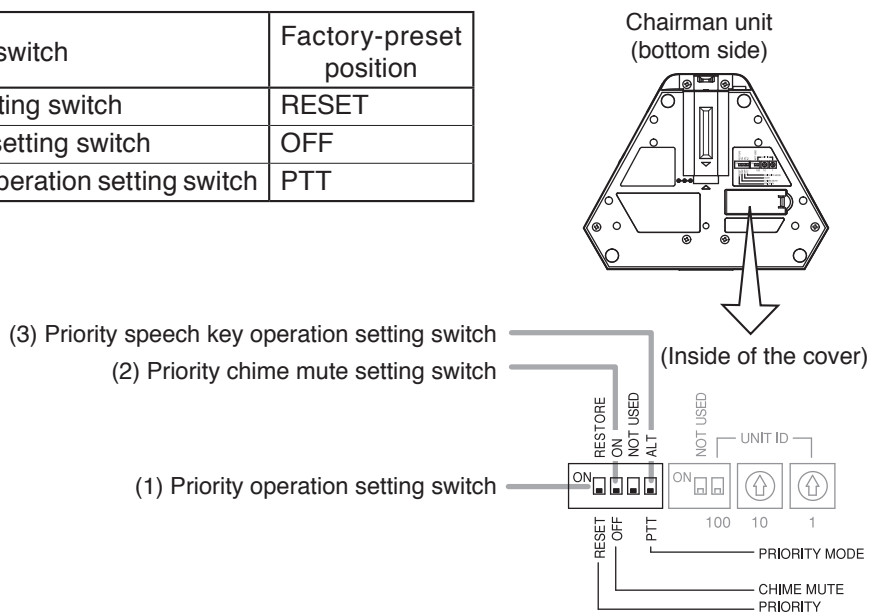
Microphone (standard) TS-923
or
Microphone (long) TS-924



The figure shows the TS-821.

Step 3. Set the Priority operation, Priority chime mute, Voting activation, and Priority speech key operation functions using the DIP switch located on the Chairman unit's bottom side.

Setting switch	Factory-preset position
(1) Priority operation setting switch	RESET
(2) Priority chime mute setting switch	OFF
(3) Priority speech key operation setting switch	PTT



Step 4. Turn on the same number of microphones on the Conference units as the maximum number of open microphones set at the Central unit. Speaking into the microphone, adjust the Central unit's Speech volume control to an appropriate level.

Step 5. Initiate speech from the microphones of all Conference units, and confirm that acoustic feedback is not produced.

If feedback occurs, widen the distance between the Chairman unit and the Delegate unit or reduce the output volume to prevent feedback.

When feedback still remains, use the FBS function built in the Central unit, or an external graphic equalizer to suppress it. (Refer to p. 50 "IF ACOUSTIC FEEDBACK OCCURS.")

11. INFRARED CONFERENCE UNIT POWER SUPPLY

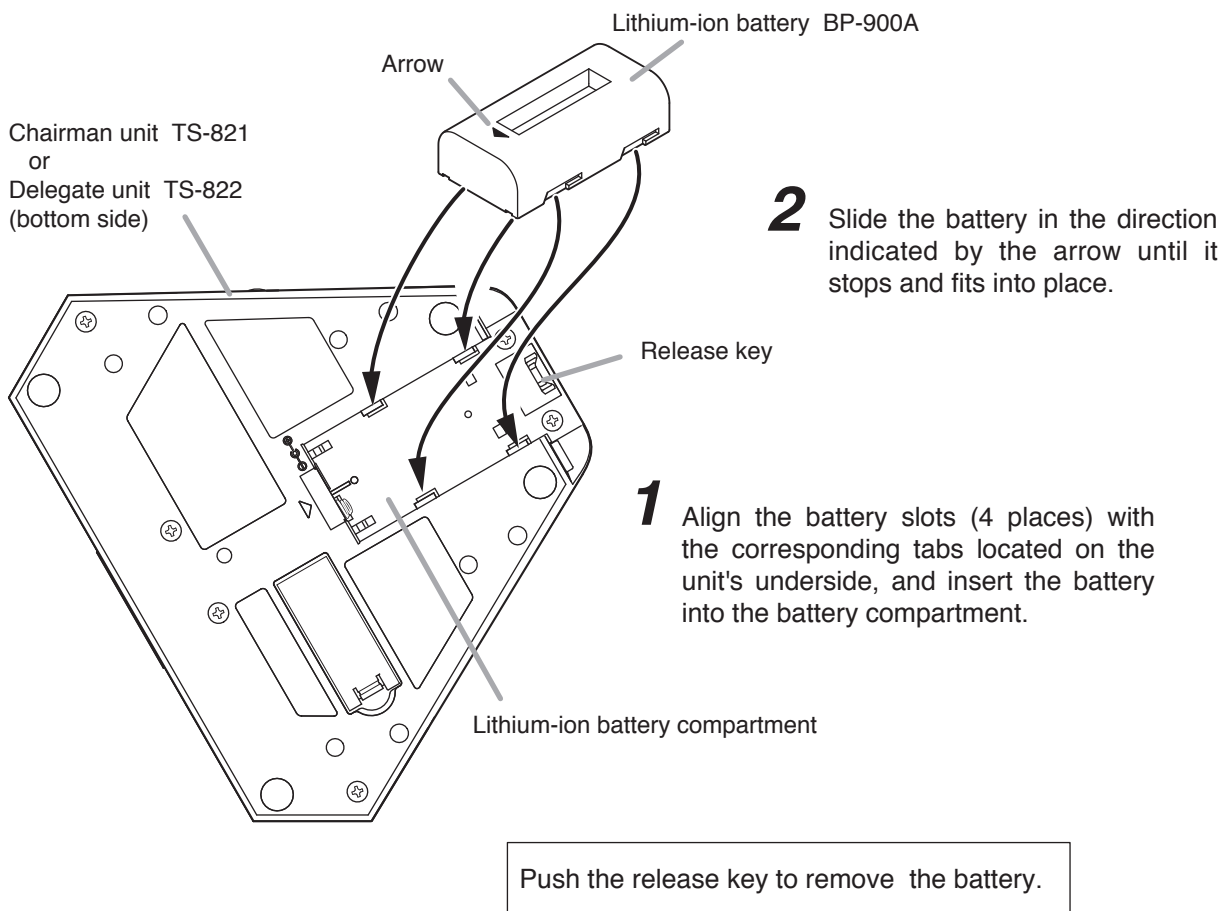
Use either the optional BP-900A Lithium-ion battery or the AD-0910 AC adapter for the power supply of the Infrared conference units.

11.1. BP-900A Lithium-Ion Battery

Note

Before using the BP-900A battery, be sure to carefully read the instructions on its use described in the manual enclosed with the BP-900A.

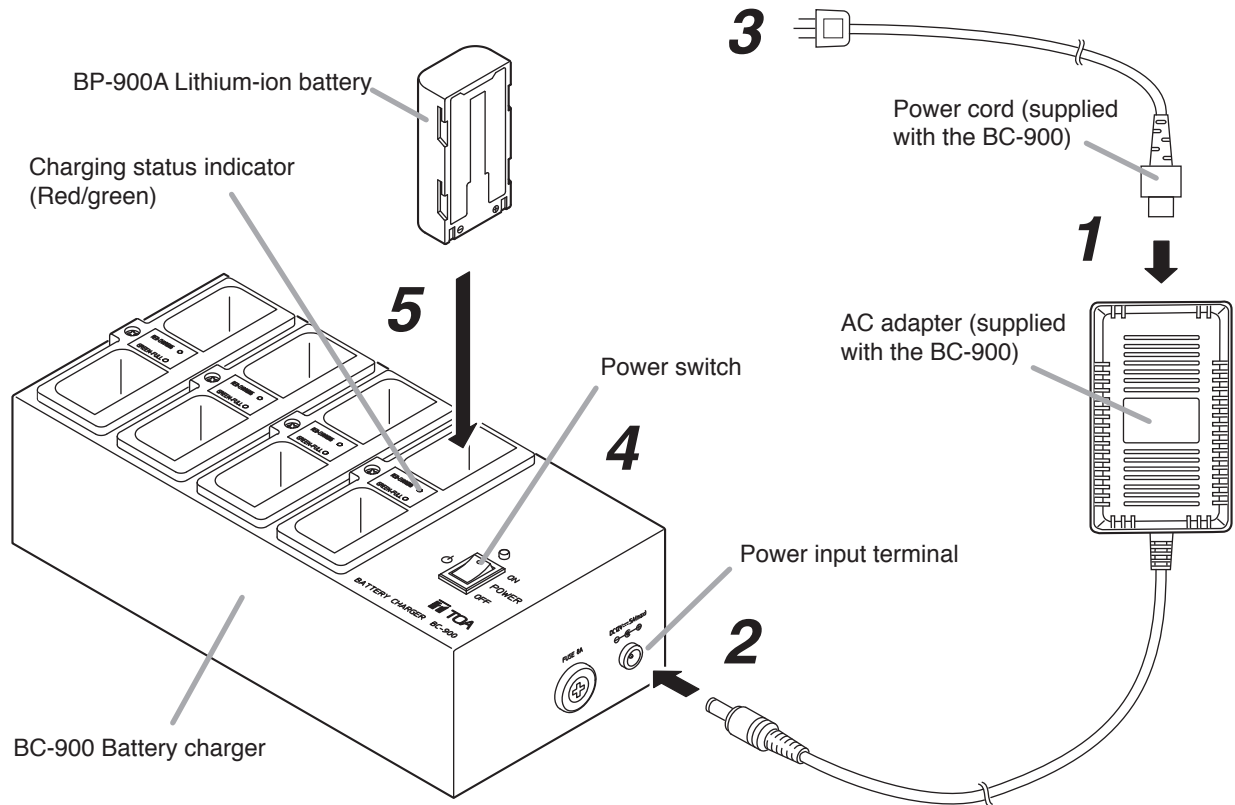
11.1.1. Inserting the lithium-ion battery



Note: A fully charged battery can be continuously used for about 10 hours.

11.1.2. Recharging

Use the BC-900 Battery charger to recharge the BP-900A Lithium-Ion battery.



Step 1. Connect the power cord to the supplied AC adapter.

Step 2. Connect the AC adapter to the Charger's power input terminal.

Step 3. Insert the AC plug into the AC wall outlet.

Step 4. Turn on the power switch.
The Power indicator lights green.

Step 5. Insert the battery fully into one of the Charger's battery receptacles with the battery oriented to the proper direction.
Ensure that the Charging status indicator lights red. If it does not light, check to see if the battery is correctly inserted.
Charging is completed within 5 hours and the Charging status indicator lights green.



WARNING

Stop charging if batteries are not fully charged within 5 hours. Continuously charging over 5 hours may cause batteries to fire, explode, leak, or heat.



CAUTION

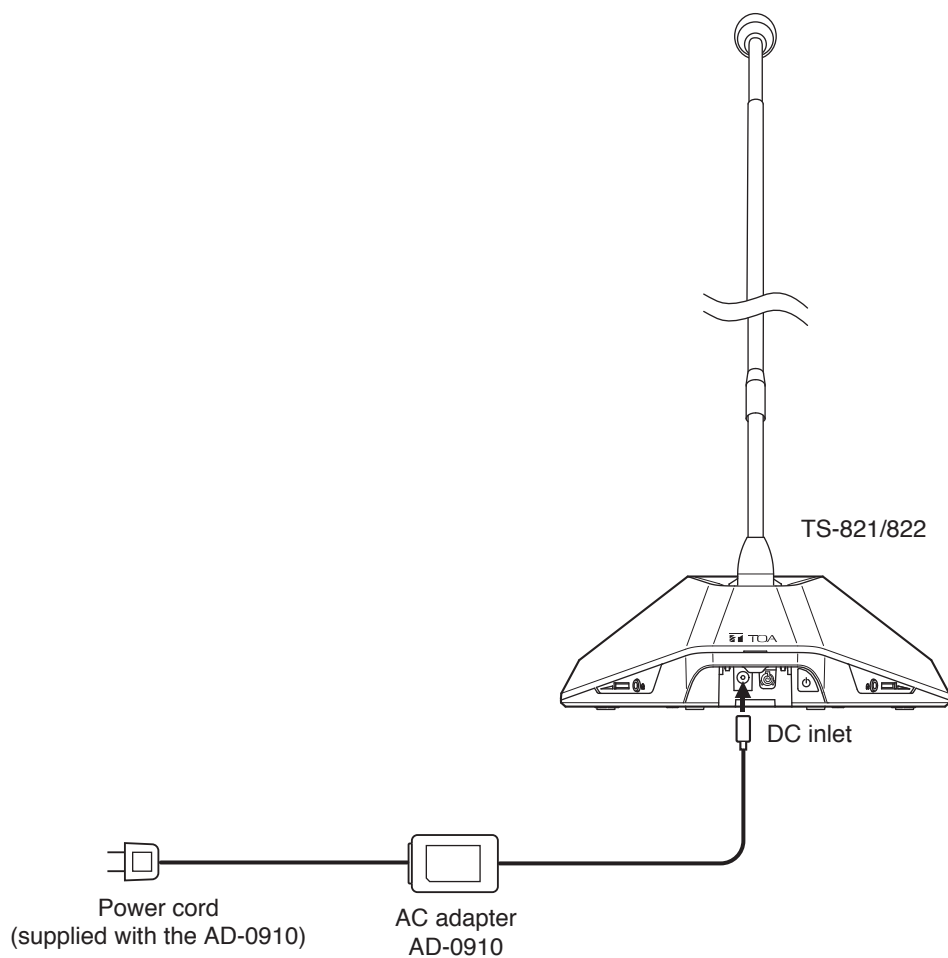
Remove the power supply plug of charger from the AC outlet after charging completion, as doing otherwise may cause a fire.

Note

Switching the Charger's power OFF and back ON again with fully-charged (charging completed) batteries inserted will result in repeated recharge of the batteries. Battery life could deteriorate from this repetitive charging.

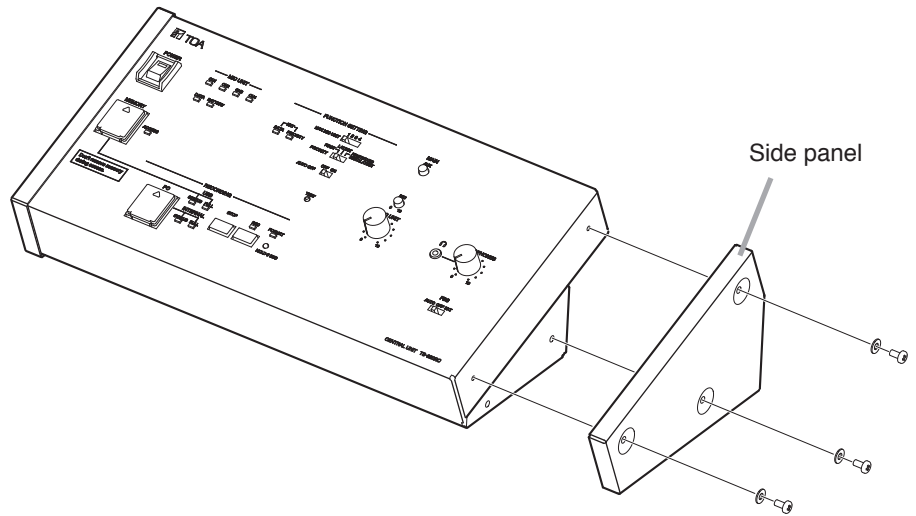
11.2. AD-0910 AC Adapter

Connect the AD-0910 AC adapter to the DC inlet located on the rear side panel of the Infrared conference units.



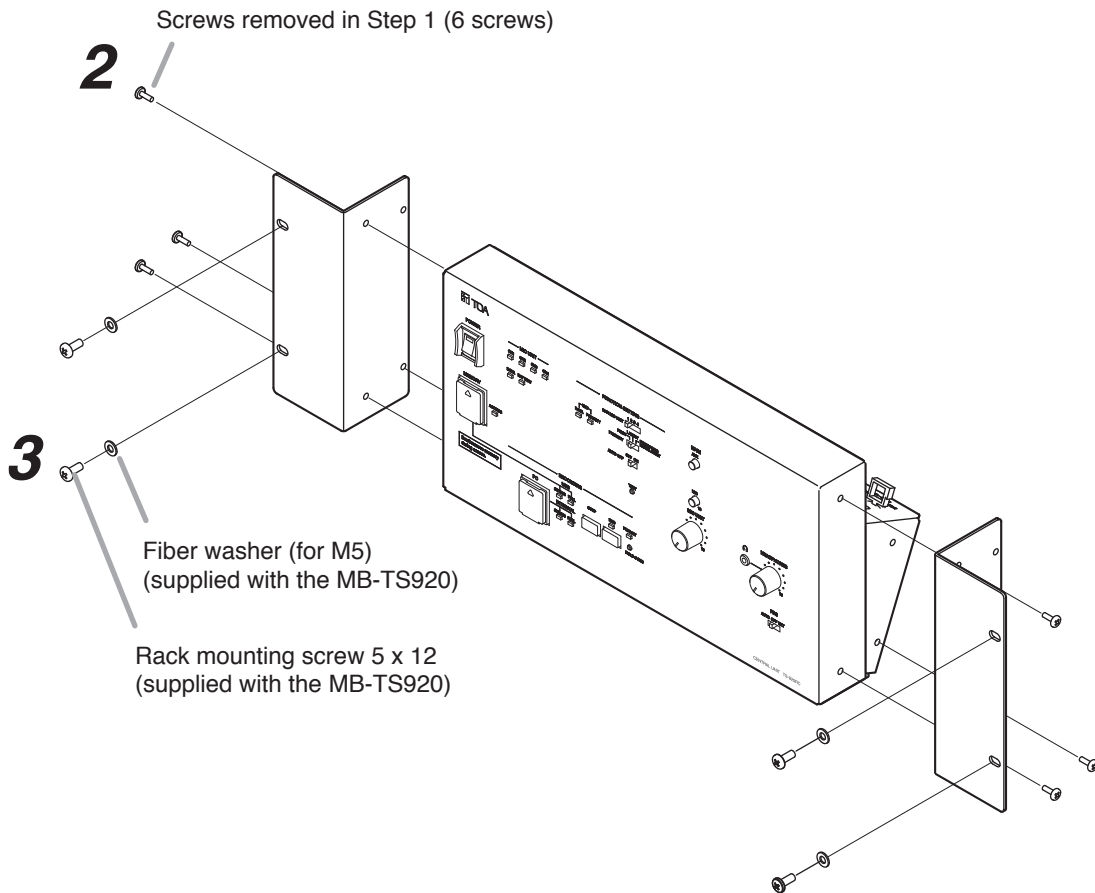
12. MOUNTING THE CENTRAL UNIT ON A RACK

Step 1. Detach both side panels of the TS-820RC/820 Central unit.
Removed screws are used in **Step 2**.



Step 2. Attach the MB-TS920 Rack mounting bracket to both sides of the Central unit.
Use the screws removed in **Step 1**.

Step 3. Mount the Central unit equipped with the mounting brackets in the rack.
Use the rack mounting screws and fiber washers supplied with the rack mounting bracket.



CAUTION

The rack mounting screws 5 x 12 supplied with the MB-TS920 can be used for the TOA equipment rack only. Do not use them for other racks.

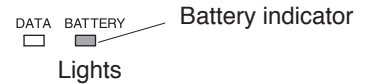
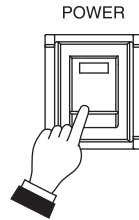
13. INSTALLATION STATUS CONFIRMATION

Installation status for the Infrared transmitter/receiver unit, and Conference units can be checked from the Central unit. Switch on the power to the Conference units to confirm their installation status after completing installation and connection.

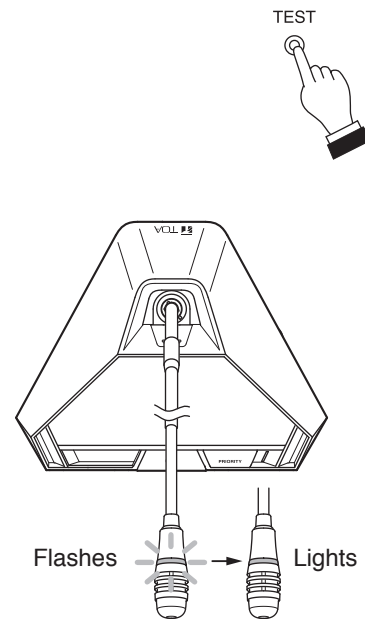
Note

None of the unit's functions can be used while in installation status confirmation mode, except Priority Speech initiated from the Chairman unit.

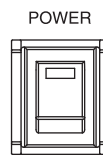
Step 1. Switch on the power to the Central unit while holding down its Installation status confirmation button.
The Central unit's Battery indicator lights, placing the unit in installation confirmation mode.



- (1) When a connection check signal is output from the Central unit, the Microphone in-use indicator on the Conference unit that has received the signal flashes.
- (2) An acknowledgement signal is transmitted from each Conference unit.
- (3) A response confirmation signal is output from the Central unit that has received the acknowledgement signal, and the Microphone in-use indicator on the Conference unit that has received the signal changes from flashing to steady ON.



Step 2. Press the Installation status confirmation button for 1 second or more after confirming the indication.
The Central unit's Battery indicator turns off. The Microphone in-use indicators on the Conference units also go out, and the installation status confirmation mode is terminated, returning the system to normal operation mode.



14. FUNCTION SETTINGS

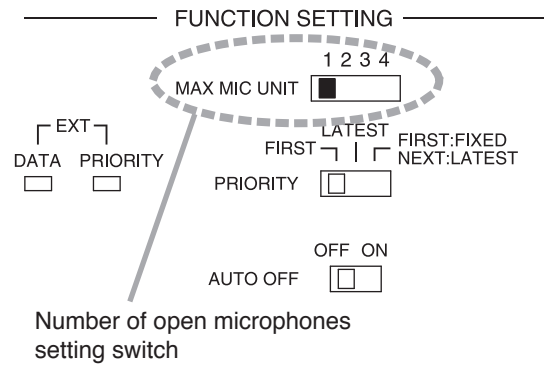
14.1. Setting the Maximum Number of Open Microphone

Using the Number of open microphones setting switch on the Central unit, set the maximum number of conference units that can be simultaneously activated.

Set the switch to [1], [2], [3], or [4] depending on the type of the conference. These numbers indicate the number of units that can be simultaneously activated. (This switch is factory-preset to the [1] position.)

Note

When the Talk key is pressed at a unit exceeding the set maximum number, how the corresponding unit operates can be determined in the speech priority settings referred to in the next section.



Number of open microphones setting switch

14.2. Speech Priority Settings

Operation following the depression of the Talk key on a Conference unit, when the maximum number of speakers that can be simultaneously initiated is reached, can be selected with the Speech Priority Selector switch on the Central unit.

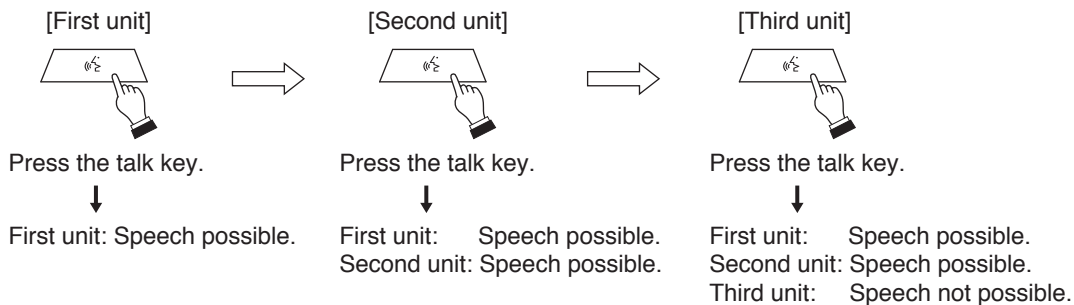
14.2.1. First-in/first-out priority

(FIRST, factory-preset switch position)

Speech is initiated on a first-come/first-served basis. When the maximum number of speakers is reached, subsequent speech requests cannot be accepted, even if the Talk key is pressed.

- Example when the number of open microphones is set to [2].

Conference unit

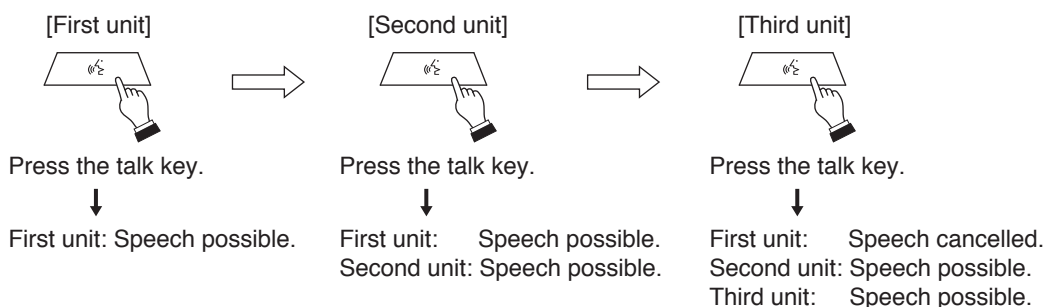


14.2.2. Last-in/first-out priority (LATEST)

When the maximum number of simultaneous speakers is reached, input from the most recent subsequent Talk key-pressed Conference unit takes precedence, thus rendering earlier speaking units inoperable.

- Example when the number of open microphones is set to [2].

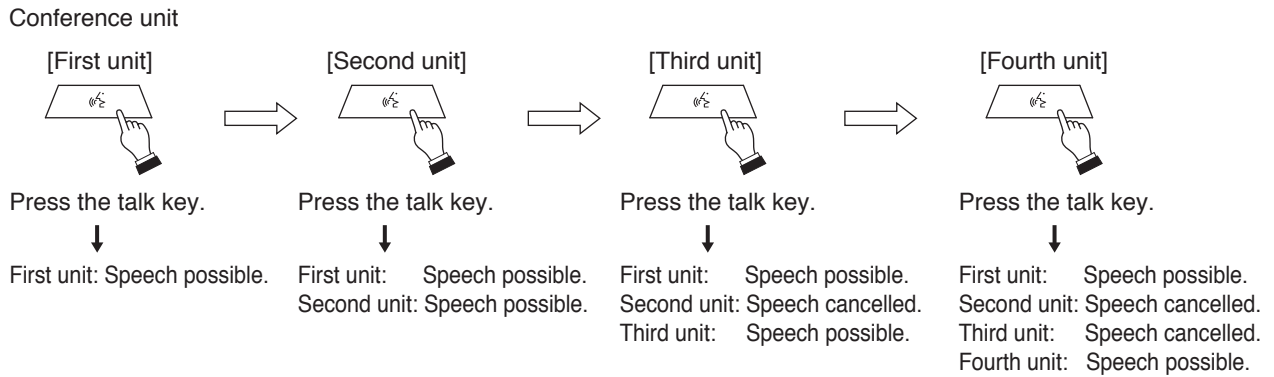
Conference unit



14.2.3. Priority fixed for first-enabled unit, and last-in/first-out priority for all subsequent units (FIRST: FIXED, NEXT: LATEST)

The first-enabled Conference unit is given fixed speech priority until its Talk key is pressed again. All subsequent Talk key-pressed units are given last-in/first-out priority, as in "LATEST."

- Example when the number of open microphones is set to [2].



14.3. Mic-Off Function

This function automatically turns off the microphone if the user neglects to turn it off following speech completion.

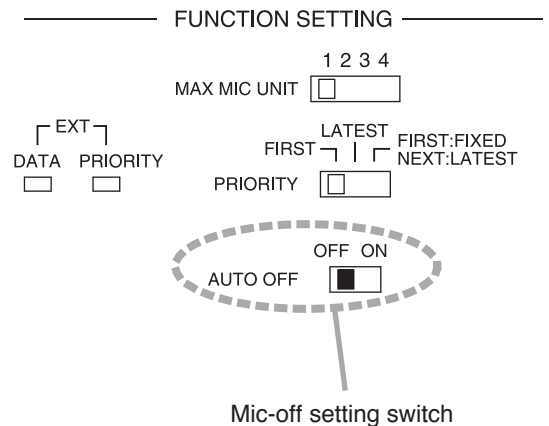
This function is enabled when the Mic-off setting switch on the Central unit is set to the ON position.

The microphone automatically turns off if a duration of silence lasts for about 30 seconds.

It is recommended that the Mic-off setting switch be set to the OFF position when not specifically using this function. (The Mic-off setting switch is factory-preset to the OFF position.)

Notes

- When the Mic-off setting switch is set to the ON position, the microphone automatically turns off if there is a silent interval of about 30 seconds, even though a speech may be in progress. In conferences, where long pauses during speeches can be experienced, set the switch to the OFF position.
- The Mic-Off function may not be operated correctly in high-noise areas.



15. OPERATION

15.1. Initiating Speech

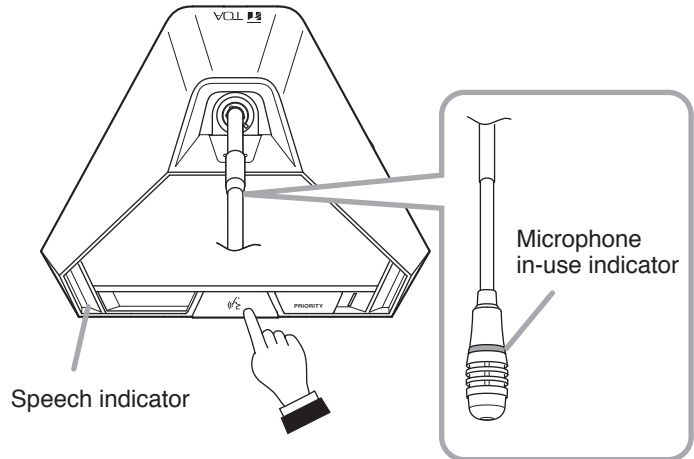
Step 1. Press the Talk key on the Conference unit.

The Speech indicator and Microphone in-use indicator light, placing the unit in speech mode.

No sound is output from the monitor speaker while both indicators are continuously lit.

Note

The unit cannot be used for speech if the indicators do not light.



The figure shows the TS-821.

Step 2. Speak into the microphone.

Step 3. Press the Talk key again after speech completion.

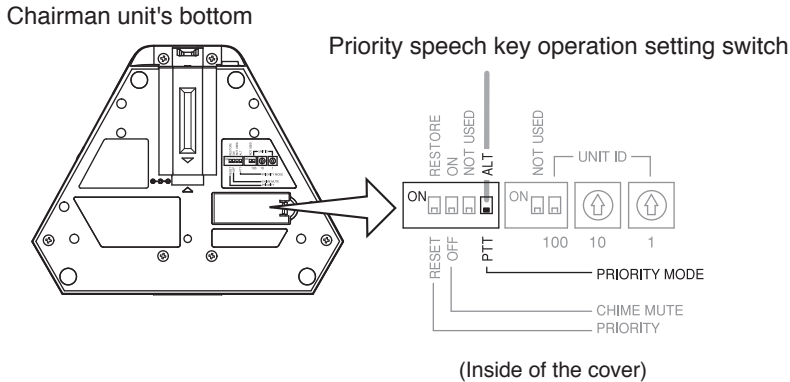
The indicators go out, and sound can be output from the monitor speaker.

Note

When the user forgets to turn off the microphone, the Mic-Off function automatically turns off the microphone approximately 30 seconds after speech completion. (Refer to p. 40.)

15.2. Initiating Priority Speech (TS-821 only)

The Chairman unit features the function that allows its speech to take precedence over that of the Delegate unit. The Chairman unit's speech is prior to the AUX and MIC inputs. The priority speech method can be determined by the Priority speech key operation setting switch built in the Chairman unit's bottom.



15.2.1. When the Priority speech key is set to PTT type (Factory-preset)

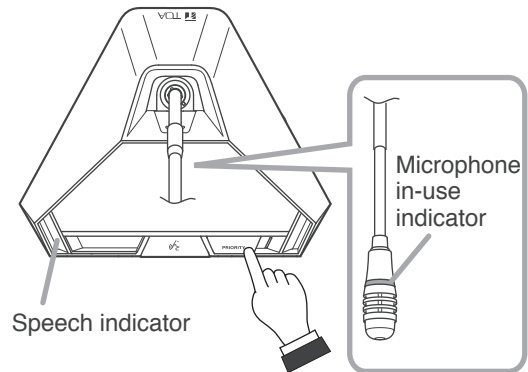
Step 1. Speak while holding down the Priority speech key. Both the Speech indicator and the Microphone in-use indicator light, placing the unit in priority speech mode. No sound is output from the monitor speaker while both indicators are continuously lit. A chime tone* sounds at other units, preventing them from being used for speaking.

* The chime tone can be enabled or disabled using the Priority Chime Mute switch located on the bottom side of the unit.

- ON: No chime sounds.
- OFF: Chime sounds. (Factory-preset position)

Note

When two or more Chairman units are used in a system, a priority speech currently in progress from one unit can be interrupted by pressing the Priority speech key of another Chairman unit, allowing the latter unit to go through. (Last-in-first-out priority)



Step 2. Release the Priority speech key after speech completion. Both indicators go out, and sound can be output from the monitor speaker.

Note

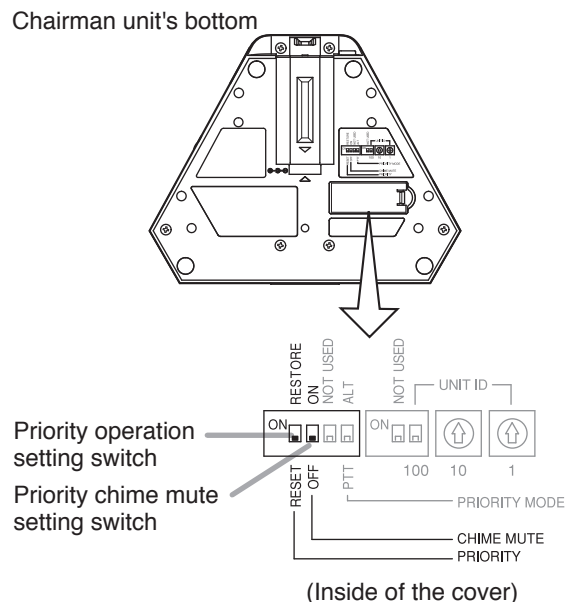
After the priority speech is completed, the other interrupted unit resumes operation as predetermined by the setting of the Interrupted Priority operation setting switch located on the bottom side of the unit.

RESTORE: Resumes the unit's mode prior to being interrupted by the priority speech.

RESET: Resets all units currently being used for speech (Factory-preset position). When an interrupted party wishes to continue to speak, the Speech key must again be pressed.

Note

The Chairman unit that initiated the priority speech automatically returns to its original mode following priority speech completion, regardless of its Priority operation setting switch setting.



15.2.2. When the Priority speech key is set to ALT type

Step 1. Press the Priority speech key.

Both the Speech indicator and the Microphone in-use indicator light, placing the unit in priority speech mode. No sound is output from the monitor speaker while both indicators are continuously lit. A chime tone* sounds at other units, preventing them from being used for speaking.

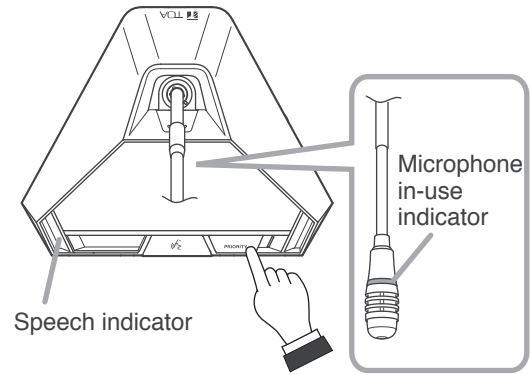
* The chime tone can be enabled or disabled using the Priority chime mute switch located on the bottom side of the unit.

ON: No chime sounds.

OFF: Chime sounds. (Factory-preset position)

Note

When two or more Chairman units are used in a system, a priority speech currently in progress from one unit can be interrupted by pressing the Priority speech key of another Chairman unit, allowing the latter unit to go through. (Last-in-first-out priority)



Step 2. Speak into the microphone.

Step 3. Press the Priority speech key again after speech completion.

Both indicators go out, and sound can be output from the monitor speaker.

Note

After the priority speech is completed, the other interrupted unit resumes operation as predetermined by the setting of the Interrupted Priority operation setting switch located on the bottom side of the unit.

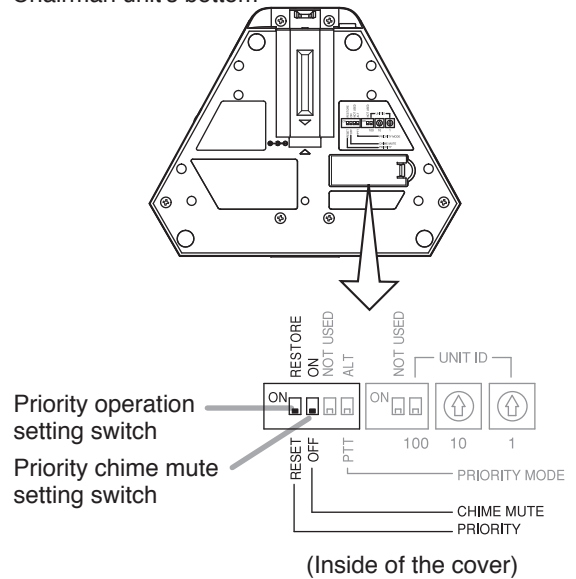
RESTORE: Resumes the unit's mode prior to being interrupted by the priority speech.

RESET: Resets all units currently being used for speech (Factory-preset position).
When an interrupted party wishes to continue to speak, the Speech key must again be pressed.

Note

The Chairman unit that initiated the priority speech automatically returns to its original mode following priority speech completion, regardless of its Priority operation setting switch setting.

Chairman unit's bottom



15.3. Using the Recording Function (TS-820RC only)

The TS-820RC Central unit is equipped with a recording function, making it possible to create sound source files by recording conference dialog and the like to a commercially available USB memory device. The unit is also equipped with internal memory for recording operations, and allows recording even when abnormalities arise with the USB memory device.

Note

Only recording can be performed by the Central unit. Use a PC to reproduce, delete or copy sound source files.

15.3.1. Notes on use

Important

Avoid removing the USB memory device during recording. If removed, the USB memory device might not continue to function properly, or data could be lost.

- Avoid simultaneously connecting a USB memory device and PC to the Central unit.
- The USB memory device cannot be formatted by the unit.
- While a PC is connected, neither recording nor internal memory formatting can be performed by the unit.
- Only USB memory devices can be inserted into the USB memory port. Inserting other USB devices could result in operational failure.
- Move the sound source file created in the USB memory device to a PC or other device without saving it to the USB memory device.
- When inserting or removing the USB memory device or PC connector, do not apply unreasonable force to the port. Failure to observe this instruction could lead to failure of the unit or damage to the PC or other devices.
- Ensure that the USB memory device or PC connector is removed when moving the unit from one place to another. Moving the unit with such devices inserted could cause failure to the unit or damage to the USB memory device or PC connection port.
- Be sure to replace the dustproof cover over the USB memory port and the PC connection port to prevent dust or foreign objects from entering the ports when not in use.
- Be sure to back up recorded internal memory sound source data to a PC or other device, as data could be lost due to the unit's failure or faulty operation.

15.2.3. Usable USB memory devices

- USB memory device (flash drive) with a capacity of up to 32 GB.
- Compatible with USB 2.0 devices.
- When using a USB memory device with the Central unit for the first time, format it with a PC before using.

Formatting conditions are as follows:

File system: FAT32

Allocation unit size: At least 4KB

Note

Perform full formatting, not quick formatting.

- Insert the USB memory device into the PC and perform error checking before use.
- Ensure that the USB memory device is ONLY used with the Central unit, and avoid using it for other purposes.
- The Central unit is not compatible with USB memory devices having other specialized functions, such as security functions.
- There may be cases in which a USB flash drive cannot be used with the TS-820RC, depending on the drive's attributes or recording conditions.

15.2.4. Sound source file specifications and filenames

Notes

- All sound inputs are mixed and recorded.
- Noise may be generated, depending on the contents or volume settings of the input sound source. If annoying, adjust the sound volume of the conference unit or external sound source.

Shown below are specifications and filename format for recorded sound source files:

- Specifications

Recording format: MP3 (monaural)
Sampling frequency: 32 kHz
Bit rate: 128 kbps
Maximum file size: 54.9 MB (recording time: 1 hour)

Tips

- Since the sound source file is automatically divided each time one hour elapses, the above is the maximum size.
- The size of the internal memory is 1 GB, allowing recordings to be made for a total of approximately 18 hrs.

- Filename format

A filename indicating the Year, Month, Date, Hour, Minute and Second of the time that the recording was started is automatically assigned to each file as follows:

Sound source filename: YYYYMMDD_HHMMSS.mp3

Example

In the case of a recording started at precisely 10 o'clock AM on January 1, 2019, the filename "20190101_100000.mp3" is assigned when the recording is stopped.

When a recording is continuously made for longer than one hour, the sound source file will automatically be divided whenever one hour passes, and the resulting file saved under a newly assigned filename.

[Time Setting and Confirmation]

Recording start time of a sound source filename is in accordance with the Central unit's internal clock.

The internal clock can be set and confirmed using a connected PC installed with the TS-820RC/920RC Time setting tool.

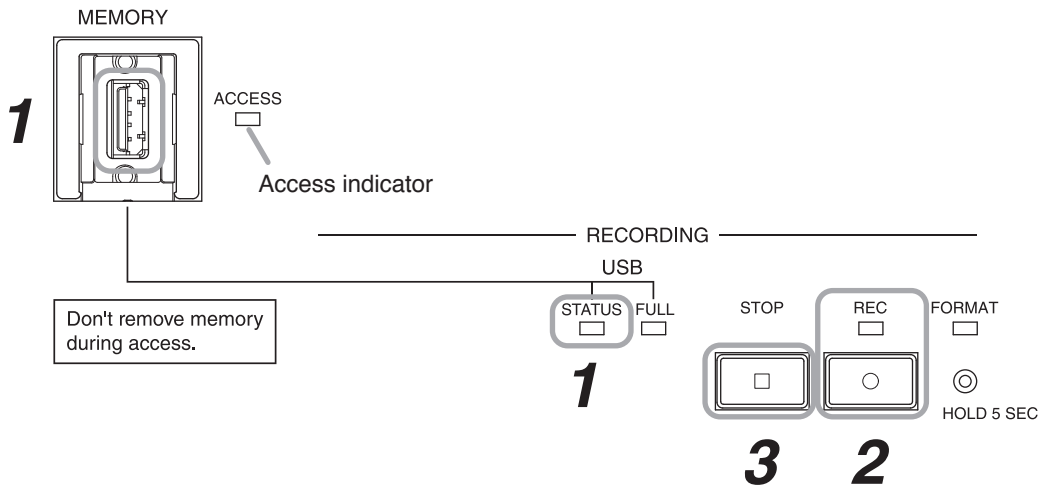
The TS-820RC/TS-920RC Time setting tool can be downloaded from the TOA product data download site (<https://www.toa-products.com/international/>).

Click on the link above to access the download site, then enter the model number (TS-820RC) in the Model No. field to search for the specified software and download accordingly.

15.3.2. Recording to a USB memory device

A commercially available USB memory device (flash drive/thumb drive) is required to make USB memory recordings using the Central unit. Prepare a USB memory device that meets all the conditions shown in the section, "Usable USB memory devices" on p. 44.

[Procedure for recording to a USB memory device]



Step 1. Insert the USB memory device into the USB memory port.

If the inserted USB memory device is usable, the USB memory status indicator lights green.

Important

When a USB memory device is inserted, do not remove it or turn off the power switch while the Access indicator is lit. Failure to observe this instruction could cause damage to the USB memory device.

Step 2. Press the Recording Start button.

Recording begins. The Recording status indicator lights red and the Access indicator lights green.

Important

In some cases, quite a few seconds could pass after the USB memory device is inserted before the USB memory status indicator lights green. Since the Central unit is in the process of recognizing the USB memory device during this time, do not remove the USB memory device nor turn off the power switch, as the USB memory could be damaged.

Tip

If the USB memory device's remaining recordable time falls to less than one hour, the Remaining USB memory capacity warning indicator will flash orange.

Step 3. Press the Recording Stop button to stop the recording.

The Recording status and Access indicators are extinguished when recording operation is complete.

Important

After the Recording Stop button is pressed, do not remove the USB memory nor turn off the power switch while the Recording status indicator remains lit red. The red light indicates that the Central unit is in the process of saving the sound source file for the previously stopped recording. Removing the USB memory or turning off the power switch could interrupt the save operation and possibly result in the sound source file being lost.

[Moving a sound source file from the USB memory device]

Using a PC, copy the sound source file to the PC's hard drive. Refer to the instruction manual enclosed with the USB memory device or the PC for the correct copy procedure.

Important

When disconnecting and removing the USB memory device from the PC, be sure to perform "Safe Hardware Removal" using the PC. Please read the PC's instruction manual regarding this removal procedure.

[Selecting sound source files on the USB memory device and deleting them]

Delete the selected sound source file using a PC. Please refer to the instruction manual for either the USB memory device or the PC concerning file deletion procedures.

Important

When disconnecting and removing the USB memory device from the PC, be sure to perform "Safe Hardware Removal" using the PC. Please read the PC's instruction manual regarding this removal procedure.

15.3.3. Recording to the internal memory

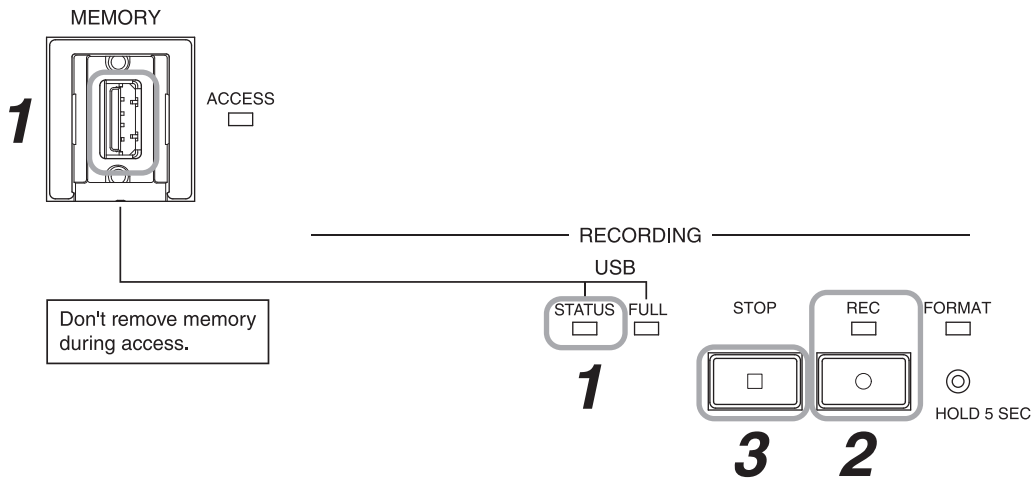
The use of a PC with the following specifications is highly recommended when moving, copying or deleting a sound source file recorded to the Central unit's internal memory.

Compatible PC	Windows PC (equipped with USB ports)
Recommended operating system	Windows 10 (64-bit)

Note

Windows is the registered trademark of Microsoft Corporation in the United States and other countries.

[Procedure for recording to the internal memory]



Step 1. Confirm that no USB memory device is inserted in the USB memory port and that the Internal memory status indicator is lit green.

Step 2. Press the Recording Start button.
Recording begins and the Recording status indicator lights red.

Tip

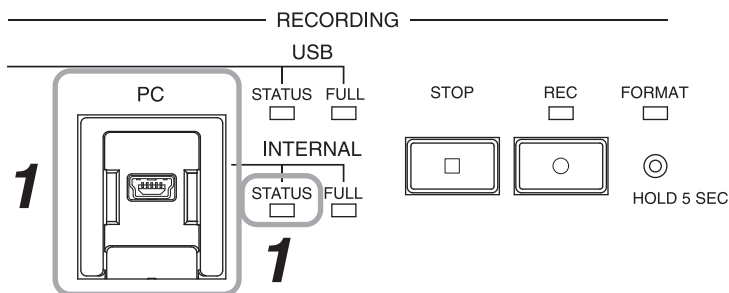
If the internal memory's remaining recordable time falls to less than one hour, the Remaining internal memory capacity warning indicator will flash orange.

Step 3. Press the Recording Stop button to stop the recording.
The Recording status indicator is extinguished when recording operation is complete.

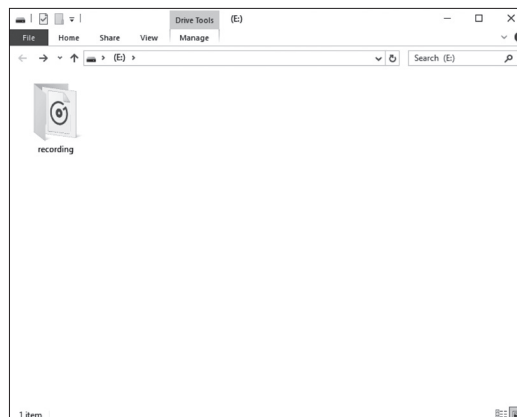
Important

After the Recording Stop button is pressed, do not turn off the power switch while the Recording status indicator remains lit red. The red light indicates that the Central unit is in the process of saving the sound source file for the previously stopped recording. Turning off the power switch could interrupt the save operation and possibly result in the sound source file being lost.

[Moving sound source files from the internal memory]



Step 1. Connect a PC to the PC Connection port.
 The Internal memory status indicator flashes green, and the USB drive window at right is displayed on the PC screen.



Step 2. Open the "recording" folder.

Step 3. Select the desired sound source and move or copy it to the PC's hard drive.

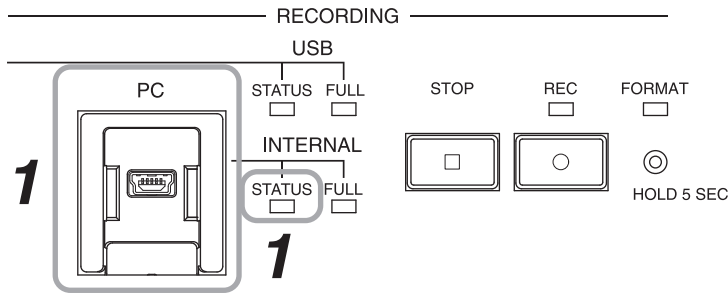
Important

When disconnecting the PC from the Central unit, be sure to perform "Safe Hardware Removal" using the PC. Please refer to the PC's instruction manual regarding the removal procedure.

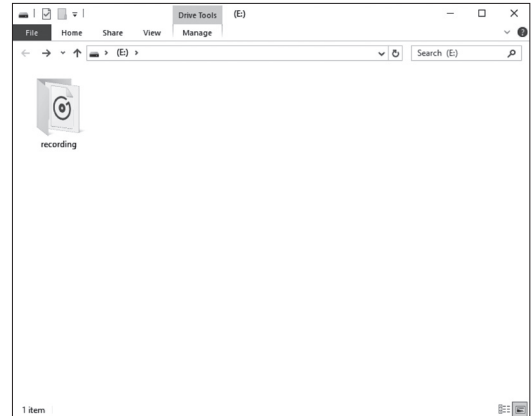
Note

Data recorded to the Central unit's internal memory cannot be moved or copied to the connected USB memory device.

[Selecting and deleting an internal memory sound source file]



Step 1. Connect a PC to the PC Connection port.
The Internal memory status indicator flashes green, and the USB drive window at right is displayed on the PC screen.



Step 2. Open the "recording" folder.

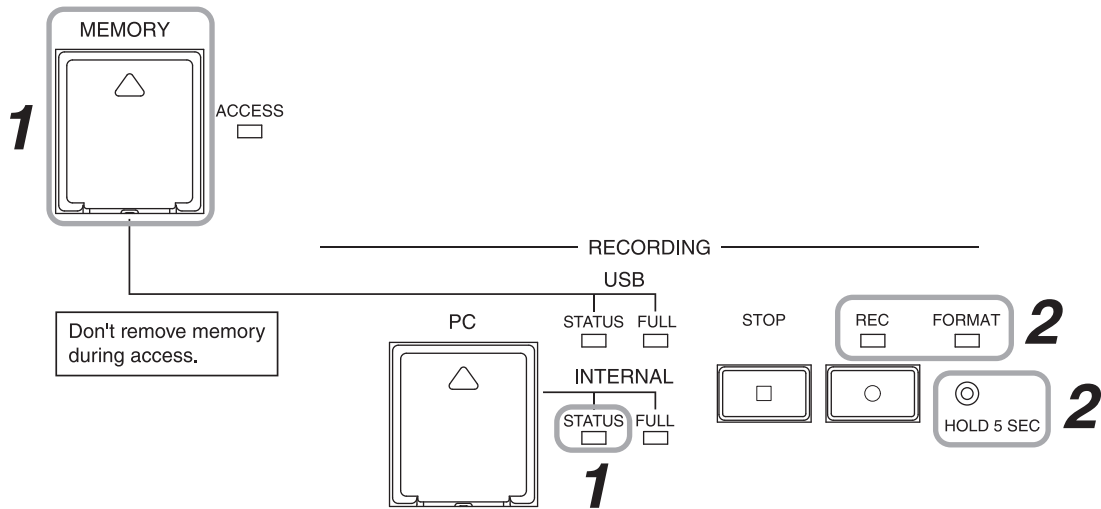
Step 3. Select the file to be deleted and select "Delete" by right-clicking.

Tip

The file can also be deleted by moving it to the trash box.

[Deleting (formatting) all internal memory sound source files]

All sound source files recorded to the internal memory can be simultaneously deleted by formatting the internal memory.



Step 1. Confirm that no USB memory device is inserted in the USB memory port, and that the Internal Memory status indicator is lit green.

Step 2. Hold down the Format button for 5 seconds or more.
Formatting begins and both the Format in-progress indicator and the Recording status indicator flash red.
When formatting is completed, both the Format in-progress indicator and the Recording status indicator are extinguished.

16. IF ACOUSTIC FEEDBACK OCCURS

An annoying screeching sound may be produced when using a public address system. It is referred to as "Acoustic feedback*" that will occur at various frequencies depending on the surrounding environment. The Central unit's built-in Feedback suppressor (FBS) function effectively suppresses acoustic feedback through simple operation (depresses the volume level at the feedback frequency). If the built-in FBS function cannot deal with the acoustic feedback, an external graphic equalizer (prepare separately) can be used for more effective feedback suppression.

Note

The following measures against acoustic feedback are effective for suppressing feedback only caused by the Conference unit, but not effective for the feedback caused by the external microphone.

If acoustic feedback stops by fully turning down the volume of the external microphone, you will find that the external microphone is the cause of the feedback.

In this case, decrease the external microphone's volume to a level that feedback does not occur or use the external microphone away from the speaker.

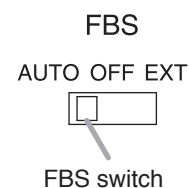
* It will occur when a feedback loop is formed in the process that sound from a speaker is picked up by a microphone, re-amplified, and output through the speaker.

16.1. Using the Built-in FBS Function

Note

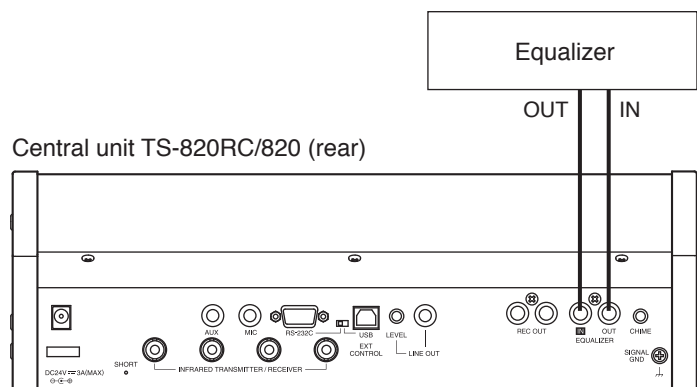
If acoustic feedback cannot be suppressed with the built-in FBS function, widen the distance between the Chairman unit and Delegate units, reduce the output volume, or use an external graphic equalizer. (Refer to p. 54.)

Step: Set the Feedback suppressor switch to the AUTO position. The FBS function automatically searches a frequency that will cause acoustic feedback and suppresses the feedback by decreasing the volume level at such frequency.

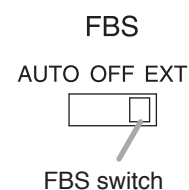


16.2. Using an External Graphic Equalizer

Step 1. Connect an external equalizer to the unit as shown below.



Step 2. Set the FBS switch to the EXT position.



Step 3. Take measures against acoustic feedback using the graphic equalizer. For operation method of the graphic equalizer, read the instruction manual supplied with it.

17. IF A FAILURE IS DETECTED

17.1. Infrared Chairman Unit TS-821 and Infrared Delegate Unit TS-822

Symptom	Cause and Points to Check	Remedy
Cannot turn ON power.	(When using the lithium-ion battery) Battery not charged.	Batteries are not charged as shipped from the factory. Be sure to fully charge the battery before use. (Refer to p. 35.)
	(When using the AC adapter) Power cord or DC input plug not connected.	Connect the power cord (supplied with the AC adapter) and the DC input plug correctly. (Refer to p. 36.)
No sound output from the speaker or headphones.	Monitor volume control not correctly adjusted.	Adjust the volume to an appropriate level.
	Headphone plug not fully inserted.	Insert the headphone plug fully into the jack.
Cannot initiate speech.	Central unit's rear panel-mounted Short circuit indicator remains lit.	Check the cable connected to the Central unit's Infrared transmitter/receiver unit I/O terminals.
	Live status indicator on the Infrared transmitter/receiver unit remains dark.	
Cannot operate the Talk key.	Unit address numbers outside range of 001 – 064.	Set the unit address number within the range of 001 – 064. (Refer to p. 32.)
	Infrared emitter/detector exposed to direct sunlight or spotlight.	Reposition in a location not exposed to direct light. (Refer to p. 19.)
	Infrared transmitter/receiver units and Conference units not positioned to permit their infrared emitter/detector sections to be in sight of each other. TS-905 or TS-907 Infrared transmitter/receiver units not correctly selected to match the ceiling height and installed so that all the Conference units are in the communications service area. (If both the Power and Speech indicators simultaneously flash, this indicates the unit is out of the communications service area.)	Install all the units so that they are in clear view of each other, and select and install the Infrared/ Transmitter/ Receiver units correctly for the ceiling height. (Refer to p. 20.)
	Cable between the Infrared transmitter/receiver unit and the Central unit not connected.	Connect the cable.
	Priority speech is in progress.	Operate the key after the priority speech is completed.
Indicator on the microphone goes out during speech.	Mic-Off function set to ON.	Disable the Mic-Off function if a long pause is made during speech.
Microphone indicator flashes.	Battery voltage has dropped below a marginal level.	Replace the battery with a fully charged one.

Symptom	Cause and Points to Check	Remedy
Chime does not sound when the Priority speech key is pressed.	Central unit's rear panel-mounted Priority Chime volume control is set to the minimum volume position.	Adjust the volume control to an appropriate level.
	The Priority chime mute switch in the Chairman unit's bottom is set to ON.	Set the Priority chime mute switch to OFF.
Mic-Off function does not work.	High background noise level generated by such equipment as air conditioners.	In areas where the background noise level is high, the Mic-Off function may not work. Reposition in a low-noise location or turn off the Mic-Off function.
Battery can be used only for a short period of time.	Not fully charged.	Charging is completed within 5 hours. Note: Fully charged batteries can be used for up to 10 hours. (Refer to p. 35.)
	Battery is approaching the end of its life.	Use a brand-new battery. Note: Battery can be recharged almost 300 times.

17.2. Central Unit TS-820RC/820

Symptom	Cause and Points to Check	Remedy
Cannot switch ON the power.	Power cord or DC plug not connected.	Correctly connect the power cord and DC plug supplied with the Central unit. (Refer to p. 19.)
Recording cannot be made to the USB memory device or otherwise recording stops. (TS-820RC only)	USB memory capacity is insufficient. When its capacity is insufficient, the USB memory remaining capacity warning indicator lights and the USB memory status indicator extinguishes.	Insert a USB memory device that has sufficient remaining capacity, then confirm that the USB memory status indicator lights green before commencing recording. (Refer to p. 46.)
	USB memory failure. If any failure of the USB memory device is detected, the USB memory status indicator lights red.	Insert a different USB memory device, then confirm that the USB memory status indicator lights green before commencing recording. (Refer to p. 46.)
Recordings cannot be made to the internal memory, or recording otherwise stops. (TS-820RC only)	Remaining internal memory capacity is insufficient. When recording capacity becomes insufficient, the Internal memory remaining capacity warning indicator lights and the Internal memory status indicator extinguishes.	Delete recorded files from the internal memory to create sufficient free space for further recording, then confirm that the Internal memory status indicator lights green before commencing recording. (Refer to p. 47.)
	Internal memory failure. If any failure of the internal memory is detected, the Internal memory status indicator lights red.	Reformat the internal memory, then confirm that the Internal memory status indicator lights green before commencing recording. Note Formatting the memory causes all recorded files on it to be deleted. Therefore, it is highly recommended that any necessary files be saved to an external memory device beforehand. (Refer to p. 49.)

17.3. Battery Charger BC-900

Symptom	Cause and Points to Check	Remedy
Power indicator (green) does not light even if the power switch is turned ON.	AC plug is not inserted into the wall AC outlet.	Insert the AC plug to the wall AC outlet.
	Fuse has blown.	The fuse must be replaced. For replacement, consult your TOA dealer.
Charging status indicator (red) does not light even if the lithium-ion battery is inserted into its receptacle.	Lithium-ion battery not correctly inserted into its receptacle.	Insert the lithium ion battery fully into its receptacle.
	Charging terminals are dirty.	Wipe the terminals with a dry cotton swab to clean them.
Short battery recharge duration.	Deterioration of the lithium-ion battery.	Replace with a brand-new BP-900A Lithium-ion battery.

18. APPENDIX (INFRARED TRANSMITTER/RECEIVER CONNECTION)

This chapter describes how to find the maximum cable length between the Central unit and the Infrared transmitter/receiver unit.

Values calculated here are given only as guidelines, since they can vary depending on ambient building conditions and the Infrared transmitter/receiver unit.

18.1. Wiring Design

18.1.1. Confirming the wiring design

To obtain the maximum cable length between the Infrared transmitter/receiver unit and the Central unit, calculate the cable length on the following each condition. The shorter length of the two results is the required extendable length.

- (1) Maximum allowable wiring loss: 20 dB (Total cable and distributor loss)
- (2) Maximum allowable DC voltage drop: 5 V

Values necessary for each calculation are as follows.

- Values necessary for calculating the loss

- (1) 2-branch distributor (YW-1022) loss: 4.5 dB
- (2) 4-branch distributor (YW-1024) loss: 8.5 dB
- (3) Coaxial cable loss per 100 m (table shown below)

RG-59/U	3.3 dB
RG-6/U	2.7 dB
RG-11/U	2.0 dB

Note: The values in the table above are losses at 10 MHz.

- Values necessary for calculating the voltage drop

- (1) Operating current per Infrared transmitter/receiver unit: 0.1 A (TS-905), 0.13 A (TS-907)
- (2) Distributor resistance loss: 0 Ω
- (3) Coaxial cable loop resistance per 100 m (table shown below)

RG-59/U	16.82 Ω
RG-6/U	12.82 Ω
RG-11/U	2.4 Ω

Note: The values in the table above are losses at 10 MHz.

Note: Coaxial cable loss and loop resistance values used here are based on our investigation.

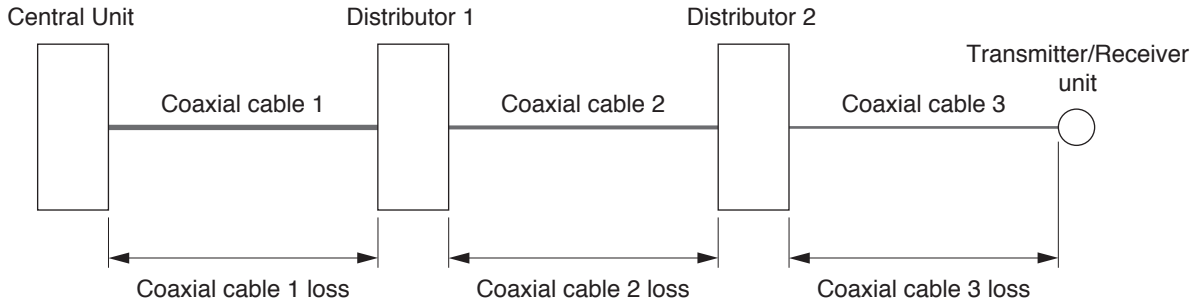
18.1.2. Computational equation

- Finding the wiring loss

Requirement: Total loss ≤ 20 dB

Cable loss = (Length / 100) x Loss per 100 m

Total loss = Cable 1 loss + Cable 2 loss + Cable 3 loss + Distributor 1 loss + Distributor 2 loss



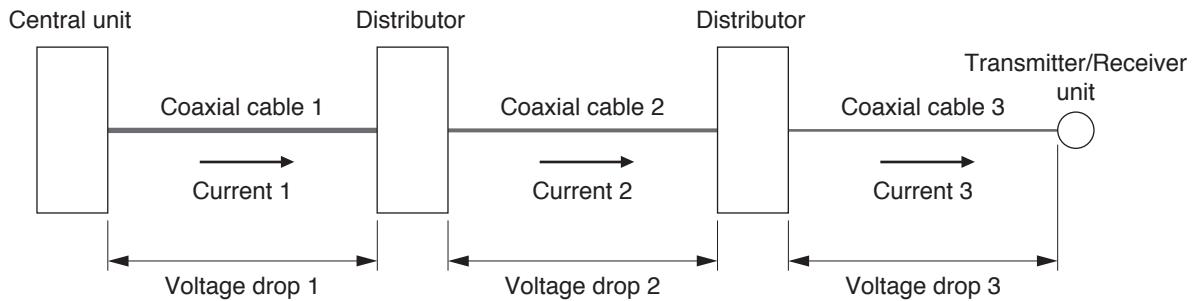
- Finding the wiring voltage drop

Requirement: Total voltage drop ≤ 5 V

Cable voltage drop = (Length / 100) x Loop resistance per 100 m x Current

Cable current = Number of the connected Infrared transmitter/receiver units x 0.1 (TS-905) or 0.13 (TS-907)

Total voltage drop = Voltage drop 1 + Voltage drop 2 + Voltage drop 3

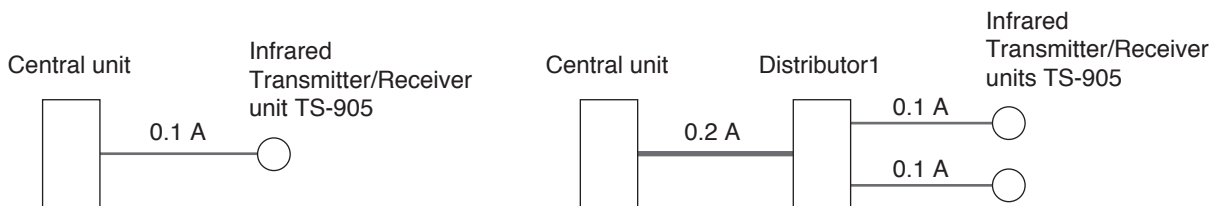


Note: For the coaxial cable required to carry a large current, use a cable of low loop resistance type.

[Finding the cable current]

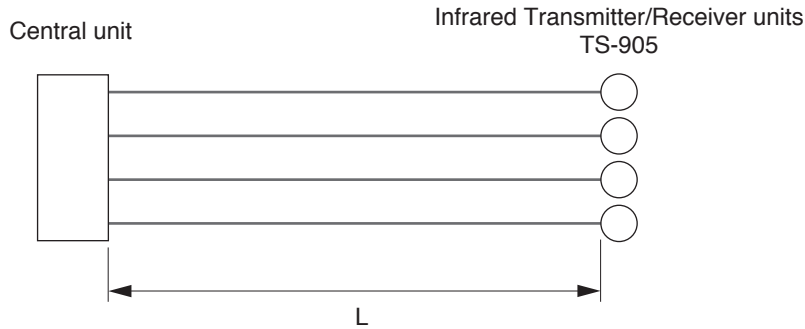
Cable current = Number of the connected Infrared transmitter/receiver units x 0.1 (TS-905) or 0.13 (TS-907)

The cable current changes when the Distributor is used, as shown below.



18.2. Design Examples

18.2.1. Example : When installing 4 TS-905 infrared transmitter/receiver units using 4 coaxial cables reaching from the central unit:



1) Finding the maximum cable length using maximum allowable cable losses

Assuming that the type of coaxial cable used is RG-59/U,

$$\begin{aligned} \text{Maximum cable length } L &= (\text{Coaxial cable loss} / \text{its cable loss per } 100 \text{ m}) \\ &= (20 \text{ dB} / 3.3 \text{ dB}) \times 100 \text{ m} \\ &= 606 \text{ m} \end{aligned}$$

The following table shows the maximum allowable cable length for each type of coaxial cable.

RG-59/U	606 m
RG-6/U	740 m
RG-11/U	1000 m

2) Finding the maximum cable length using voltage drop

Since one TS-905 Infrared transmitter/receiver unit is connected per coaxial cable, the current that flows through each coaxial cable is 0.1 A.

Assuming that the type of coaxial cable used is RG-59/U,

$$\begin{aligned} \text{Maximum length } L &= \{ (\text{Voltage drop } 1 / \text{Current } 1) / \text{Coaxial cable loop resistance } 1 \text{ for } 100 \text{ m} \} \\ &= \{ (5 \text{ V} / 0.1 \text{ A}) / 16.82 \Omega \} \times 100 \text{ m} \\ &= 297 \text{ m} \end{aligned}$$

The following table shows the maximum allowable cable length for each type of coaxial cable.

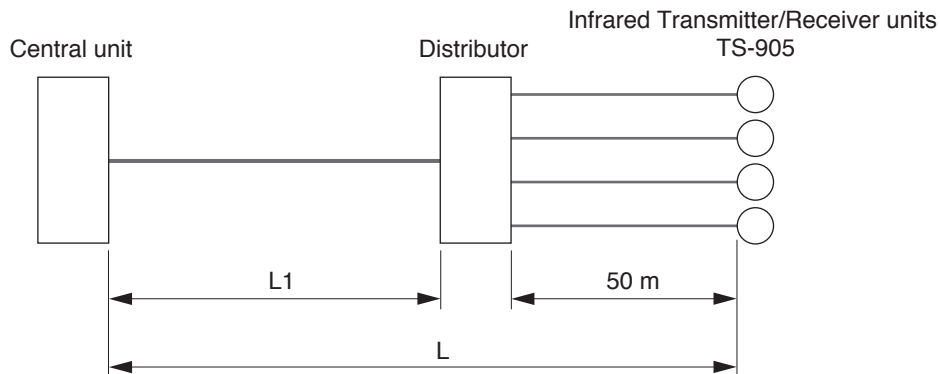
RG-59/U	297 m
RG-6/U	390 m
RG-11/U	2083 m

The table below shows the required maximum cable length for the example 1, the shorter length of the calculation results (1) and (2) above.

RG-59/U	297 m
RG-6/U	390 m
RG-11/U	1000 m

18.2.2. Example 2: When installing 4 TS-905 infrared transmitter/receiver units using 1 coaxial cable reaching from the central unit (one 4-branch distributor connected):

Condition: Cable length between the Distributor and the TS-905 Infrared transmitter/receiver unit is assumed to be 50 meters.



1) Finding the maximum cable length using maximum allowable cable losses

Assuming that RG-59/U coaxial cable is used between the Distributor and the Infrared transmitter/receiver unit, the cable loss between the two is calculated by the following equation:

$$\text{Cable loss} = 3.3 \text{ dB} \times (50 \text{ m} / 100 \text{ m}) = 1.65 \text{ dB}$$

Since the Distributor's internal loss is 8.5 dB, the maximum allowable loss between the Central unit and the Distributor becomes 9.85 dB (20 dB – 1.65 dB – 8.5 dB).

When RG-6/U coaxial cable is used between the Central unit and the Distributor, the length L1 between the two is,

$$\begin{aligned} L1 &= (\text{Coaxial cable loss} / \text{its cable loss per } 100 \text{ m}) \\ &= (9.85 \text{ dB} / 2.7 \text{ dB}) \times 100 \text{ m} \\ &= 364 \text{ m} \end{aligned}$$

Maximum cable length L between the Central unit and the Infrared transmitter/receiver unit is calculated by the following equation:

$$\begin{aligned} L &= L1 + 50 \text{ m} \\ &= 364 \text{ m} + 50 \text{ m} \\ &= 414 \text{ m} \end{aligned}$$

Similarly calculated for other types of coaxial cables, the maximum cable length between the Central unit and the Infrared transmitter/receiver unit is found in the following table.

RG-59/U	348 m
RG-6/U	414 m
RG-11/U	542 m

2) Finding the maximum cable length using voltage drop

The current flowing from the Distributor into each coaxial cable connected to the TS-905 Infrared transmitter/receiver unit is 0.1 A, since the number of Infrared transmitter/receiver units connected to each coaxial cable is 1.

Assuming that RG-59/U coaxial cable is used, the voltage drop between the Distributor and the Infrared transmitter/receiver unit is calculated by the following equation:

$$\begin{aligned}\text{Voltage drop} &= 16.82 \Omega \times (50 \text{ m} / 100 \text{ m}) \times 0.1 \text{ A} \\ &= 0.841 \text{ V}\end{aligned}$$

A remaining voltage of 4.159 V (5 V – 0.841 V) is the maximum allowable voltage drop between the Central unit and the Distributor. The current that flows between the two is 0.4 A.

When RG-6/U coaxial cable is used between the Central unit and the Distributor, the cable length L1 between the two is,

$$\begin{aligned}L1 &= \{ (\text{Voltage drop 1} / \text{Current 1}) / \text{Coaxial cable loop resistance 1 per 100 m} \} \\ &= \{ (4.159 \text{ V} / 0.4 \text{ A}) / 12.82 \Omega \} \times 100 \text{ m} \\ &= 81 \text{ m}\end{aligned}$$

Maximum cable length L between the Central unit and the Infrared transmitter/receiver unit is calculated by the following equation:

$$\begin{aligned}L &= L1 + 50 \text{ m} \\ &= 81 \text{ m} + 50 \text{ m} \\ &= 131 \text{ m}\end{aligned}$$

Similarly calculated for other types of coaxial cables, the maximum cable length between the Central unit and the Infrared transmitter/receiver unit is found in the following table.

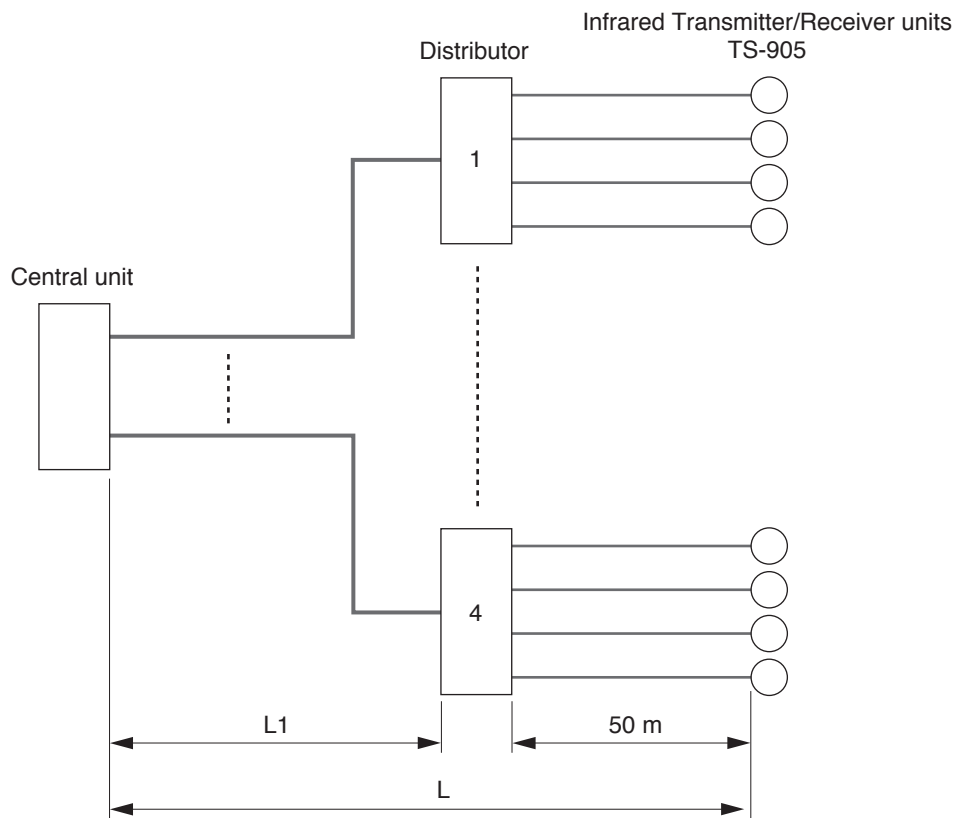
RG-59/U	111 m
RG-6/U	131 m
RG-11/U	483 m

The table below shows the required maximum cable length for the example 2, the shorter length of the calculation results (1) and (2) above.

RG-59/U	111 m
RG-6/U	131 m
RG-11/U	483 m

18.2.3. Example 3: When installing each 4 TS-905 infrared transmitter/receiver units using 4 coaxial cables reaching from the central unit (four 4-branch distributors connected):

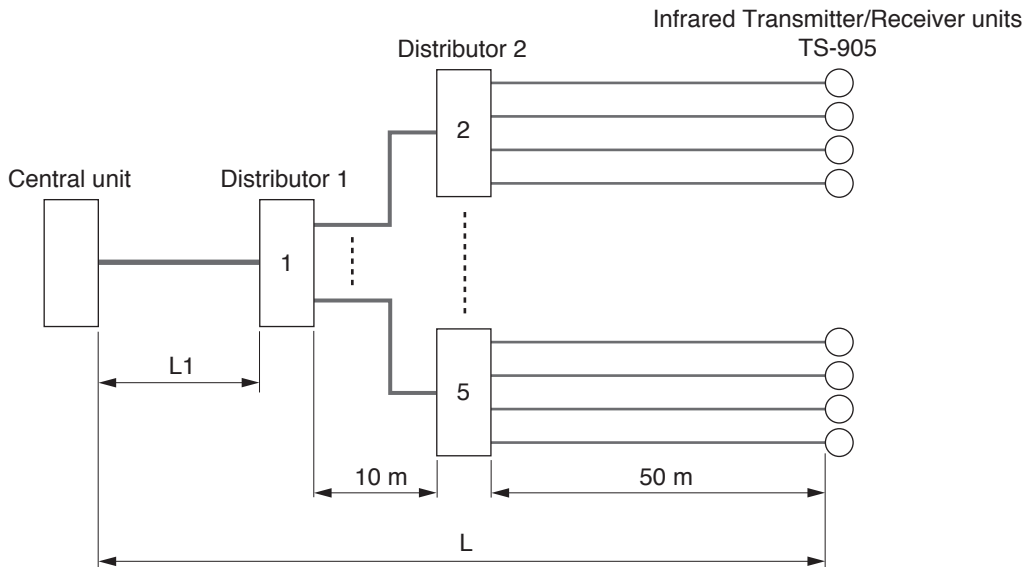
Condition: Cable length between the Distributor and the TS-905 Infrared transmitter/receiver unit is assumed to be 50 meters.



The equation and maximum cable length in this example are the same as those in Example 2 in the previous section on p. 57.

18.2.4. Example 4: When installing 16 TS-905 infrared transmitter/receiver units using 1 coaxial cable reaching from the central unit (five 4-branch distributors connected):

Condition: Length between the Distributor 2 and the TS-905 Infrared transmitter/receiver unit is assumed to be 50 meters, and the length between Distributor 1 and Distributor 2 10 meters.



1) Finding the maximum length using maximum allowable cable losses

Assuming that RG-59/U coaxial cable is used, the cable loss between the Distributor 2 and the Infrared transmitter/receiver unit is calculated by the following equation:

$$\text{Cable loss} = 3.3 \text{ dB} \times (50 \text{ m} / 100 \text{ m}) = 1.65 \text{ dB}$$

Assuming that RG-6/U coaxial cable is used, the cable loss between the Distributor 1 and Distributor 2 is calculated by the following equation:

$$\text{Cable loss} = 2.7 \text{ dB} \times (10 \text{ m} / 100 \text{ m}) = 0.27 \text{ dB}$$

Because of the 2 serially-connected 4-branch distributors, their loss is 17 dB (8.5 dB + 8.5 dB), which is added to the above cable loss, causing a total loss of 18.92 dB (1.65 dB + 0.27 dB + 17 dB). Therefore, the maximum allowable cable loss between the Central unit and the Distributor 1 is calculated to be 1.08 dB (20 dB – 18.92 dB).

- Assuming that RG-11/U coaxial cable is used, L_1 between the Central unit and the Distributor 1 is calculated by the following equation:

$$\begin{aligned} L_1 &= (\text{Coaxial cable loss} / \text{its cable loss per } 100 \text{ m}) \\ &= (1.08 \text{ dB} / 2 \text{ dB}) \times 100 \text{ m} \\ &= 54 \text{ m} \end{aligned}$$

$$\begin{aligned} \text{Maximum cable length } L \text{ (Length between the Central unit and the Infrared transmitter/receiver unit)} \\ &= 54 \text{ m} + 10 \text{ m} + 50 \text{ m} = 114 \text{ m} \end{aligned}$$

- Assuming that RG-6/U coaxial cable is used, L_1 between the Central unit and the Distributor 1 is calculated by the following equation:

$$\begin{aligned} L_1 &= (\text{Coaxial cable loss} / \text{its cable loss per } 100 \text{ m}) \\ &= (1.08 \text{ dB} / 2.7 \text{ dB}) \times 100 \text{ m} \\ &= 40 \text{ m} \end{aligned}$$

$$\begin{aligned} \text{Maximum cable length } L \text{ (Length between the Central unit and the Infrared transmitter/receiver unit)} \\ &= 40 \text{ m} + 10 \text{ m} + 50 \text{ m} = 100 \text{ m} \end{aligned}$$

Similarly calculated for other types of coaxial cables, the maximum cable length between the Central unit and the Infrared transmitter/receiver unit is found in the table.

RG-59/U	92 m
RG-6/U	100 m
RG-11/U	114 m

2) Finding the maximum cable length using voltage drop

The current flowing from the Distributor 2 into each coaxial cable connected to the TS-905 Infrared transmitter/receiver unit is 0.1 A, since the number of Infrared transmitter/receiver units connected to each coaxial cable is 1.

Assuming that RG-59/U coaxial cable is used, the voltage drop between the Distributor 2 and the Infrared transmitter/receiver unit is calculated by the following equation:

$$\begin{aligned} \text{Voltage drop} &= 16.82 \, \Omega \times (50 \, \text{m} / 100 \, \text{m}) \times 0.1 \, \text{A} \\ &= 0.841 \, \text{V} \end{aligned}$$

When RG-6/U type coaxial cable is used, since the current flowing into each coaxial cable between Distributor 1 and Distributor 2 is 0.4 A, the voltage drop between the two is calculated by the following equation:

$$\begin{aligned} \text{Voltage drop 2} &= 12.82 \, \Omega \times (10 \, \text{m} / 100 \, \text{m}) \times 0.4 \, \text{A} \\ &= 0.513 \, \text{V} \end{aligned}$$

$$\text{Voltage drop 1} + \text{Voltage drop 2} = 1.354 \, \text{V}$$

A remaining voltage of 3.646 V (5 V – 1.354 V) is the maximum allowable voltage drop between the Central unit and the Distributor 1. The current that flows between the two is 1.6 A.

- Assuming that RG-11/U coaxial cable is used, L1 between the Central unit and the Distributor 1 is calculated by the following equation:

$$\begin{aligned} L1 &= \{ (\text{Voltage drop 1} / \text{Current 1}) / \text{Coaxial cable loop resistance 1 per 100 m} \} \\ &= \{ (3.646 \, \text{V} / 1.6 \, \text{A}) / 2.4 \, \Omega \} \times 100 \, \text{m} \\ &= 94 \, \text{m} \end{aligned}$$

$$\begin{aligned} \text{Maxim cable length L (Length between the Central unit and the Infrared transmitter/receiver unit)} \\ &= 94 \, \text{m} + 10 \, \text{m} + 50 \, \text{m} = 154 \, \text{m} \end{aligned}$$

- Assuming that RG-6/U coaxial cable is used, L1 between the Central unit and the Distributor 1 is calculated by the following equation:

$$\begin{aligned} L1 &= \{ (\text{Voltage drop 1} / \text{Current 1}) / \text{Coaxial cable loop resistance 1 per 100 m} \} \\ &= \{ (3.646 \, \text{V} / 1.6 \, \text{A}) / 12.82 \, \Omega \} \times 100 \, \text{m} \\ &= 17 \, \text{m} \end{aligned}$$

$$\begin{aligned} \text{Maxim cable length L (Length between the Central unit and the Infrared transmitter/receiver unit)} \\ &= 17 \, \text{m} + 10 \, \text{m} + 50 \, \text{m} = 77 \, \text{m} \end{aligned}$$

Similarly calculated for other types of coaxial cables, the maximum cable length between the Central unit and the Infrared transmitter/receiver unit is found in the following table.

RG-59/U	73 m
RG-6/U	77 m
RG-11/U	154 m

The table below shows the required maximum cable length for the example 4, the shorter length of the calculation results (1) and (2) above.

RG-59/U	73 m
RG-6/U	77 m
RG-11/U	114 m

19. SPECIFICATIONS

19.1. Central Unit TS-820RC

Power Source	100 – 240 V AC, 50/60 Hz (use of the supplied AC adapter)
Power Consumption	72 W
Current Consumption	Max. 3 A DC (when 24 V DC is supplied from the supplied AC adapter)
Current Frequency	Reception: Audio channel 1: 7.35 MHz Audio channel 2: 8.10 MHz Audio channel 3: 8.55 MHz Audio channel 4: 9.15 MHz Control channel: 6.45 MHz Transmission: Audio channel: 1.95 MHz
Input	MIC: –60 dB* ¹ , 600 Ω, unbalanced, ø6.3 mm phone jack (2P) AUX: –20 dB* ¹ , 10 kΩ, unbalanced, ø6.3 mm phone jack (2P)
Output	LINE: –10 dB* ¹ , 10 kΩ, unbalanced, ø6.3 mm phone jack (2P) REC: –10 dB* ¹ , 10 kΩ, unbalanced, RCA pin jack HEADPHONES: ø3.5 mm mini jack (3P: monaural)
Equalizer Input/Output	Input: –20 dB* ¹ , 10 kΩ, unbalanced, RCA pin jack Output: –20 dB* ¹ , 10 kΩ, unbalanced, RCA pin jack
Number of Connectable Chairman/Delegate Units	64 units
Number of Connectable Infrared Transmitter/Receiver Units	Up to 4 units (with the use of distributor, up to 16 units connectable when they are all TS-905, and up to 12 units when they are all TS-907, or TS-905 and TS-907 are used in combination)
Infrared Transmitter/Receiver I/O Terminal	BNC jack
External Control Connection Terminal	D-sub connector (9P, male)/USB-B selectable
LED Indicator	Audio signal receiving indicators 1 – 4 CH, Data signal receiving indicator, External control priority indicator, External control communication indicator, Battery indicator (flashes when a Chairman/Delegate unit's battery nears complete discharge), Recording status indicator, Format in-progress indicator, Access indicator, Internal memory status indicator, USB memory status indicator, Remaining internal memory capacity warning indicator, Remaining USB memory capacity warning indicator, Short-circuit indicator
Record Switch	Recording start button, Recording stop button, Format button
Recording Ports	USB-A (for USB memory devices) and USB Mini-B (for PCs)
Recording Function	Recordings can be made to a USB memory device* ² or the internal memory. Recording format: MP3 (MPEG-1 Audio Layer-3), monaural Sampling frequency: 32 kHz, Bit rate: 128 kbps
Function Switch	Number of open microphones setting switch: 1/2/3/4 Mic-off setting switch: TIME OUT ON/OFF Speech priority selector switch: FIRST (First-in-first-out priority), LATEST (Last-in-first-out priority), FIRST:FIXED NEXT:LATEST (Priority fixed for the first unit, and last-in-first-out priority for all other subsequent units.) FBS switch: AUTO/OFF/EXT
Operating Temperature	0 to 40 °C (32 to 104 °F)
Operating Humidity	90%RH or less (no condensation)
Finish	Panel: Surface-treated steel plate, black, 30% glossy, paint
Dimensions	361 (w) x 122.6 (h) x 184.2 (d) mm (14.21" x 4.83" x 7.25")
Weight	2.8 kg (6.17 lb)

*¹ 0 dB = 1 V

*² For usable USB memory devices, see p. 44.

Note: The design and specifications are subject to change without notice for improvement.

• **Accessory**

AC adapter (DC cord: 1.8 m or 5.91 ft, Detachable AC cord: 2 m or 6.56 ft) 1

19.2. Central Unit TS-820

Power Source	100 – 240 V AC, 50/60 Hz (use of the supplied AC adapter)
Power Consumption	72 W
Current Consumption	Max. 3 A DC (when 24 V DC is supplied from the supplied AC adapter)
Current Frequency	Reception: Audio channel 1: 7.35 MHz Audio channel 2: 8.10 MHz Audio channel 3: 8.55 MHz Audio channel 4: 9.15 MHz Control channel: 6.45 MHz Transmission: Audio channel: 1.95 MHz
Input	MIC: –60 dB*, 600 Ω, unbalanced, ø6.3 mm phone jack (2P) AUX: –20 dB*, 10 kΩ, unbalanced, ø6.3 mm phone jack (2P)
Output	LINE: –10 dB*, 10 kΩ, unbalanced, ø6.3 mm phone jack (2P) REC: –10 dB*, 10 kΩ, unbalanced, RCA pin jack HEADPHONES: ø3.5 mm mini jack (3P: monaural)
Equalizer Input/Output	Input: –20 dB*, 10 kΩ, unbalanced, RCA pin jack Output: –20 dB*, 10 kΩ, unbalanced, RCA pin jack
Number of Connectable Chairman/Delegate Units	64 units
Number of Connectable Infrared Transmitter/Receiver Units	Up to 4 units (with the use of distributor, up to 16 units connectable when they are all TS-905, and up to 12 units when they are all TS-907, or TS-905 and TS-907 are used in combination)
Infrared Transmitter/Receiver I/O Terminal	BNC jack
External Control Connection Terminal	D-sub connector (9P, male)/USB-B selectable
LED Indicator	Audio signal receiving indicators 1 – 4 CH, Data signal receiving indicator, External control priority indicator, External control communication indicator, Battery indicator (flashes when a Chairman/Delegate unit's battery nears complete discharge), Short-circuit indicator
Function Switch	Number of open microphones setting switch: 1/2/3/4 Mic-off setting switch: TIME OUT ON/OFF Speech priority selector switch: FIRST (First-in-first-out priority), LATEST (Last-in-first-out priority), FIRST:FIXED NEXT:LATEST (Priority fixed for the first unit, and last-in-first-out priority for all other subsequent units.) FBS switch: AUTO/OFF/EXT
Operating Temperature	0 to 40 °C (32 to 104 °F)
Operating Humidity	90%RH or less (no condensation)
Finish	Panel: Surface-treated steel plate, black, 30% glossy, paint
Dimensions	361 (w) x 122.6 (h) x 184.2 (d) mm (14.21" x 4.83" x 7.25")
Weight	2.7 kg (5.95 lb)

* 0 dB = 1 V

Note: The design and specifications are subject to change without notice for improvement.

• **Accessory**

AC adapter (DC cord: 1.8 m or 5.91 ft, Detachable AC cord: 2 m or 6.56 ft) 1

19.3. Infrared Chairman Unit TS-821, Infrared Delegate Unit TS-822

Model No.	TS-821	TS-822
Power Source	7.2 V DC (supplied from optional lithium-ion battery), 9 V DC (supplied from optional AC adapter)	
Current Consumption	Max. 390 mA	
Infrared Emitter/Detector	Wavelength: 870 nm (AM: Brightness modulation)	
	Modulation Method: Frequency modulation	
	Carrier Frequency: Transmission: Audio channel 1: 7.35 MHz Audio channel 2: 8.10 MHz Audio channel 3: 8.55 MHz Audio channel 4: 9.15 MHz Control channel: 6.45 MHz Reception: Audio channel: 1.95 MHz	
	Covering Range: 7 m or 22.97 ft (radius)	
Input	Microphone terminal: XLR-4-31 type	
Output	Monitor speaker: 8 Ω, 0.2 W Headphones: ø3.5 mm mini jack (3P: monaural) x 2	
LED Indicator	Speech indicator, Power indicator	
Function	Monitor volume control Headphone volume control Priority speech function	Monitor volume control Headphone volume control
Battery Life	Approx. 10 hours	
Operating Temperature	0 to 40 °C (32 to 104 °F)	
Operating Humidity	90%RH or less (no condensation)	
Finish	Case: PC resin, black Speaker net: black, mat finish, paint	
Dimensions	205.7 (w) x 70.3 (h) x 164.2 (d) mm (8.1" x 2.77" x 6.46")	
Weight	525 g (1.16 lb)	

Note: The design and specifications are subject to change without notice for improvement.

19.4. Microphone (standard) TS-923, Microphone (long) TS-924

Model No.	TS-923	TS-924
Type	Electret condenser microphone	
Directivity	Unidirectional	
Rated Impedance	1.4 kΩ	
Rated Sensitivity	-37 dB (1 kHz, 0 dB = 1 V/Pa)	
LED Indicator	Speech indicator (ring type), red	
Frequency Response	100 Hz – 13 kHz	
Output Connector	Combined type of XLR-4-32	
Flexible Part	2 parts	
Operating Temperature	0 to 40 °C (32 to 104 °F)	
Operating Humidity	90%RH or less (no condensation)	
Finish	Body: Aluminum, black, semi-glossy, paint Shaft: Copper alloy, black, semi-glossy, paint	
Length	470 mm (1.54 ft)	620 mm (2.03 ft)
Weight	130 g (0.29 lb)	150 g (0.33 lb)
Applicable Unit (Option)	Chairman unit: TS-821, TS-921, TS-811, TS-911 Delegate unit: TS-822, TS-922, TS-812, TS-912	

Note: The design and specifications are subject to change without notice for improvement.

19.5. Infrared Transmitter/Receiver TS-905, TS-907

Model No.	TS-905	TS-907	
Power Source	24 V DC (supplied from the optional TS-820RC/820)		
Current Consumption	Max. 150 mA	Max. 180 mA	
Infrared Emitter/Detector	Wavelength: 870 nm (AM: Brightness modulation)		
	Modulation Method: Frequency modulation		
	Carrier Frequency		
	Transmission: Audio channel 1: 7.35 MHz Audio channel 2: 8.10 MHz Audio channel 3: 8.55 MHz Audio channel 4: 9.15 MHz Control channel: 6.45 MHz		
	Reception: Base language channel: 1.95 MHz Translation language channel: 2.25 MHz		
	Acceptance Angle	Vertical: 150°(75°+75°), Horizontal: 360°	Vertical: 90°(45°+45°), Horizontal: 360°
	Emission Angle	Vertical: 150°(75°+75°), Horizontal: 360°	Vertical: 90°(45°+45°), Horizontal: 360°
Communication Area	Approx. 6 – 7 m (19.69 – 22.97 ft) in radius from the point underneath the unit (Ceiling height: 2.5 – 4.5 m or 8.2 – 14.76 ft)	Approx. 6 m (19.69 ft) in radius from the point underneath the unit (Ceiling height: 5 – 7 m or 16.4 – 22.97 ft)	
Connection Terminal	BNC jack		
LED Indicator	Power		
Operating Temperature	0 to 40 °C (32 to 104 °F)		
Operating Humidity	90%RH or less (no condensation)		
Finish	Dome: PC resin, visible light cut filter Base: ABS resin, black		
Dimensions	ø120 x 71.3 (h) mm (ø4.72" x 2.81")		
Weight	230 g or 0.51 lb (unit only)		

Note: The design and specifications are subject to change without notice for improvement.

• Accessories

Mounting bracket	1
Stand mounting bracket	1
Screw M3 x 6	3
U5/16 – NS5/8 thread adapter (except for TS-905 CE version)	1

19.6. Lithium-Ion Battery BP-900A

Nominal Voltage	7.2 V DC
Nominal Capacity	2100 mAh
Operating Temperature	0 to 40 °C (32 to 104 °F)
Operating Humidity	90%RH or less (no condensation)
Dimensions	71.6 (w) x 20.5 (h) x 37.5 (d) mm (2.82" x 0.81" x 1.48")
Weight	95 g (0.21 lb)

Note: The design and specifications are subject to change without notice for improvement.

19.7. Battery Charger BC-900

Power Source	100 – 240 V AC, 50/60 Hz (use of the supplied AC adapter)
Current Consumption	Max. 5 A DC
Charging Time	Approx. 5 hours
Charging Capacity	8 BP-900A batteries (option)
LED Indicator	Charging status (Green: Full charge, Red: On charge), Power indicator
Operating Temperature	0 to 40 °C (32 to 104 °F)
Operating Humidity	90%RH or less (no condensation)
Finish	Case: Steel, black, paint Battery receptacles: PPO resin, black
Dimensions	240 (w) x 70 (h) x 115 (d) mm (9.45" x 2.76" x 4.53")
Weight	Unit: 1.2 kg (2.65 lb), AC adapter: 520 g (1.15 lb)

Note: The design and specifications are subject to change without notice for improvement.

• Accessory

AC adapter (DC cord: 1.5 m or 4.92 ft, Detachable AC cord: 2 m or 6.56 ft) 1

19.8. AC Adapter AD-0910

Power Source	100 – 240 V AC, 50/60 Hz
Output	9 V DC, 1 A
Ripple Voltage	100 mV (p-p)
Current Consumption	400 mA AC, Input 100 V
Cord Length	1.8 m (5.91 ft)
Plug	RC6705, center "+"
Operating Temperature	0 to 40 °C (32 to 104 °F)
Operating Humidity	90%RH or less (no condensation)
Finish	Case: PC/ABS alloy, black
Dimensions	47.4 (w) x 33 (h) x 86.5 (d) mm or 1.87" x 1.3" x 3.41" (excluding a power cord)
Weight	190 g (0.42 lb)

Note: The design and specifications are subject to change without notice for improvement.

• Accessory

AC power cord (2 m or 6.56 ft) 1

19.9. Distributor YW-1022 (2-branch distributor), YW-1024 (4-branch distributor)

Model No.	YW-1022	YW-1024
Frequency Range	1.6 – 1000 MHz (excluding 50 – 70 MHz)	
Distribution Loss	4.5 dB ±3 dB (between the Mixing and each Distribution terminals)	8.5 dB ±3 dB (between the Mixing and each Distribution terminals)
Input/Output Impedance	75 Ω	
Coaxial Connector	Mixing terminal: BNC jack, power passing type (30 V DC or less, 2 A or less) Distribution 1 and 2 terminals: BNC jack, power passing type (30 V DC or less, 1 A or less)	Mixing terminal: BNC jack, power passing type (30 V DC or less, 2 A or less) Distribution 1 – 4 terminals: BNC jack, power passing type (30 V DC or less, 1 A or less)
Operating Temperature	–10 to +50 °C (14 to 122 °F)	
Operating Humidity	90%RH or less (no condensation)	
Finish	ABS resin, gray	
Dimensions	75 (w) x 122 (h) x 34 (d) mm (2.95" x 4.8" x 1.34")	
Weight	105 g (0.23 lb)	120 g (0.26 lb)

Note: The design and specifications are subject to change without notice for improvement.

• Accessories

Wood screw 4.1 x 25 (for fixing the unit) ... 2

19.10. Rack Mounting Bracket MB-TS920

Finish	Surface-treated steel plate, black, paint, 30% glossy
Dimensions	65.5 (w) x 177 (h) x 61 (d) mm (2.58" x 6.97" x 2.4")
Weight	680 g (1.5 lb)

Note: The design and specifications are subject to change without notice for improvement.

• Accessories

Rack mounting screw 5 x 12 4
 Fiber washer (for M5) 4

Traceability Information for Europe

Manufacturer:
TOA Corporation
7-2-1, Minatojima-Nakamachi, Chuo-ku, Kobe, Hyogo,
Japan

Authorized representative:
TOA Electronics Europe GmbH
Suederstrasse 282, 20537 Hamburg,
Germany

URL: <https://www.toa.jp/>