

## PE-604BU

### PENDANT SPEAKER 60W



The PE-604BU is a pendant speaker designed for the installations suspended from a ceiling. A directly-attached 5 m (16.4 ft) hanging wire allows the speaker to be suspended from high ceilings. The PE-604BU is driven on both high-impedance (100 V, 70 V and 25 V) and low-impedance (8  $\Omega$ ) lines. The input power (impedance) can be easily changed at the upper side of the speaker. The PE-604BU is certified to UL 1480 UUMW and ULC-S541 standards. Using the supplied GRIPPLE(R) hangers will facilitate the speaker mounting height adjustment.

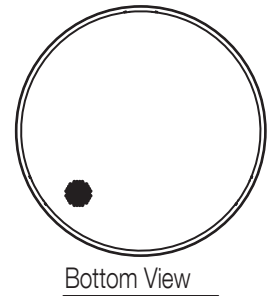
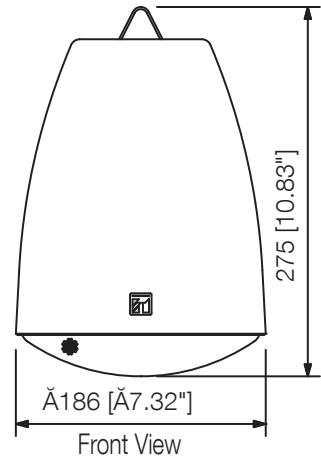
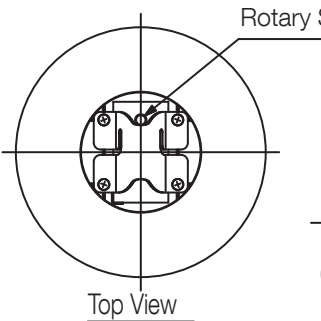
### Key features

- Stylish design inspired by modern lighting fixtures
- Ideally suited for BGM & announcements
- 8  $\Omega$  and 25 V/70 V/100 V operation
- Input impedance is easily changed with a rotary switch on the top of the speaker
- With speaker cable, GRIPPLE® hanging wire & safety wire pre-attached, for faster, easier and more secure installation
- UL certified: UL Code: UL1480 UUMW, ULC-S541
- Bass-reflex type

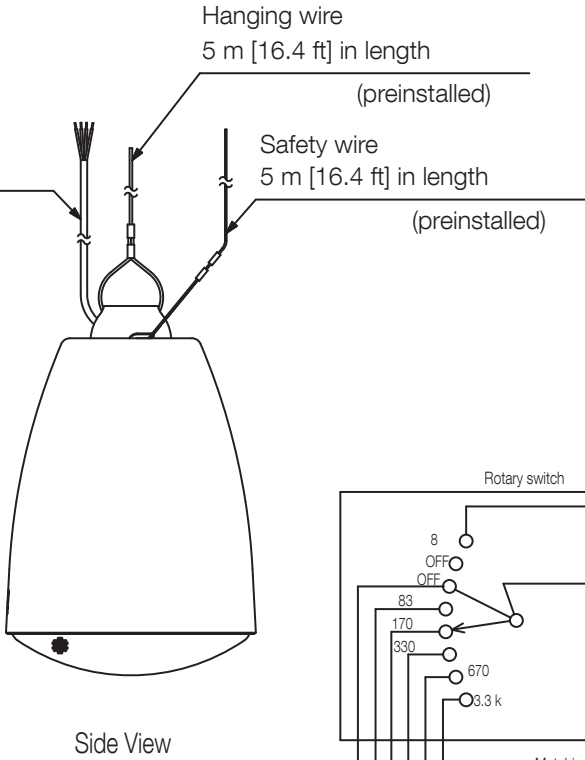
## Specifications

Enclosure	Bass-reflex type
Rated Input	60 W (100 V, 70 V line, 8 Ω), 7.5 W (25 V line)
Rated Impedance	100 V line: 170 Ω (60 W), 330 Ω (30 W), 670 Ω (15 W), 3.3 kΩ (3 W) 70 V line: 83 Ω (60 W), 170 Ω (30 W), 330 Ω (15 W), 670 Ω (7.5 W), 3.3 kΩ (1.5 W) 25 V line: 83 Ω (7.5 W), 170 Ω (3.7 W), 330 Ω (1.9 W), 670 Ω (0.9 W), 3.3 kΩ (0.2 W) Low impedance: 8 Ω
Sensitivity	90 dB (1 W, 1 m) (330 Hz - 3.3 kHz, pink noise)
Frequency Response	110 Hz - 20 kHz (-10 dB)
Speaker Component	12 cm (5) cone-type + balanced dome-tweeter (coaxial)
Compliance/Certifications	UL 1480 UUMW, ULC-S541
Operating Temperature	-10 # to +50 # (14 # to 122 #)
Finish	Enclosure: ABS resin, black, Grille: Surface-treated steel plate mesh, black, paint
Dimensions	#186 x 275 (H) mm (#7.32 x 10.83") (unit only)
Weight	2.9 kg (6.39 lb) (unit only)
Included Accessories	GRIPPLE No.1 ...1, GRIPPLE No.2 ...1, Release key (for GRIPPLE) ...1, Safety wire (#1.5 mm (#0.06) ...1 # GRIPPLE No.1 and No.2 are hangers for suspending the speaker.

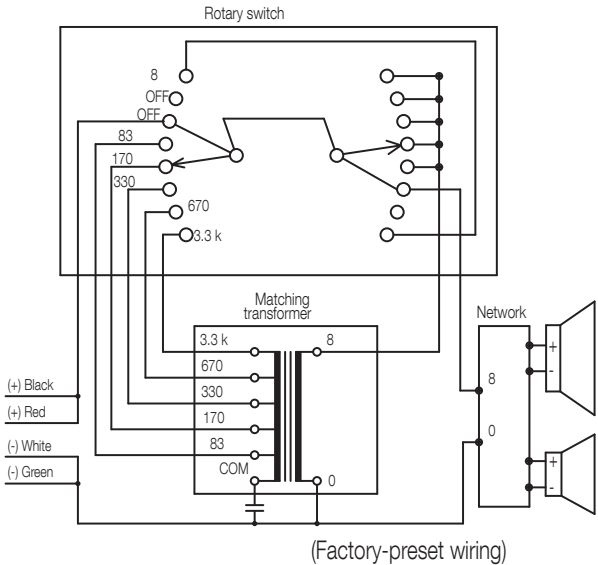
# Dimensions



UNIT:mm SCALE:1/6



Wiring Diagram



\* Never connect the 83 terminal to the 100 V line.  
 \* Never connect the 8 terminal to the 100 V or 70 V or 25 V line.