

IR-702T US

INFRARED WIRELESS TUNER



The IR-702T is a 2-channel infrared wireless tuner employing a fixed frequency system. This tuner is combined with an infrared wireless microphone and an infrared wireless receiver to make up the infrared wireless microphone system. The infrared microphone system eliminates problems with interference or eavesdropping, allowing simultaneous use in adjacent conference rooms or school classrooms.

Key features

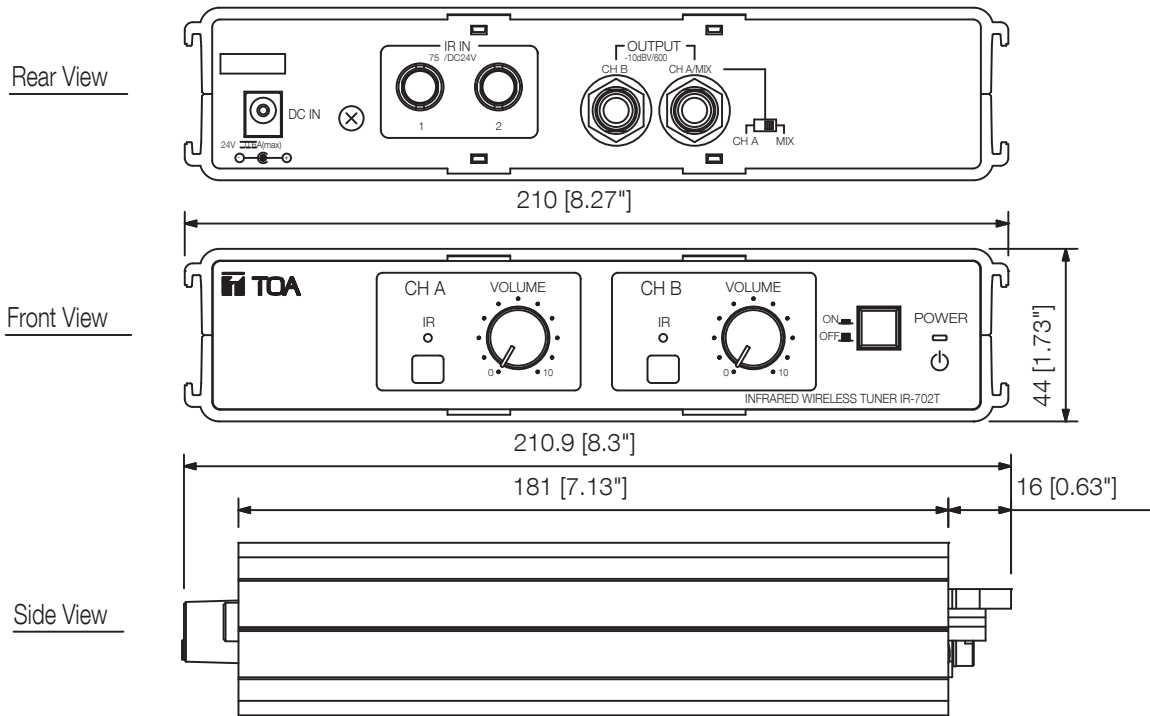
- Built-in 2-channel fixed-frequency tuner
- Up to 4 infrared light receivers per unit
- Equipped with signal reception light and knob for microphone volume control
- Two line outputs, one with a MIX output switch allowing output of mixed voice from channels A and B

Specifications

(*1) 0 dB = 1 V

Power Source	AC mains, 50/60 Hz (use of the supplied AC adapter)
Power Consumption	15 W or less
Receiving Frequency	Channel A: 3.100 MHz Channel B: 3.350 MHz
Receiver Sensitivity	Signal to Noise Ratio: 50 dB or more (40 dB μ V input, 1 kHz modulation, \pm 4.8 kHz deviation)
Signal to Noise Ratio	61 dB or more (60 dB μ V input, \pm 4.8 kHz deviation, A-weighted)
Tone Squelch Frequency	32.768 kHz
Infrared Receiver Input	75 Ω , BNC jack x 2 (Infrared wireless receiver's power source: 24 V DC, 220 mA max. in total of 2 terminals)
Number of Connectable Infrared Receiver	4 (YW-1022/YW-1024) 16 (IR-700D, YW-1024 x 4)
Output	Channel A and B: -10 dB(*1) (\pm 4.8 kHz deviation, at volume level max.), 600 Ω , electrical balanced, 3 pole phone jack. Note: Channel A switchable to mixer output.
Audio Frequency Response	100 Hz - 12 kHz
Operating Temperature	-10 # to +50 # (14 # to 122 #)
Operating Humidity	30 % to 85 %RH (no condensation)
Finish	Case: ABS resin, black
Dimensions	210 (W) x 44 (H) x 210.9 (D) mm (8.27" x 1.73" x 8.3")
Weight	630 g (1.39 lb) (unit only)
Included Accessories	AC adapter (1.5 m (4.92 ft) x 1, AC Power cord (2 m (6.56 ft)(*2) ...1, Rubber foot ...4, Cord with a phone plug (1 m (3.28 ft) ...1, Color label (6 colors) ...1
Optional Accessories	Rack mounting bracket: MB-WT3, MB-WT4 (for mounting with the optional IR-700D together)

Dimensions



Version	CE	CE-AU	CE-GB	CN	US
AC plug					

UNIT:mm SCALE:1/2