

IR-310BC US

BATTERY CHARGER



The TOA IR-310BC is a dedicated battery charger for the IR-310M Infrared Wireless Microphone. It employs a quick charging system for a nickel metal hydride (NiMH) battery to be fully charged within 3 hours.

Key features

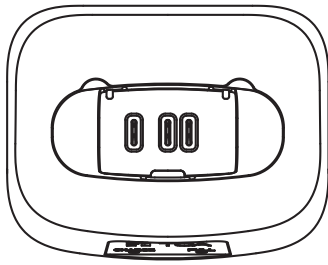
- Dedicated battery charger for IR-310M
- Anti-overcharging design

Specifications

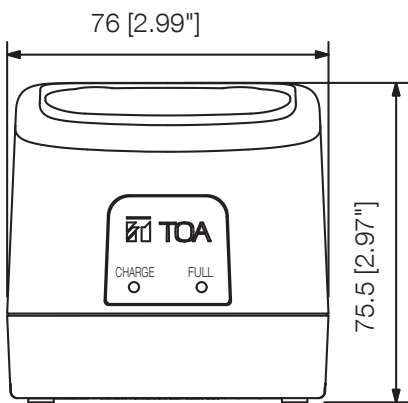
Power Source	AC mains, 50/60 Hz (use of the supplied AC adapter)
Current Consumption	Max. 2 A
Charging Time	Max. 3 h
Number of Units to be Charged Simultaneously	1 Piece
LED Indicator	Charging Status LED x 2
Operating Temperature	0 °C to +40 °C (32 °F to 104 °F)
Operating Humidity	90 %RH or less (no condensation)
Finish	Control section: PPE resin, White
Dimensions	76 (W) x 75.5 (H) x 60 (D) mm (2.99" x 2.97" x 2.36")
Weight	105 g (0.23 lb)
Included Accessories	AC adapter x 1, Power Cord x 1
Optional Accessories	Ni-MH battery: IR-210BT-2 (containing 2 pieces), IR-200BT-2 (containing 2 pieces)

Note that nickel metal hydride (Ni-MH) batteries other than the dedicated battery IR-210BT/IR-200BT cannot be charged.

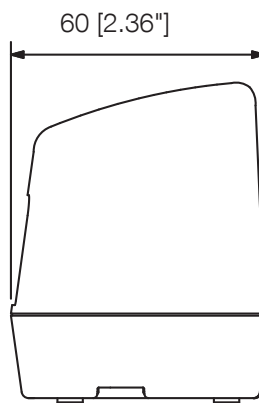
Dimensions



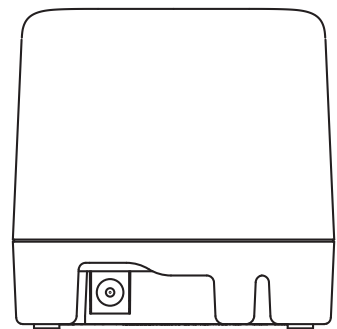
Top View



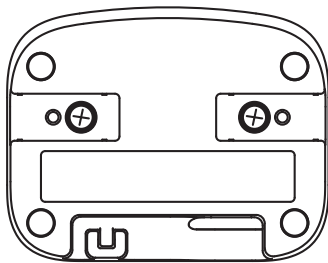
Front View



Side View



Rear View



Bottom View

Version	CE-GB	US
AC plug		

UNIT:mm

SCALE:1/2