

FB-120B

SUBWOOFER SYSTEM



The FB-120 is a compact, indoor-use subwoofer system employing a high-power 30 cm (12") woofer. It is designed for use in conjunction with TOA's HX-5 series or other full range speakers, and is particularly ideal for reproducing dynamic low-frequency sound for both permanent and temporary installations.

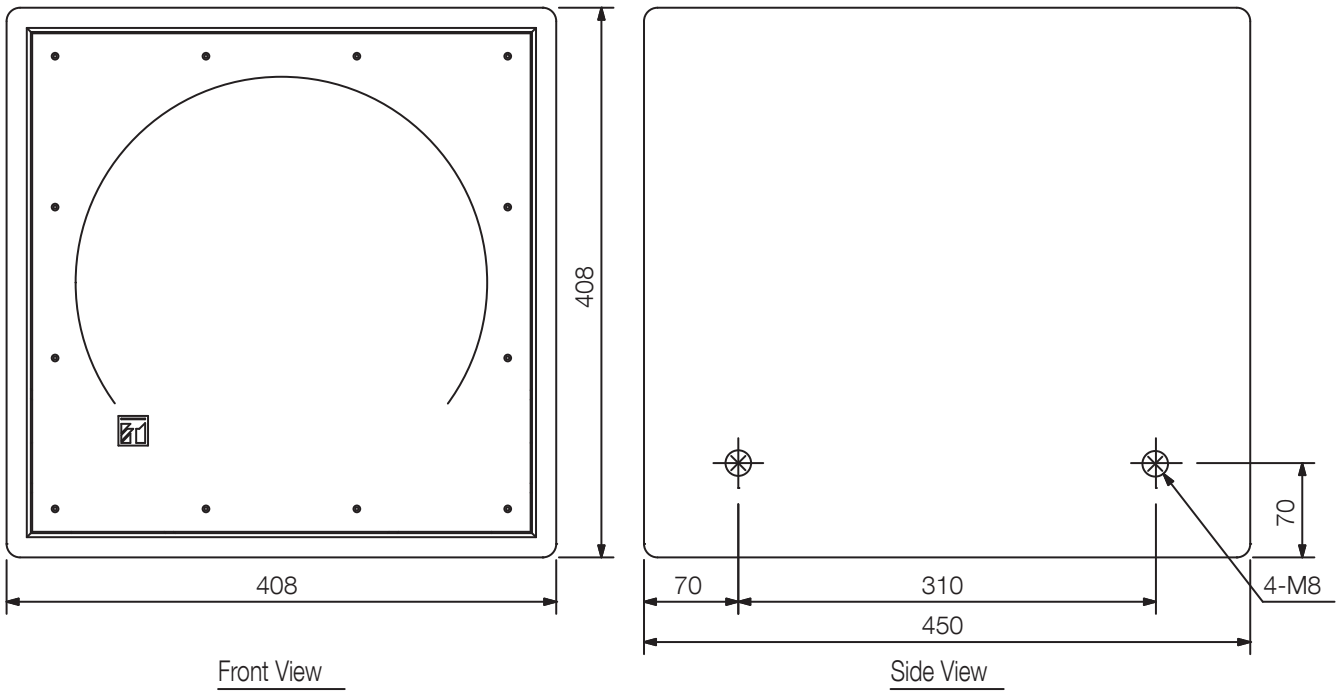
Key features

- Compact subwoofer
- 30 cm (12") woofer
- Ideal in conjunction with HX-5 speaker
- Extremely wide frequency range
- For rigging, floor-, wall-, corner- or ceiling-mount
- 600 W high-power subwoofer system
- Carry handle
- Speakon® connector
- Cascading of multiple units

Specifications

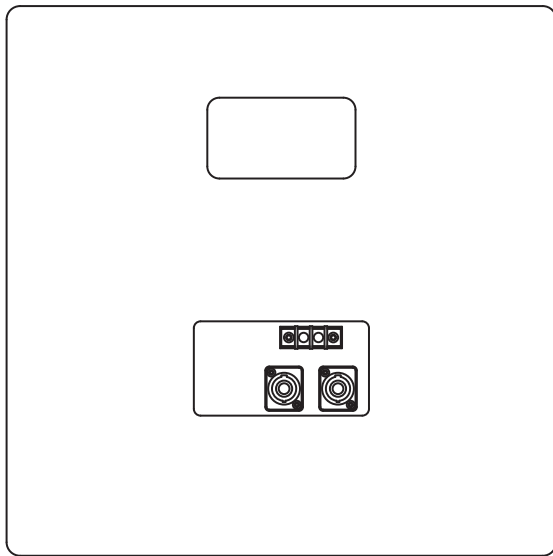
Power Handling	Continuous pink noise: 200 W Continuous program: 600 W
Impedance	8 Ω
Sensitivity	90 dB (1 W, 1 m) at installation in free sound field 96 dB (1 W, 1 m) at installation in 1/2 free sound field
Frequency Response	40 - 1.2 kHz (-10 dB)
Speaker Component	30 cm cone-type
Input Terminal	Speakon NL4MPXX x 2 and M4 screw terminal, distance between barriers: 11 mm
Finish	Enclosure: Plywood Punched net: Surface-treated steel plate, black, paint
Dimensions	408 (W) x 408 (H) x 450 (D) mm
Weight	15 kg
Optional Accessories	Speaker rigging frame: HY-PF1B

Dimensions



Front View

Side View



Rear View

UNIT:mm

SCALE:1/6

A&E specifications

The sub bass loudspeaker systems shall incorporate a single 30 cm(12") transducer. System frequency response shall vary no more than +/-3 dB from 40 Hz to 1.2 kHz measured on axis. The loudspeaker shall produce a Sound Pressure Level (SPL) of 90 dB on axis at 1 meter with a power input of 1 watt, and shall be capable of producing 600 watts of continuous power and have a nominal impedance of 8 Ohms. The loudspeaker enclosure shall be rectangular in shape and will be of a plywood construction with punch net steel perforated front grill. It shall be finished in black. Input connectors shall be Neutrik NL4 MP and two M4 terminal strips.

Power Handling Capacity: Continuous pink noise: 200 W, Continuous program: 600 W

Impedance: 8 Ω

Sensitivity: 90 dB (1 W, 1 m) at installation in free sound field 96 dB (1 W, 1 m) at installation in 1/2 free sound field

Frequency Response: 40 - 1.2 kHz (-10 dB)

Speaker Component: 30 cm (12") cone-type

Input Terminal: Speakon NL4MP \times 2 and M4 screw terminal, distance between barriers: 11 mm (0.43")

Finish Enclosure: Plywood

Punched net: Surface-treated steel plate, black, paint

Dimensions: 408 (W) \times 408 (H) \times 450 (D) mm (16.06" \times 16.06" \times 17.72")

Weight: 15 kg (37.48 lb.)

Optional rigging frame shall be available, model HY-PF1B, manufactured by TOA Corporation

Manufacturer TOA Corporation

Model FB-120B