

F-2000BT

SPEAKER SYSTEM



The F-2000 Series Speaker are compact two-way speaker systems designed for high efficiency, wide range, and high power input handling capability. These speaker systems can be installed in a manner ideal for the location and intended application.

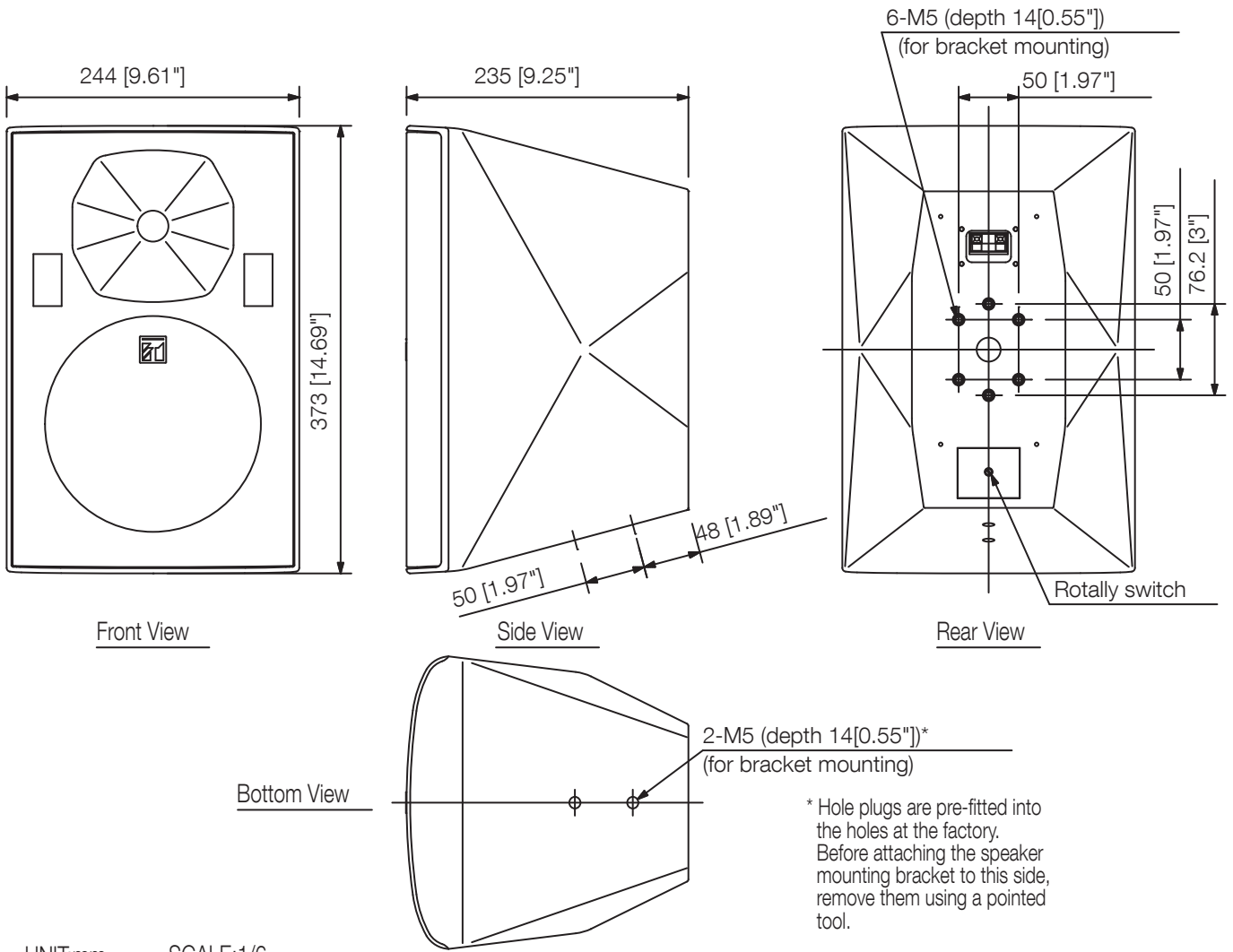
Key features

- Compact wide-dispersion speaker
- Up to 180 W continuous program (F-2000B / F-2000W)
- Dispersion angle of 110° x 100°
- Easily mountable 80° x 80° horn adapter for increased dispersion control included
- 2-way speaker with high quality 20 cm woofer and balanced dome tweeter
- Paintable
- Covered rear-mounted terminal block (WP version)

Specifications

Enclosure	Bass-reflex type
Rated Input	60 W (high impedance)
Power Handling	Continuos pink noise: 60 W (low impedance) Continuos program: 180 W (low impedance)
Rated Impedance	8 Ω 100 V line: 170 Ω (60 W), 330 Ω (30 W), 670 Ω (15 W), 3.3 k Ω (3 W) 70 V line: 83 Ω (60 W), 170 Ω (30 W), 330 Ω (15 W), 670 Ω (7.5 W), 3.3 k Ω (1.5 W)
Sensitivity	92 dB (1 W, 1 m) at installation in 1/2 free sound field 93 dB (1 W, 1 m) at installation in 1/2 free sound field (with horn adapter)
Frequency Response	65 Hz - 20 kHz, -10 dB at installation in 1/2 free sound field
Crossover Frequency	2.5 kHz
Directivity Angle	Horizontal: 110°, Vertical: 100° Horizontal: 80°, Vertical: 80° (with horn adapter)
Speaker Component	Low frequency: 20 cm (8) cone-type High frequency: 25 mm (1) dome tweeter
Input Terminal	Push-in terminal
Finish	Enclosure: HIPS, black Punched net: Surface-treated steel plate, black, paint Joint bracket, wall bracket: Steel plate, t2.0, black, paint Speaker bracket: Die-cast aluminum, black, paint
Dimensions	244 (W) x 373 (H) x 235 (D) mm (9.61 x 14.69" x 9.25")
Weight	7.4 kg (16.31 lb) (including the supplied brackets)
Included Accessories	Speaker bracket...1, Joint bracket...1, Wall bracket...1, Bracket fixing screw...1 set, Horn adapter...1, Horn adapter mounting screw...4
Optional Accessories	Ceiling mount bracket: HY-CM20B (used for the horizontal speaker mounting), Cluster bracket: HY-CL20B, Speaker stand: ST-16A

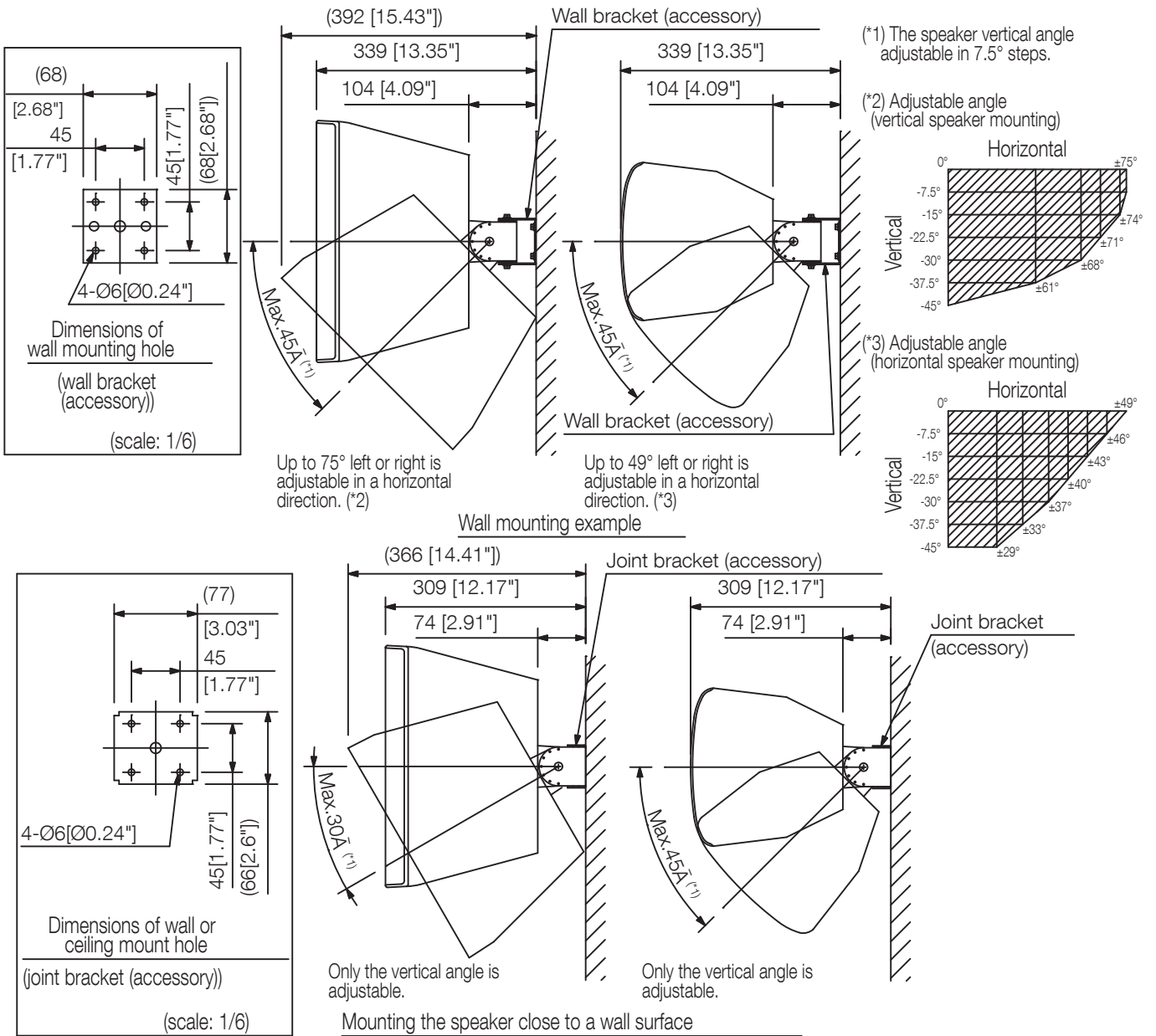
Dimensions



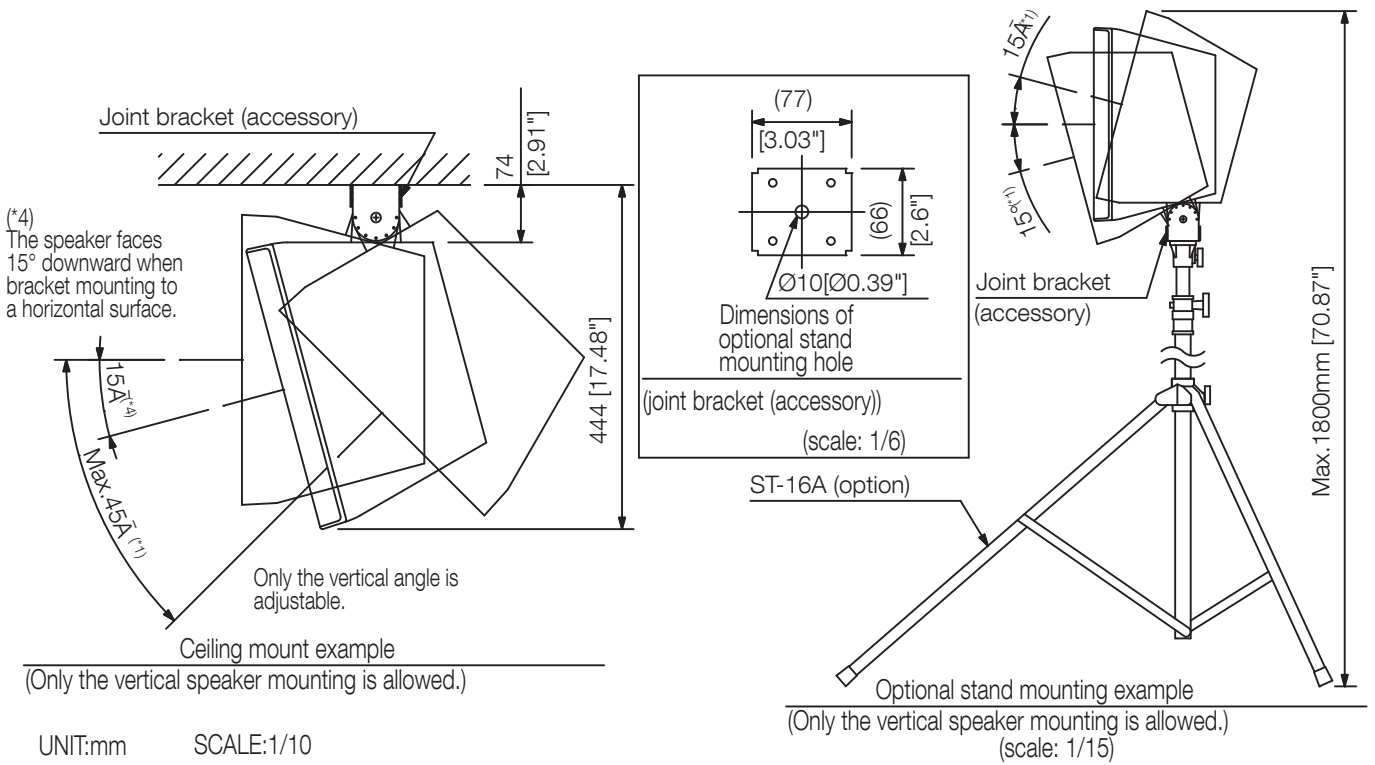
UNIT:mm

SCALE:1/6

Dimensions



Dimensions



A&E specifications

The speaker shall be a two-way bass reflex enclosure suitable for ceiling or wall mounting. The low frequency component shall be a 20 cm (8") cone-type woofer. The high frequency component shall be a 25 mm (1") dome tweeter. For clear, wide-area sound coverage, the speaker shall include 110° (H) x 100° (V) wide dispersion-angle high frequency horn, plus an easily added 80° (H) x 80° (V) dispersion angle horn adapter for tighter dispersion control.

The rated input shall be 60 W. The speaker shall include a transformer having multiple taps (3 W, 15 W, 30 W, 60 W at 100 V and 1.5 W, 7.5 W, 15 W, 30 W, 60 W at 70 V) adjustable via the rear of the enclosure. The sensitivity at a distance of 1m with 1 W input level applied shall be 92 dB and 93 dB using the horn adapter. The speaker shall have a frequency response of 65 – 20kHz.

The speaker enclosure shall be constructed of HIPS resin. The speaker shall be available in white or black, and also be repaintable.

The grille shall be a punched net, surface-treated steel plate. Brackets for speakerstand, wall and ceiling installation shall be included, and there shall be also optionally available brackets for more demanding installation venues.

The unit shall be compact and lightweight with dimensions of 244 x 373 x 235 mm (9.61" x 14.69" x 9.25") and a weight of 7.4 kg (16.31 lbs.).

The speaker shall be TOA model F-2000BT/F-2000WT.

The ceiling mount bracket shall be the HY-CM20B/HY-CM20W.

The cluster bracket shall be the HY-CL20B.

The subwoofer shall be the FB-100 or FB-120B/W.