

ER-2230W

30W SHOULDER MEGAPHONE,WHISTLE SIG.



The ER-2230W is a shoulder megaphone having facilities of EXT. mic input, an AUX input, a DC power input, a battery meter whistle sound. It can be mounted to the optional ST-16A speaker stand. The newly developed polyimide diaphragm is employed to ensure high sound quality.

Key features

- High power shoulder megaphone for extreme long distance messages
- Whistle signal
- Splash-proof cover included
- Microphone lock switch
- Auxiliary-input with volume control for tape or radio and earphone output
- Power plug cord (for 12 V battery) included

Specifications

(*1) 0 dB = 1 V

Anti-bacteria Treatment	Microphone
Power Source	Battery: R20P (D) x 10 (15 V DC) External Power: 12 V DC Battery
Rated Output	30 W
Maximum Output	45 W
Battery Life	Voice: Approx. 17 hours (JEITA (*2), Whistle: Approx. 90 min. (JEITA (*2)
Audible Range	Voice: Approx. 800 m (JEITA (*2), Whistle: Approx. 1000 m (JEITA (*2)
Microphone	0
Signal Sound	Whistle (1.6 to 2.4 kHz)
AUX Input Sensitivity	-10 dB (*1) (300 mV), 10 k Ω (#3.5 mini jack, stereo plug acceptable) , volume control
EXT. Mic Input	600 Ω , unbalanced, #6.3 phone jack, volume control
Diaphragm	Polyimide film (voice coil, bobbin)
Remaining Battery Indication	LED (also serves as a power indicator) Steady ON: Normal use, Flashing: Batteries need replacement
Operating Temperature	-10 °C to +40 °C
Finish	Horn ring: Vinyl chloride, gray Horn: Aluminum, light gray, paint Case top: Die-cast aluminum, gray, paint Strap: Nylon, black, Others: ABS resin, gray
Dimensions	#351 x 512 mm
Weight	3.6 kg (without batteries) , Microphone: 150 g
Included Accessories	#3.5 mini plug (AUX input)...1, External power supply cord (1 m)...1, Splash-proof cover...1 (*3)
Optional Accessories	Speaker stand: ST-16A, Microphone: DM series

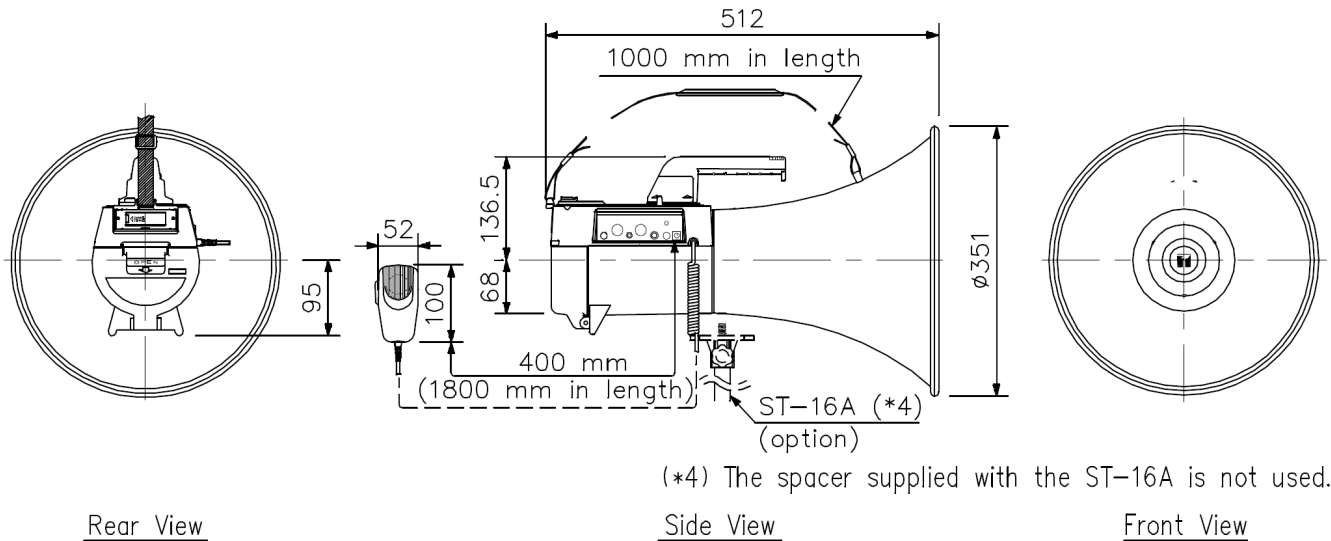
(*2)JEITA: Japan electronics and information technology industries association.

(*1) 0 dB = 1 V

Dimensions

<Note on the audible range and battery life>

1. The indications of the audible range and battery life are based on the JEITA Standard (*2).
2. Audible Range presumes that the megaphone employs new batteries and is used on a quiet street.
It varies depending on such conditions as battery consumption, ambient noise, wind direction and obstacles.
3. Battery Life assumes that megaphone is used for 30 minutes a day.



(*4) The spacer supplied with the ST-16A is not used.

UNIT:mm