

ER-1000A-BT

BLUETOOTH HANDS FREE MEGAPHONE



The ER-1000A-BT is a wearable, easy-to-operate, personal PA system attached to a waistband, with the capability of delivering both clear and powerful sound. The lightweight body of the main unit, features a slight curvature in its design, and fits perfectly on your waist to allow natural movement that minimizes unit disruption. This product is suited for various situations such as guided tours, sport classes, directing traffic and other security-and-safety-related applications, as well as attracting prospective customers at shows and storefronts.

Key features

- Highly intelligible sound
- Fit for prolonged usage
- Audio player connectable
- Easy to operate
- Useful pouch for carrying accessories
- Able to be set on both sides of body

Specifications

| | |
|----------------------|--|
| Power Source | Alkaline battery (LR6): 6 pieces (9 V DC) or 4 pieces(*1) (6 V DC) Rechargeable nickel metal hydride (NiMH) battery (HR15/51): 6 pieces (7.2 V DC) or 4 pieces(*1) (4.8 V DC) |
| Output | 6 W (rated) and 10 W (max) when 6 AA batteries (9 V DC) are used. 3 W (rated) and 4 W (max) when 4 AA batteries(*1) (6 V DC) are used. |
| Battery Life | Voice operation(*3): Approx. 8 hours (when 6 or 4 alkaline batteries are used) Approx. 7 hours (when 6 or 4 NiMH batteries are used) AUX stereo input operation (music reproduction)(*4): Approx. 9 hours (when 6 or 4 alkaline batteries are used) Approx. 9 hours (when 6 or 4 NiMH batteries are used)(*1) |
| Audible Range | (*2) Voice operation: Approx. 100m or 320ft (when 6 alkaline batteries or NiMH batteries are used) Approx. 80m or 260ft (when 4 alkaline batteries(*1) or NiMH batteries are used) |
| Headset Microphone | Ear-on type, electret condenser microphone, sensitivity: -47 dB (0 dB = 1 V/1 Pa, 1 kHz) |
| Input | MIC : -30 dB(*5), 3 kΩ, 3.5 mm (1/8") monaural mini-jack, phantom power supply. AUX*6 : -10 dB(*5), 2 kΩ, 3.5 mm (1/8") stereo mini-jack (supporting monaural applications(*7)) |
| Frequency Response | 300 Hz - 14 kHz (deviation: -26 dB) |
| Communication Method | Bluetooth Ver.4.2 |
| Output Power | Bluetooth Class 2 |
| Operating Range | 10 m (32.81 ft) |
| Protocol | A2DP |
| Codec | SBC |
| Belt Length | 55 - 120(*8) cm (1.8 - 3.94(*8) ft) |
| Finish | Front case: ABS resin, black Rear case: ABS resin, black Grille: Surface-treated steel plate, black, paint Belt: Elastic rubber, black |
| Dimensions | 133 (W) x 96 (H) x 222 (D) mm (5.24" x 3.78" x 8.74") (belt excluded) |
| Weight | Main PA unit (belt included, batteries excluded): 480 g (1.06 lb) Headset microphone: 50 g (0.11 lb) |
| Included Accessories | Headset microphone (with headband and wind screen) x 1, Belt (attached to the main PA unit) x 1, Battery spacer x 2 |

(*1) When the supplied battery spacers are used.

(*2) Transmission range is measured on a quiet street with Personal PA System loaded with fresh batteries.

Range varies depending on surrounding environmental conditions, such as battery consumption, ambient noise levels, wind direction and obstacles.
Reference standard: JEITA (Japan Electronics and Information Technology Industries Association) TT-4501D

(*3) Battery life during voice output usage represents the period of time when the Personal PA is continuously, used with the volume control set to a position that does not cause feedback.

Reference standard: JEITA (Japan Electronics and Information Technology Industries Association) TT-4501D

(*4) Battery life during AUX stereo input represents a value actually measures when music is continuously reproduced with a commercial audio player connected to the auxiliary (AUX) input terminal. It varies depending on the connected external equipment's volume output or the type of music source.

(*5) 0dB = 1V

(*6) Adjust the volume of the auxiliary (AUX) input at the connected external device.

(*7) Volume during monaural operation is smaller than during stereo operation.

(*8) THE 120cm (3.94ft) length is when the Belt is stretched out to its maximum extent. When worn, consider a Belt length of 100 cm (3.28ft) (of waist size when clothes are worn) as a rule-of-thumb standard.

Dimensions

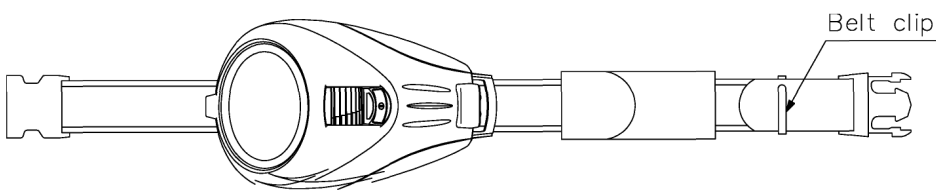
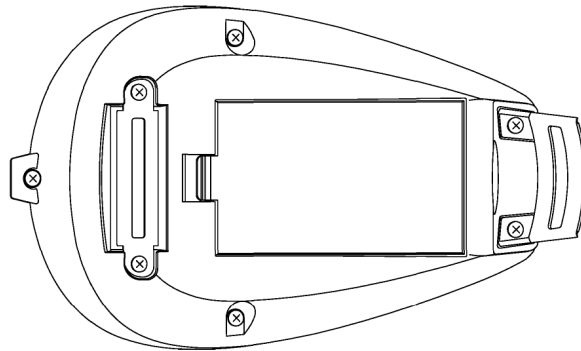
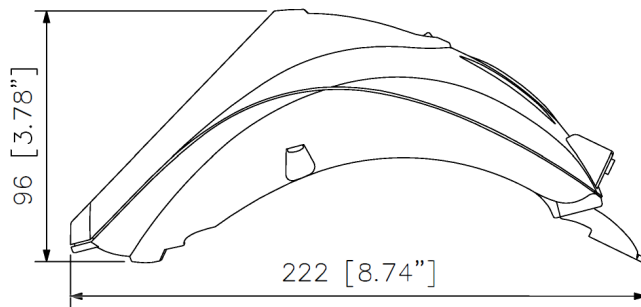
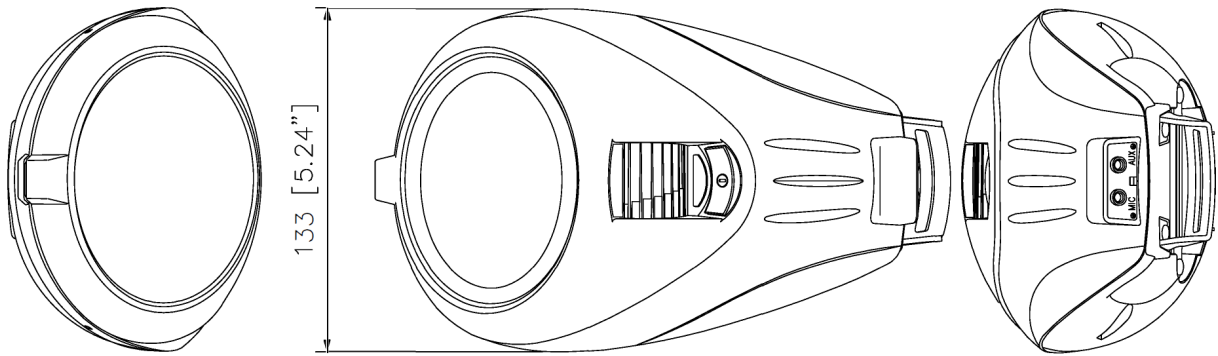
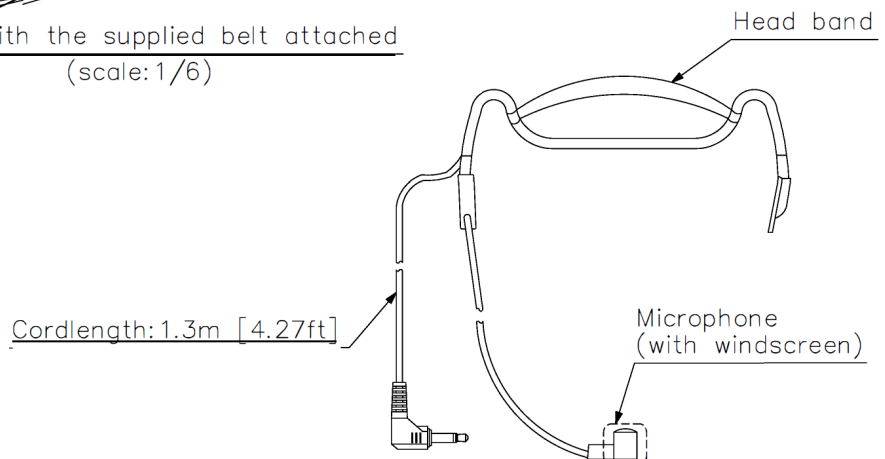


Figure with the supplied belt attached
(scale: 1/6)



Headset microphone (accessory)

