

EM-700

BOUNDARY MICROPHONE



The EM-700 is a low-profile, high-quality, cardioid condenser microphone suitable for installation on a lecture desk or table top in a conference room. It features optimum acoustic characteristics for sound pick-up applications when placed on a flat surface, realizing pure, natural sound quality.

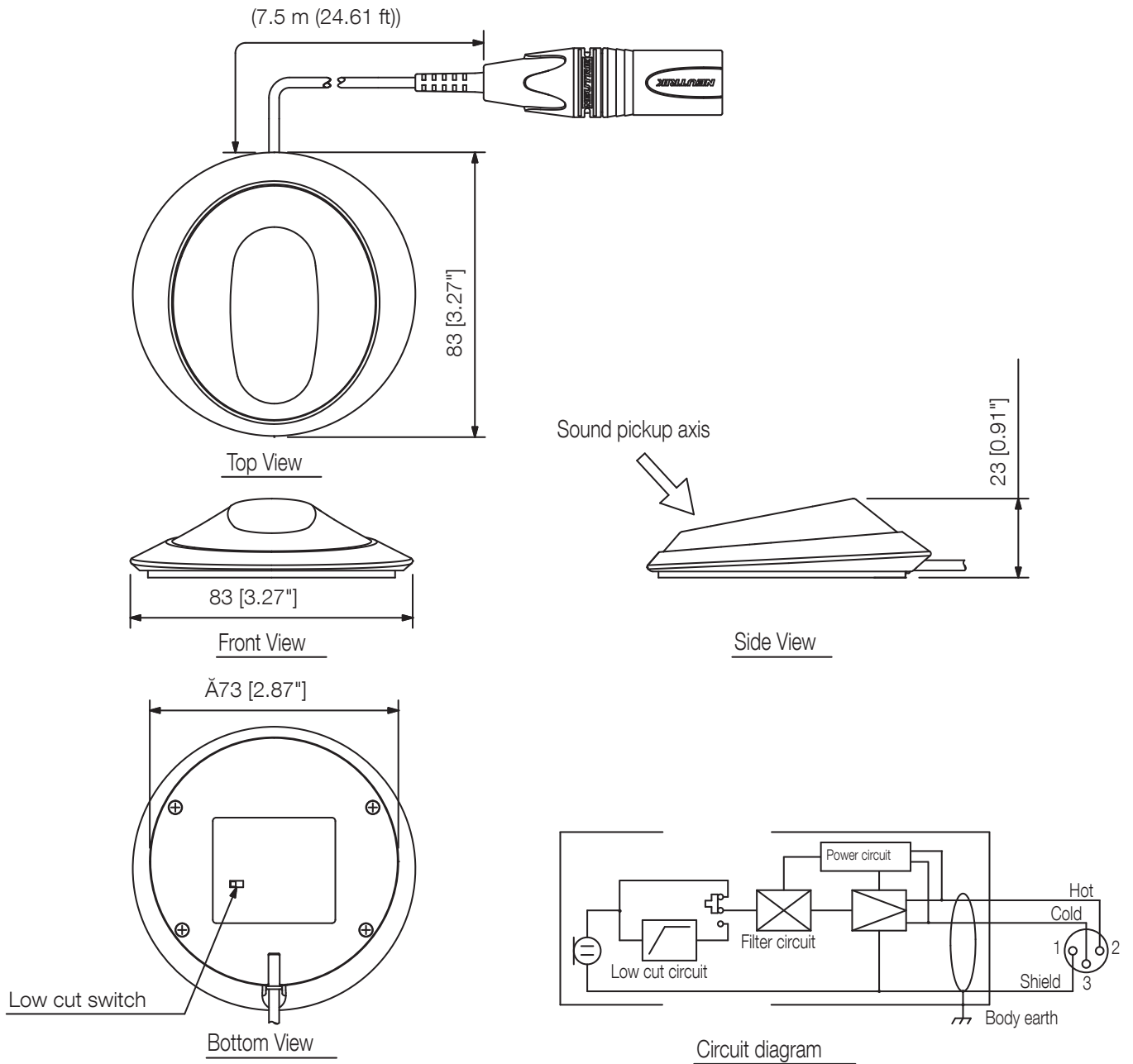
Key features

- Design, optimized to deliver best performance when used on a desk
- Slim, stylish design suits interior decor
- Rejection of undesirable off-axis sound minimizes possible feedback
- Low-cut filter switch prevents interference from ambient noise from being picked up
- Wide frequency range provides well-balanced sound with clarity and a satisfying tonal response

Specifications

Element	Electret condenser
Polar Pattern	Cardioid
Impedance	120 Ω , balanced
Sensitivity	-33 dB (1 kHz 0 dB=1 V/Pa)
Phantom Power	9 - 52 V DC
Frequency Response	35 Hz - 20 kHz
Low Cut	100 Hz, -12 dB/oct
Cable Length	7.5 m (24.61 ft)
Output Terminal	XLR-3-12 equivalent
Operating Temperature	0 °C to +40 °C (32 # to 104 #)
Finish	Body: Die-cast aluminum, black, mat finish, paint Punched net: Surface-treated steel plate, black, mat finish, paint
Dimensions	83 (W) x 23 (H) x 83 (D) mm (3.27 x 0.91" x 3.27") (cord excluded)" 0
Weight	290 g (0.64 lb) # The EM-700 requires 9 - 52 V DC phantom power for operation.

Dimensions



UNIT:mm SCALE:1/2

A&E specifications

The low-profile boundary microphone shall be designed to be placed on a flat surface for sound pick-up applications, and have an electret condenser microphone element with a cardioid polar pattern that rejects off-axis sound, for focused pickup. Frequency response shall be 35 Hz to 20 kHz. Rated impedance shall be 120 ohm, balanced, and rated sensitivity shall be -33 dB (1 kHz 0 dB=1 V/Pa). A low cut filter switch (100 Hz, -12 dB/oct) shall minimize ambient noise interference. The microphone shall be powered by any phantom power source supplying 9 – 52 volts.

The output connector shall be XLR-3-12 equivalent, and cable length shall be 7.5 m (24.61 ft.). Operating temperature shall be 0° C to $+40^{\circ}$ C (32° F to 104° F). Body finish shall be die-cast aluminum, and punched net surface-treated shall be steel plate, both with black matte-finish paint. Dimensions shall be 83 (W) x 23 (H) x 83(D) mm (3.27" x 0.91" x 3.27") (excluding cord), and weight shall be 290 g (0.64 lbs.). The microphone shall provide pure, natural sound quality, and be ideally suitable for installation on a lecture desk or meeting room table-top.

The boundary microphone shall be TOA model EM-700.