

EM-600

FLUSH-MOUNT BOUNDARY MICROPHONE



The EM-600 is an omnidirectional condenser microphone of only 28 mm (1.1") in diameter designed for sound pick-up application. It can be flush-mounted into a ceiling, wall, or desk, making it unobtrusive. It provides clear and high-quality sound.

Key features

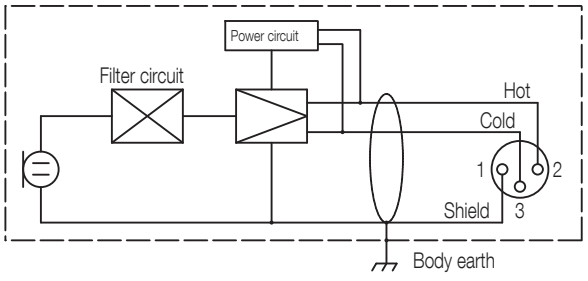
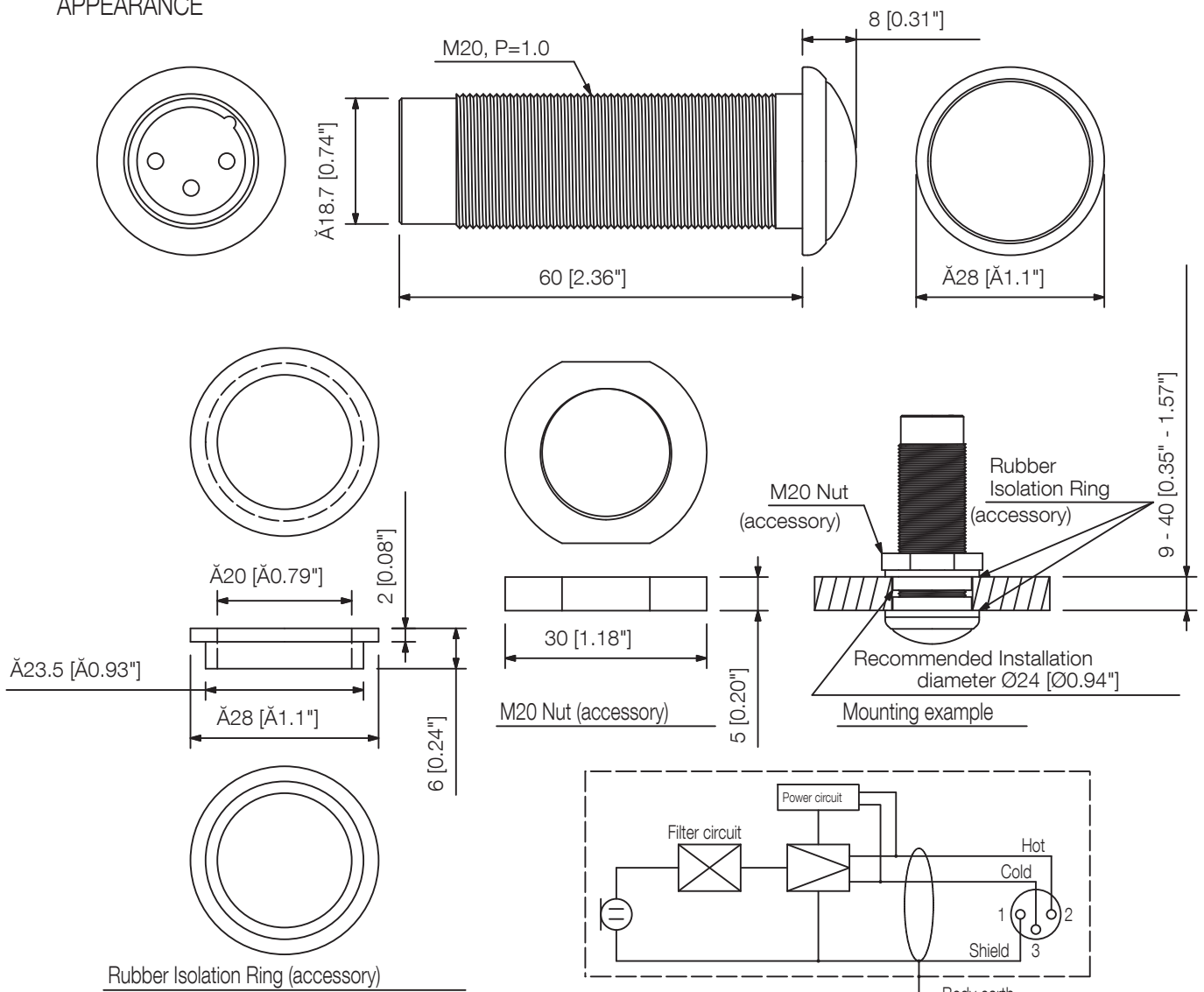
- Wide frequency range provides well-balanced sound with clarity and a satisfying tonal response
- Unobtrusive design allows easy flush-mounting in walls, ceilings, and desktops
- Optimized to deliver best performance when used on a desk or attached to a ceiling
- A 50 Hz low-cut filter reduces intrusive noise, such as air conditioner rumble or door opening/closing
- Two rubber isolation rings provided as an accessory serving to reduce vibration

Specifications

Element	Electret condenser
Polar Pattern	Omnidirectional
Impedance	120 Ω , balanced
Sensitivity	-36 dB (1 kHz 0 dB=1 V/Pa)
Phantom Power	9 - 52 V DC
Frequency Response	30 Hz - 20 kHz
Output Terminal	XLR-3-12 equivalent
Operating Temperature	0 °C to +40 °C (32 # to 104 #)
Finish	Body: Steel, white, semi-gloss, paint Head: Zinc-plated steel wire, white, semi-gloss, paint
Dimensions	Ø28 x 68 mm (Ø1.1 x 2.68")
Weight	85 g (0.19 lb)
Included Accessories	Rubber Isolation Ring ...2, M20 Nut ...1 # The EM-600 requires 9 - 52 V DC phantom power for operation.

Dimensions

APPEARANCE



Circuit diagram

UNIT:mm SCALE:1/1

A&E specifications

The flush-mount boundary microphone shall be designed for sound pick-up applications, be 28 mm (1.1") in diameter, and have an omnidirectional electret condenser microphone element. It shall be unobtrusively mountable into a ceiling, wall or desk.

Frequency response shall be 30 Hz to 20k Hz. Rated impedance shall be 120 ohm, balanced, and rated sensitivity shall be -36 dB (1k Hz 0 dB=1 V/Pa). A 50 Hz low-cut filter shall reduce intrusive noise. The microphone shall be powered by any phantom power source supplying 9 – 52 volts. The output connector shall be XLR-3-12 equivalent. Operating temperature shall be 0° C to +40° C (32° F to 104° F). Body finish shall be steel, and head finish shall be zinc-plated steel wire, both with white semi-gloss paint. Dimensions shall be ø28 x 68 mm (ø1.1" x 2.68"), and weight shall be 85 g (0.19 lbs.). Two rubber isolation rings and an M20 nut shall be provided as accessories. The microphone shall provide clear and high-quality sound, and be well-suited for conference recording and security monitoring applications.

The flush-mounted boundary microphone shall be TOA model EM-600.