

CS-761B

2WAY COAXIAL HORN SPEAKER 60W



CS-761 is a 2-way coaxial speaker system designed for high efficiency, high power input handling capacity, and is a highly intelligible speaker suited for public address announcements and BGM application in an outdoor environment.

Key features

- highly intelligible broadcasts that can be used for music.
- IP66 rating: Ideal for outdoor applications within the rated operating temperature specifications.
- 2-way coaxial speaker construction with 16 cm cone speaker and 2.5 cm tweeter enabling.
- Wide frequency response 100 Hz - 20 kHz allowing various audio applications.
- High-powered 60 W rated input enabling high-quality broadcast in a wide area.
- An elegant enclosure formed of straight lines suitable for any installation requirements.

Specifications

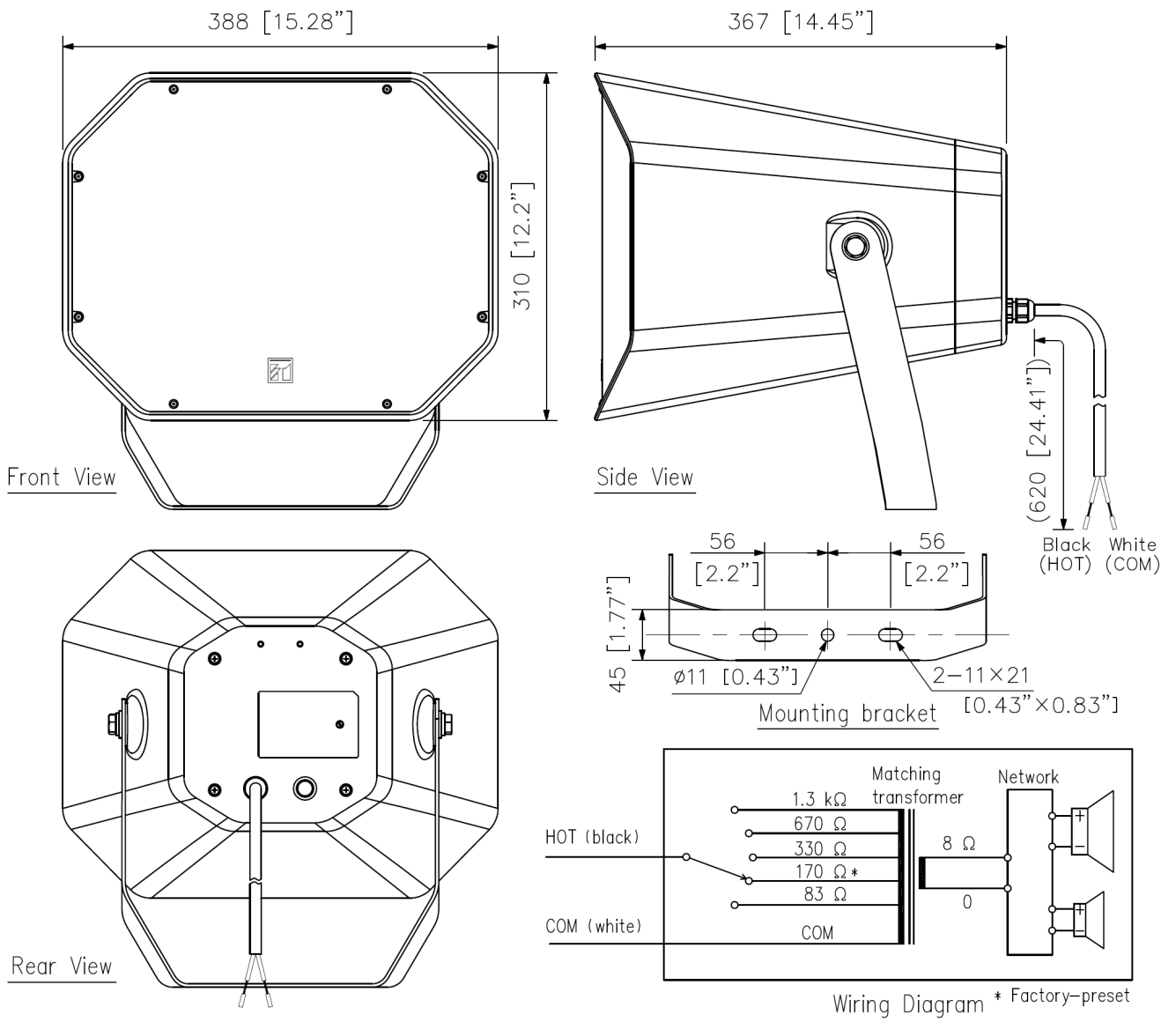
Rated Input	60 W
Rated Impedance	100 V line: 170 Ω (60 W), 330 Ω (30 W), 670 Ω (15 W), 1.3 k Ω (7.5 W) 70 V line: 83 Ω (60 W), 170 Ω (30 W), 330 Ω (15 W), 670 Ω (7.5 W)
Sensitivity	100 dB (1 W, 1 m) (1 kHz – 10 kHz, pink noise)
Frequency Response	100 Hz – 20 kHz
Directivity Angle	Horizontal: 90°, Vertical: 80°
Speaker Component	Low frequency: 16 cm (6") cone-type, High frequency: 2.5 cm (1") tweeter
Connection	Speaker cable (Hot: Black, Com: White)
Dust/Water Protection	IP66
Operating Temperature	-10 to +50 °C (14 to 122 °F)
Finish	Enclosure: ABS resin, black (RAL 9011 equivalent), paint Punched net: Steel plate, black (RAL 9011 equivalent), paint Bracket: Stainless steel, black (RAL 9011 equivalent), powder coating
Dimensions	388 (w) x 310 (h) x 367 (d) mm (15.28" x 12.2" x 14.45")
Weight	7.6 kg (16.75 lb)

Note: Avoid installing the speaker in locations close to the seashore or in indoor swimming facilities that are not well ventilated. In such locations, the bracket may be vulnerable to corrosion, eventually allowing the speaker to fall resulting in personal injury.

Product rear image



Dimensions



UNIT:mm

Note: Numerical values in parentheses are for reference only.

A&E specifications

The coaxial horn speaker is a high efficient 2-way speaker system, It shall have high input power and load capacity, and offer high intelligibility suited for public address announcement, BGM application, and tone signaling distribution. The speaker components shall be a 1" (2.5cm) tweeter and a 6" (16 cm) cone-type dynamic speaker, treated for weatherproof capability. The Rated Power handling shall be 60 W. The coaxial horn speaker shall include a matching transformer to accommodate 70V and 100 V lines. The built-in overload protection circuit shall protect the speaker.

Transformer wattage taps shall include: 70 V: 7.5 W (670 ohms), 15 W (330 ohms), 30 W (170 ohms), 60 W (83 ohms), 100 V: 7.5 W (1.3k ohms), 15 W (670 ohms), 30 W (330 ohms), 60 W (170 ohms). Sound pressure level measured at 1 watt 1 meter shall be 100 dB; with 60 watts input at 1 meter Max SPL 117 dB.

Frequency response shall be 100 - 20k Hz. Crossover frequency at 2.5k Hz with Horizontal and vertical dispersion angle shall be 90° H x 80° V.

The coaxial horn speaker shall comply with the IP-66 rating to protect from dust ingress and from high-pressure water jets from any direction and operate within a temperature range from -10°C to +50°C. The material and finish of the enclosure shall be ABS resin coated with polyurethane resin paint, to resist long-term exposure to ultraviolet light. The color shall be black (RAL 9011 equivalent). The speaker shall include a protective net/grille to prevent damage and the material and finish shall be punched, surface treated steel plate. All mounting hardware, including screws and bolts, shall be stainless steel.

Dimensions (W x H x D) shall be 388 (W) x 310 (H) x 367 (D) mm; weight shall be 7.6 kg.

Manufacturer: TOA Corporation

Model: CS-761B