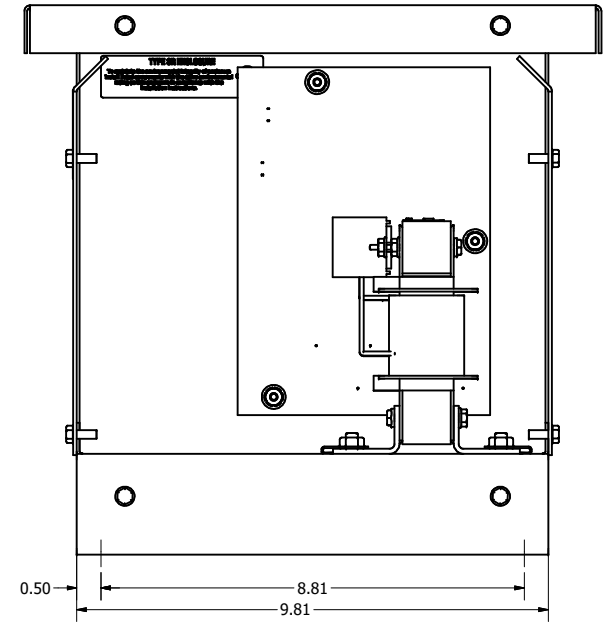
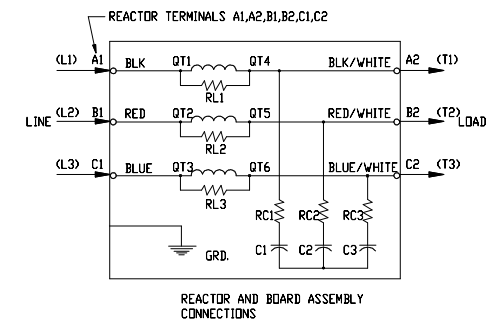
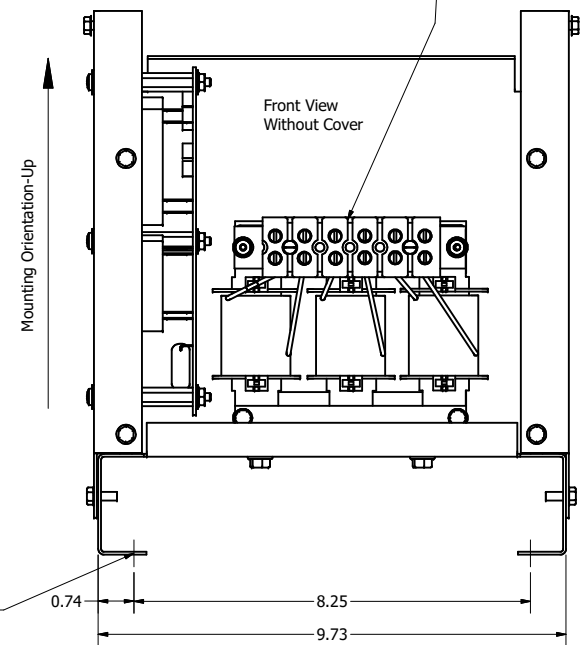
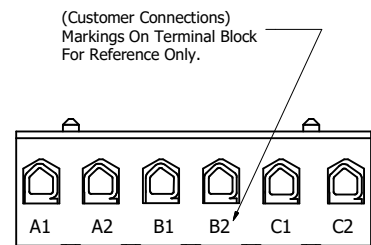
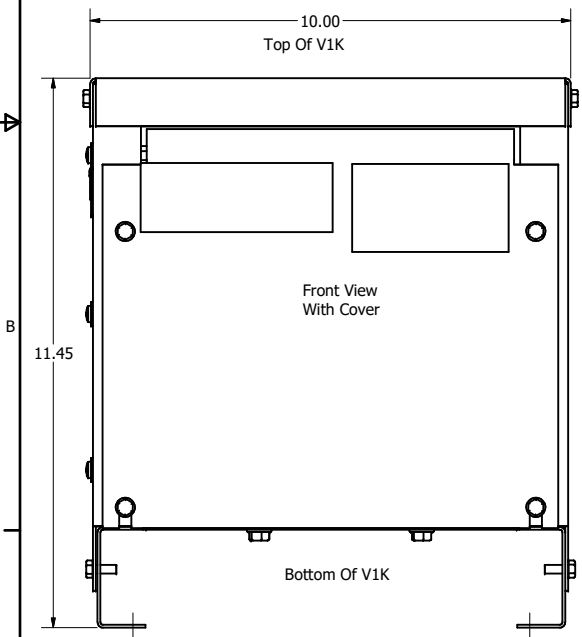
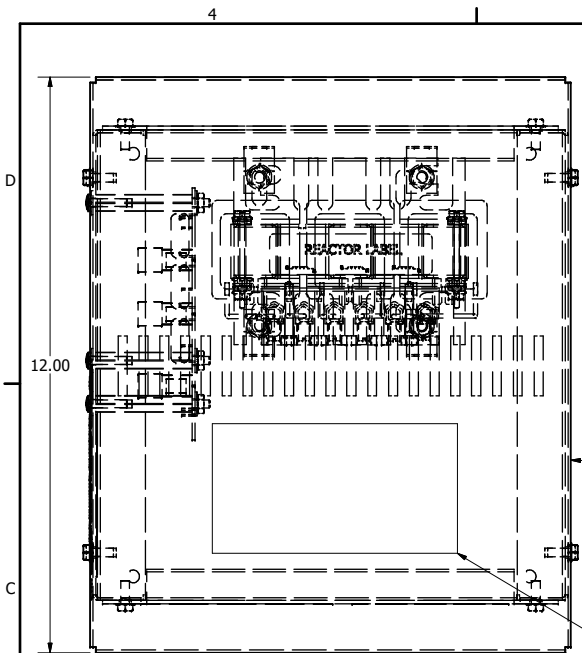


See V1K Installation Guide For Terminal Wire Size And Torque Information.

Note: Maintain Clearance of 3 Inches On All Sides To Other Equipment.

V1K Part Number	Max Voltage	Amps	Phase	Weight (LBS)
V1K16A03	600	16	3	29
V1K16A03EX	600	16	3	29
V1K18A03	600	18	3	29
V1K18A03EX	600	18	3	29
V1K21A03	600	21	3	29
V1K21A03EX	600	21	3	29
V1K25A03	600	25	3	29
V1K25A03EX	600	25	3	29
V1K27A03	600	27	3	29
V1K27A03EX	600	27	3	29



Material(s) Shall be RoHS Compliant

Customer Is Responsible For Installation to Meet All National And Local Electrical Codes.  
NOTE: USE ONLY HUBS OR FITTINGS THAT COMPLY WITH UL514B FOR TYPE 3R ENCLOSURES

TOLERANCES (EXCEPT AS NOTED)			
			DECIMAL
			.XX ± .25
			.XXX ± .10
E	4658 Rated To Max Voltage	03/04/19	JRN
D	4330 - 25A Option Added	03/28/18	JRN
C	4030, VIK DRAWING UPDATE	6/23/17	DSW
NO	REVISION	DATE	BY
			± 1°