

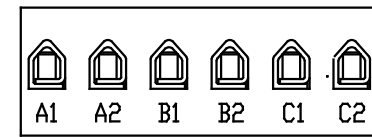
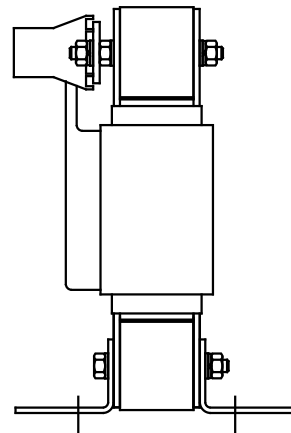
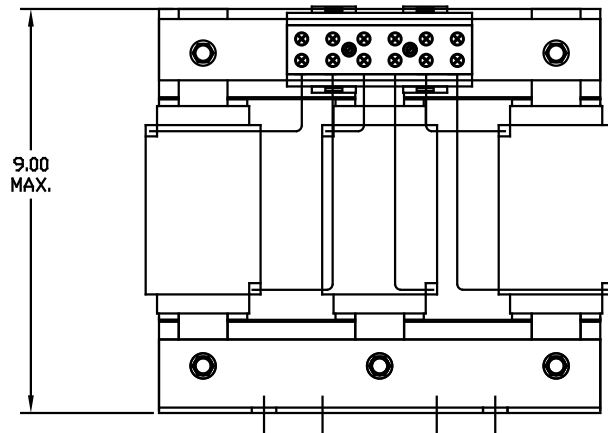
CATALOG NO	VOLTS(V.)	__mH±10%	__AMPS(A)	APPROX WT-LBS
KLR45ETB	28.75	.978	45	33
KLR55CTB	24.0	.668	55	33
KLR80ATB	14.4	.276	80	33

**TCI** Performance and Protection for Drives.

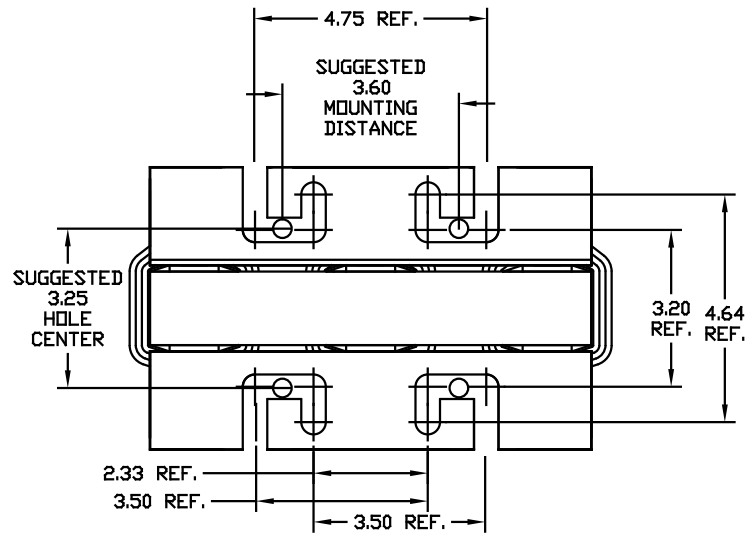
TRANS-COIL, INC  
MILWAUKEE WI  
WWW.transcoil.com  
800-824-8282

**KLR Series Line Reactor**  
CATALOG  
3PH, 60Hz, 600V Max.   Amps  
40C Amb Max, 115C Rise

UL US SA CE



NOTE: A1, A2, B1, B2, C1, C2, MARKINGS ON TERMINAL BLOCK. FOR REFERENCE ONLY.



TERMINAL BLOCK  
TORQUE(LB-IN)=CUSTOMER WIRE

35 = 1 AWG THRU 4 AWG  
30 = 6 AWG THRU 14 AWG  
25 = 16 AWG THRU 22 AWG

NO	REVISION	DATE	BY	TOLERANCES EXCEPT AS NOTED
				DECIMAL
				XX ±.03
				.XXX±.010
				FRACTIONAL ± 1/16
2235	MOUNTING CHG.	06/02/03	DSW	ANGULAR ± 1/2°