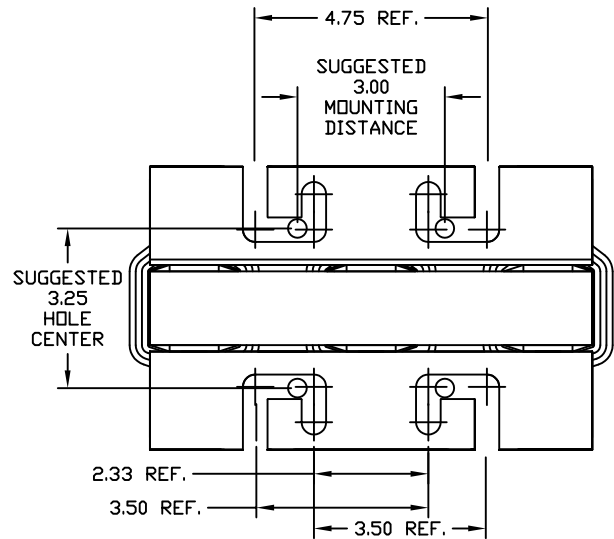
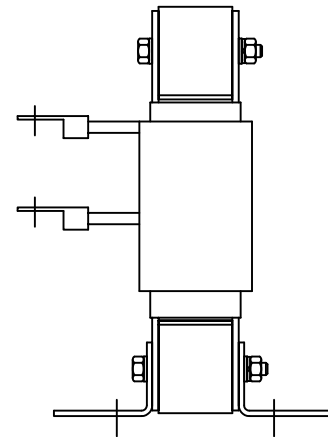
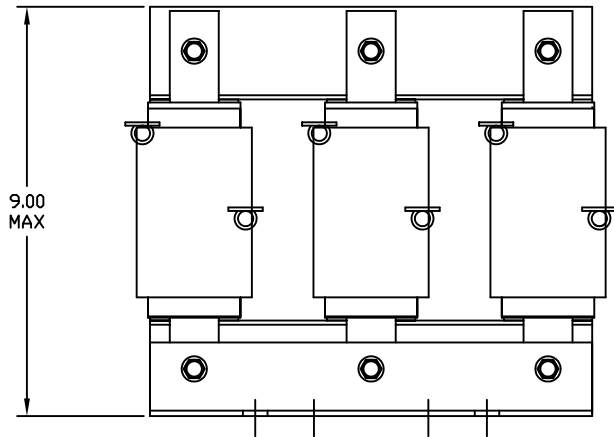
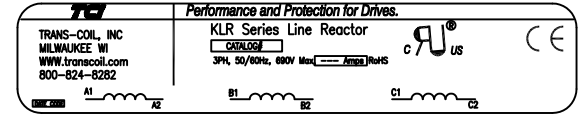


690V	NEC MOTOR HP	CATALOG NO	__AMPS(A)	APPROX WT-LBS	WATTS LOSS	TERMINAL RING HOLE SIZE
5% Z	40	KLR45ERLV	45	26	146	.38 DIA HOLE



NO	REVISION	DATE	BY	TOLERANCES (EXCEPT AS NOTED)
				DECIMAL
				.XX ± .03
				.XXX ± .010
				FRACTIONAL
				± 1/16
				ANGULAR
				± 1/2°