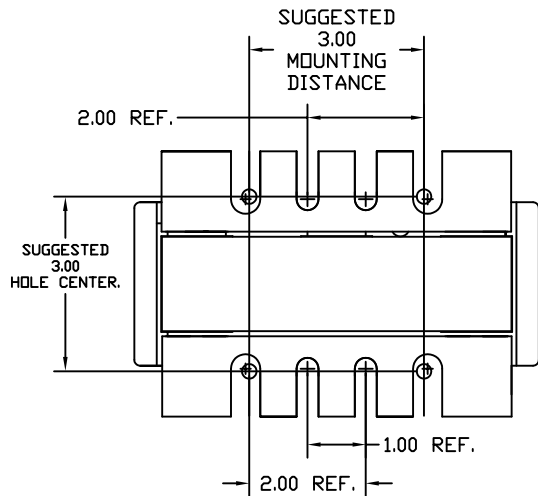
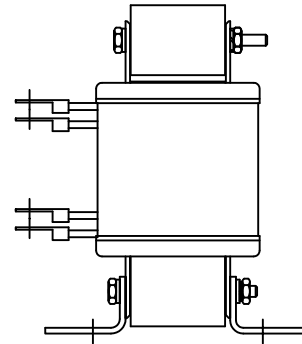
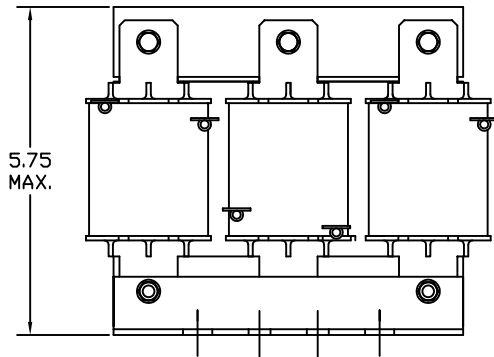
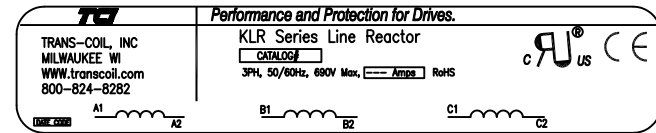


690V	NEC MOTOR HP	CATALOG NO	__AMPS(A)	APPROX WT-LBS	WATTS LOSS	RING TERMINAL HOLE SIZE.
3% Z	30	KLR35DRLV	35	16	79	.25



					TOLERANCES (EXCEPT AS NOTED)
					DECIMAL
					.XX ± .03
					.XXX ± .01
					FRACTIONAL
					± 1/32
					ANGULAR
					± 1/2°
NO	REVISION	DATE	BY		