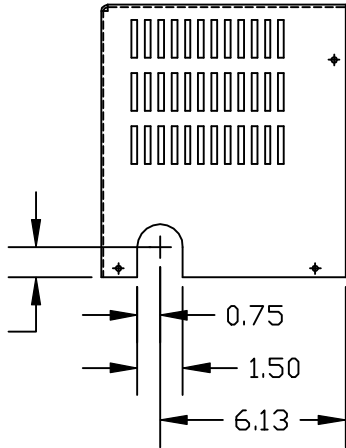
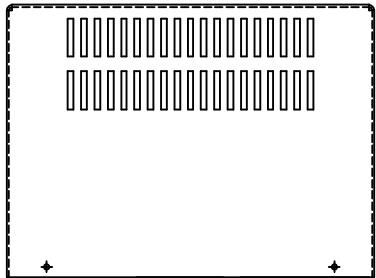
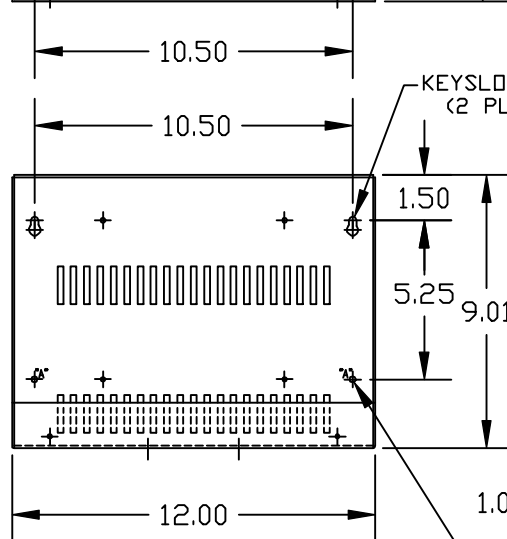
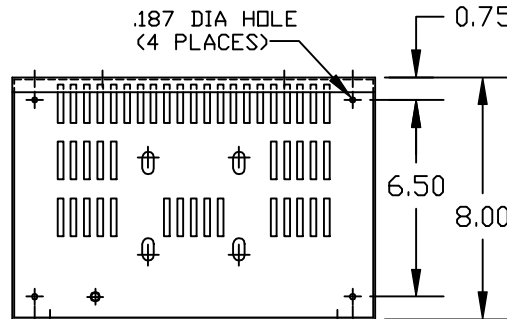


NOTES:

MATERIAL: #16GA (.059) STEEL
 FINISH:
 PRODUCT CODE - 312E
 COLOR - PEBBLE GRAY (BEIGE)
 POWDER TYPE - POLYESTER
 -POLYURETHANE

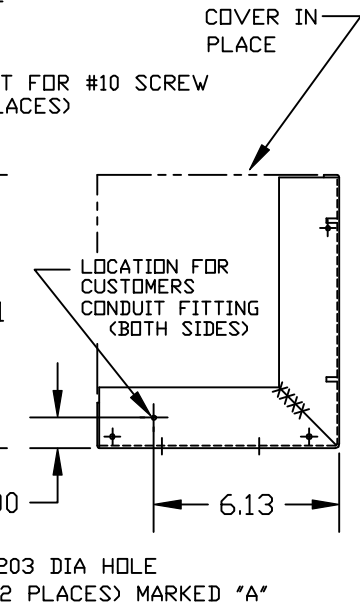


COVER
 TCI P/N 17136



BASE
 TCI P/N 17135

NOTES:
 MATERIAL: #16GA (.074) STEEL
 FINISH:
 PRODUCT CODE - 312E
 COLOR - PEBBLE GRAY (BEIGE)
 POWDER TYPE - POLYESTER
 -POLYURETHANE
 TOTAL ENCLOSURE WEIGHT: 12 LBS.



				TOLERANCES EXCEPT AS NOTED:
				DECIMAL
				.XX ±.01
				.XXX±.005
				FRACTIONAL
				± 1/32
△ REDRAWN-NO REVS.	4/4/01	RJC		ANGULAR
NO	REVISION	DATE	BY	± 1/2°