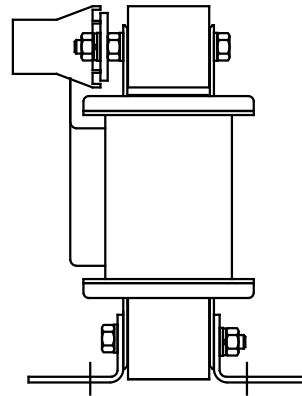
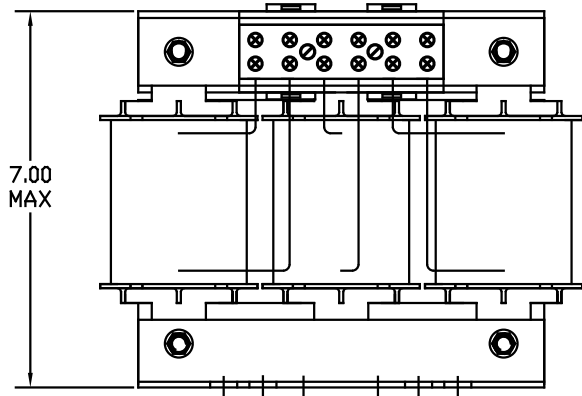


TORQUE(LB-IN)=CUSTOMER WIRE
 35=1 AWG THRU 4 AWG
 30=6 AWG THRU 14 AWG
 25=16 AWG THRU 22 AWG

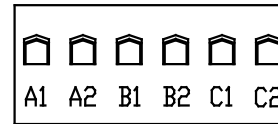
CATALOG NO	VOLTS(V.)	__mH±10%	__AMPS(A)	APPROX WT-LBS
KLR25ETB	28.75	1.76	25	23
KLR27ETB	28.75	1.63	27	23
KLR35CTB	24.00	1.05	35	23
KLR35ETB	28.75	1.258	35	23
KLR45CTB	24.00	.817	45	26
KLR45DTB	17.25	.587	45	26
KLR55ATB	14.40	.401	55	24
KLR55DTB	17.25	.480	55	24
KLR80BTB	7.20	.138	80	23
KLR80FTB	8.62	.165	80	23



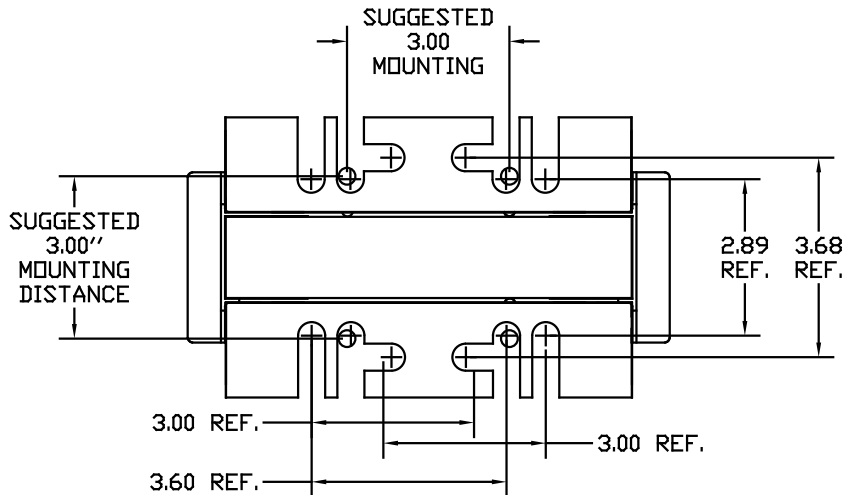
TRANS-COIL, INC
 MILWAUKEE WI
 WWW.TRANSCOIL.COM
 800-624-6282

Performance and Protection for Drives.
KLR Series Line Reactor
 CATALOG # []
 3PH, 60Hz, 600V Max, [] Amps
 400 Amp Max, 118C Flux

UL US SP CE



NOTE: A1, A2, B1, B2, C1, C2,
 MARKINGS ON TERMINAL BLOCK.
 FOR REFERENCE ONLY.



HI-POT VOLT	VAC
2650	468-2

TOLERANCES EXCEPT AS NOTED			
			DECIMAL
			.XX ± .03
			.XXX ± .01
			FRACTIONAL
			± 1/32
M 2235, MOUNTING CHG	06/06/03	DSW	ANGULAR
NO	REVISION	DATE	BY
			± 1/2°