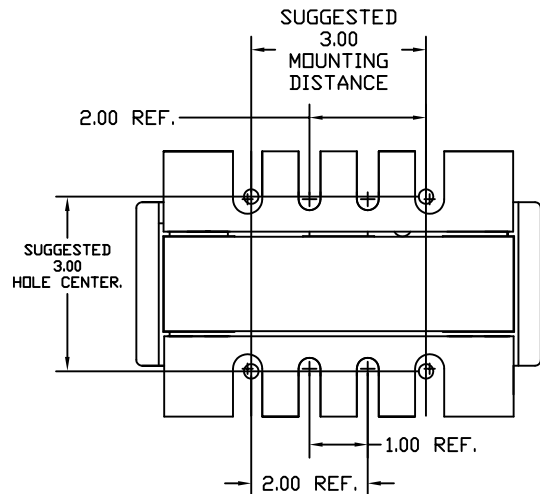
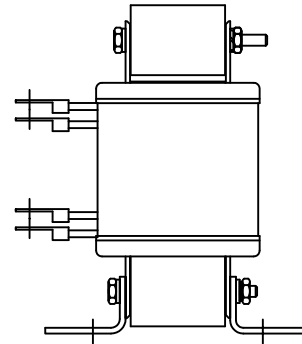
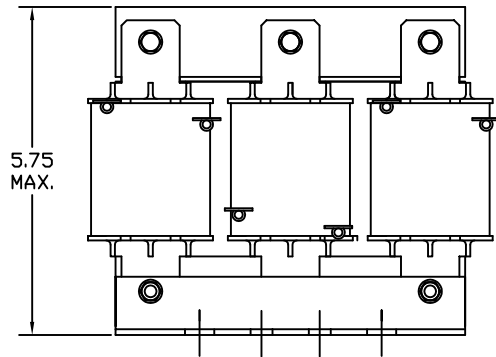
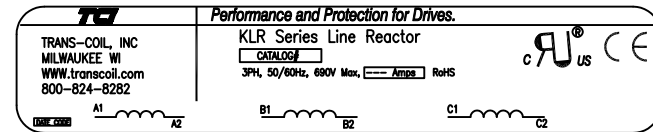


690V	NEC MOTOR HP	CATALOG NO	__AMPS(A)	APPROX WT-LBS	WATTS LOSS	RING TERMINAL HOLE SIZE.
5% Z	15	KLR18ERLV	18	17	73	.25



				TOLERANCES (EXCEPT AS NOTED)	
				DECIMAL	
				.XX ± .03	
				.XXX ± .01	
				FRACTIONAL	
				± 1/32	
				ANGULAR	
				± 1/2°	
NO	REVISION	DATE	BY		