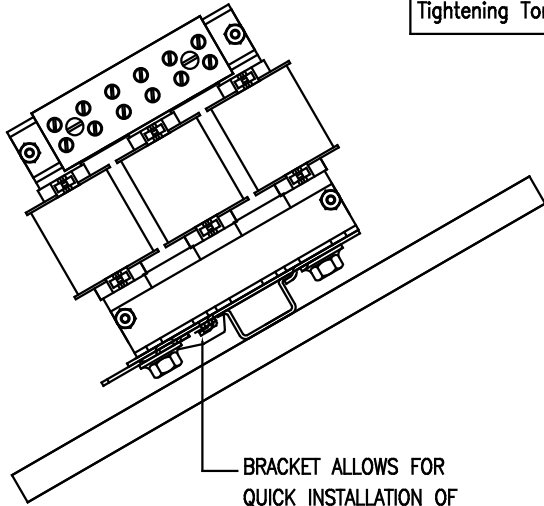
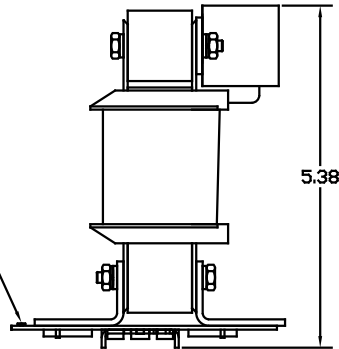
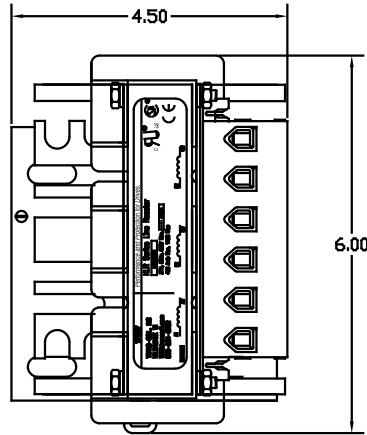


Block Wire Range: #18 to #4 AWG Solid or Stranded, Copper
Tightening Torque: 20 LB-IN



BRACKET ALLOWS FOR QUICK INSTALLATION OF REACTOR ON DIN RAIL.



CATALOG NO	VOLTS(V)	__mH±10%	__AMPS(A)	APPROX WT-LBS	TORQUE(LB-IN)
KLR16ATBDR	14.40	1.38	16	8	20
KLR16BTBDR	7.20	.689	16	7	20
KLR16DTBDR	17.25	1.65	16	8	20

TCI Performance and Protection for Drives.

<p>TRANS-COIL, INC MILWAUKEE WI WWW.transcoil.com 800-824-8282</p>	<p>KLR Series Line Reactor</p> <p>CATALOG# _____</p> <p>3PH, 60Hz, 600V Max, <u> </u> Amps</p> <p>40C Amb Max, 115C Rise</p>	<p>RU[®] US SA[®]</p> <p>CE</p>
--------------------------------------------------------------------------------	------------------------------------------------------------------------------------------------------------------------------------------	---------------------------------------------------

A1

A2

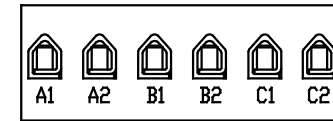
B1

B2

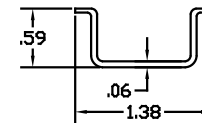
C1

C2

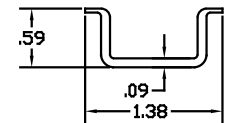
NOTE: A1, A2, B1, B2, C1, C2, MARKINGS ON TERMINAL BLOCK FOR REFERENCE ONLY.



TCI'S DIN RAIL MOUNTED REACTORS FIT STANDARD SIZE DIN RAIL. TCI RECOMMENDS USING HIGH PROFILE STANDARD STEEL RAIL OR HEAVY DUTY STANDARD STEEL DIN RAIL.



STANDARD STEEL HIGH PROFILE DIN RAIL.



HEAVY DUTY STEEL DIN RAIL.

TCI RECOMMENDS TAKING PRECAUTIONS WHEN SHIPPING MOUNTED REACTORS.

NO	REVISION	DATE	BY	TOLERANCES UNLESS SPECIFIED AS SHOWN
				XX ± .03
				XXX ± .01
				± 1/32
				± 1/2"