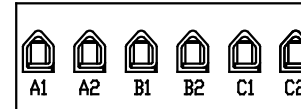
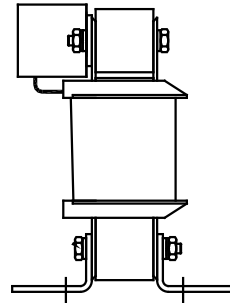
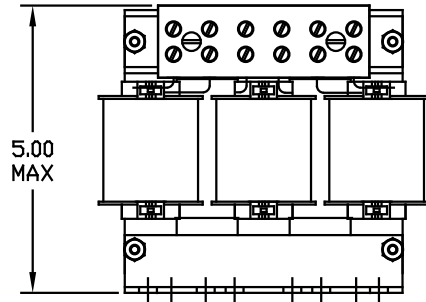
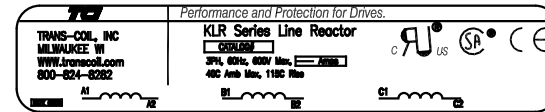
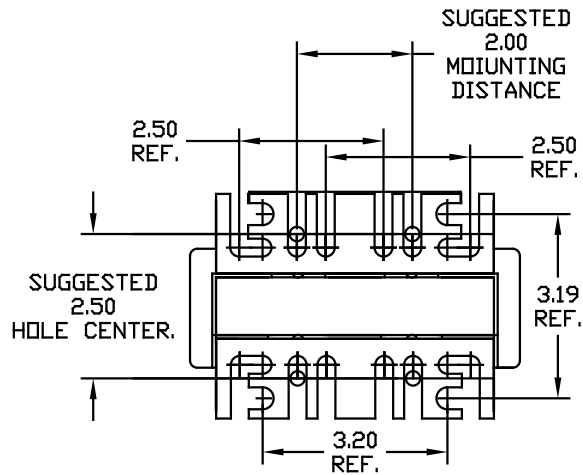


CATALOG NO	VOLTS(V)	__mH±10%	__AMPS(A)	APPROX WT-LBS	TORQUE(LB-IN)
KLR16ATB	14.40	1.38	16	8	20
KLR16BTB	7.20	.689	16	7	20
KLR16DTB	17.25	1.65	16	8	20
KLR16FTB	8.62	.826	16	7	20



NOTE: A1, A2, B1, B2, C1, C2,  
MARKINGS ON TERMINAL BLOCK.  
FOR REFERENCE ONLY.

Block Wire Range: #18 to #4 AWG Solid or Stranded, Copper  
Tightening Torque: 20 LB-IN



				TOLERANCES EXCEPT AS NOTED
				DECIMAL
				.XX ± .03
				.XXX ± .01
				FRACTIONAL
				± 1/32
				ANGULAR
				± 1/2°
2235, MOUNTING CHG	06/03/03	DSW		
NO	REVISION	DATE	BY	