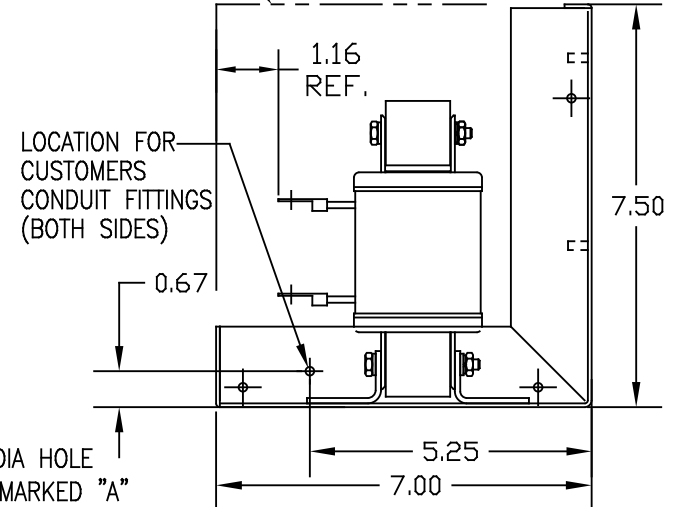
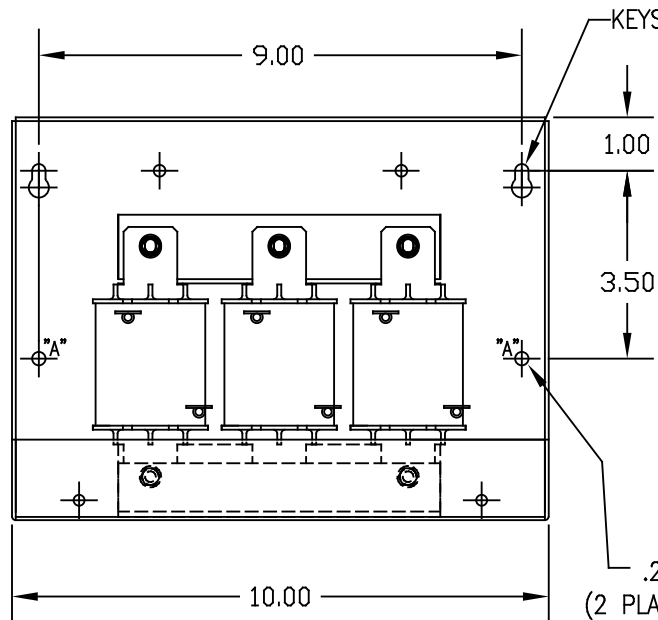
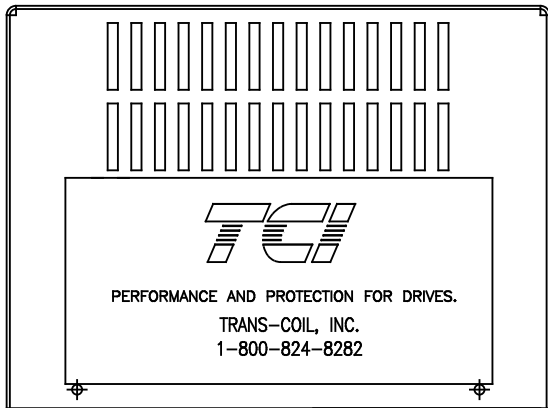
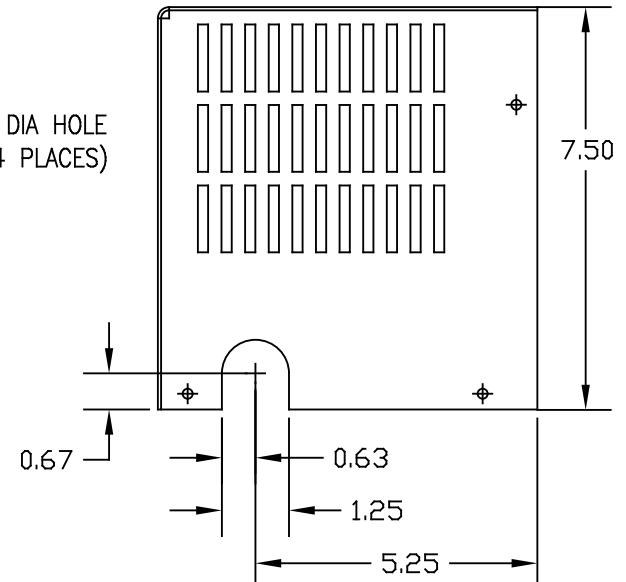


.187 DIA HOLE
 (4 PLACES)



CUSTOMER IS RESPONSIBLE FOR INSTALLATION TO MEET ALL NATIONAL AND LOCAL ELECTRICAL CODES.

VOLTS	NEC MOTOR HP	CATALOG NO	__AMPS(A)	APPROX WT-LBS	WATTS LOSS	RING TERMINAL HOLE SIZE.
690V	7.5	KLR12ERL2V	12	14	56	.190

NO	REVISION	DATE	BY	TOLERANCES EXCEPT AS NOTED
				DECIMAL .XX ±.03 .XXX ±.010
				FRACTIONAL ± 1/16
				ANGULAR ± 1/2°