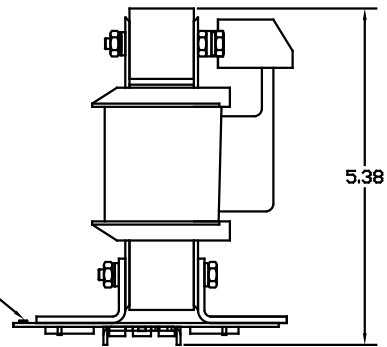
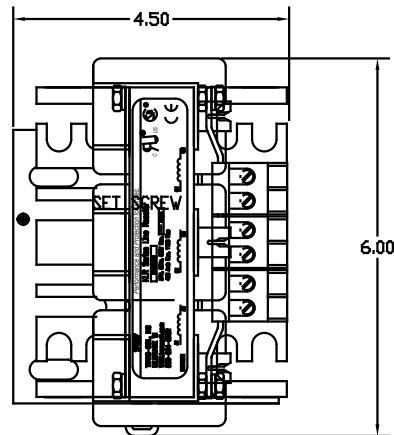
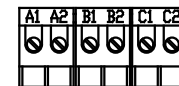
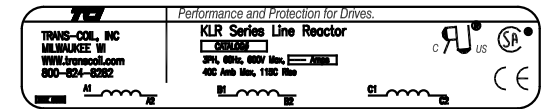


BRACKET ALLOWS FOR QUICK INSTALLATION OF REACTOR ON DIN RAIL.



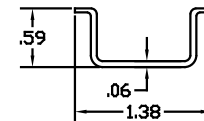
CATALOG NO	VOLTS(V.)	__mH±10%	__AMPS(A)	APPROX WT-LBS	TORQUE(LB-IN)
KLR6CTBDR	24.00	6.13	6	7	10
KLR6ETBDR	28.75	7.34	6	7	10
KLR8CTBDR	24.0	4.59	8	7	10
KLR8DTBDR	17.25	3.30	8	7	10
KLR8ETBDR	28.75	5.50	8	7	10
KLR12ATBDR	14.4	1.84	12	7	10
KLR12CTBDR	24.0	3.063	12	8	10
KLR12DTBDR	17.25	2.20	12	7	10



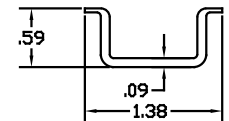
NOTE: A1, A2, B1, B2, C1, C2, IN TERMINAL BLOCK FOR REFERENCE ONLY.

BLOCK WIRE RANGE #12-#18 AWG
FOR REACTOR AND
TIGHTENING TORQUE. 10 LB-IN

TCI'S DIN RAIL MOUNTED REACTORS FIT STANDARD SIZE DIN RAIL. TCI RECOMMENDS USING HIGH PROFILE STANDARD STEEL RAIL OR HEAVY DUTY STANDARD STEEL DIN RAIL.



STANDARD STEEL HIGH PROFILE DIN RAIL.



HEAVY DUTY STEEL DIN RAIL.

TCI RECOMMENDS TAKING PRECAUTIONS WHEN SHIPPING MOUNTED REACTORS.

NO	REVISION	DATE	BY	TOLERANCES UNLESS NOTED
				XX ± .03
				XXX ± .01
				± 1/32
				± 1/2°