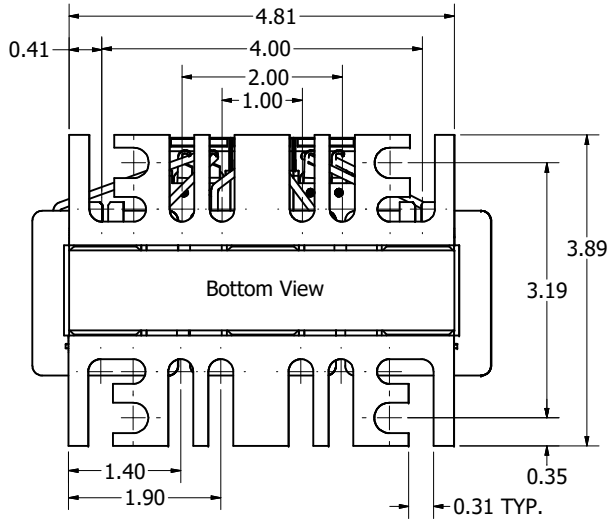
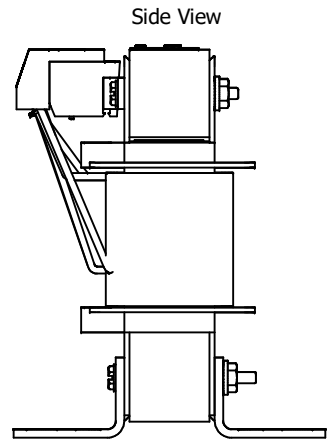
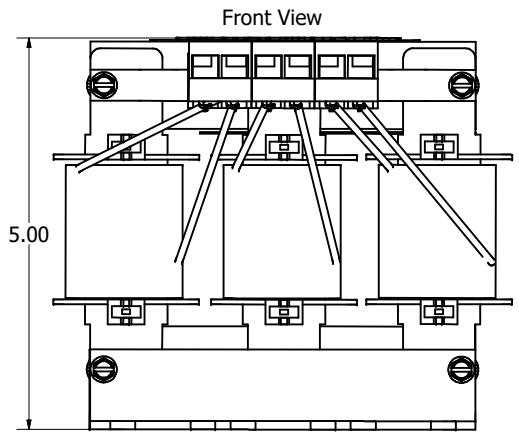
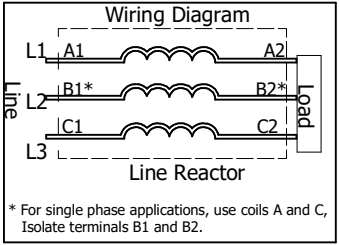
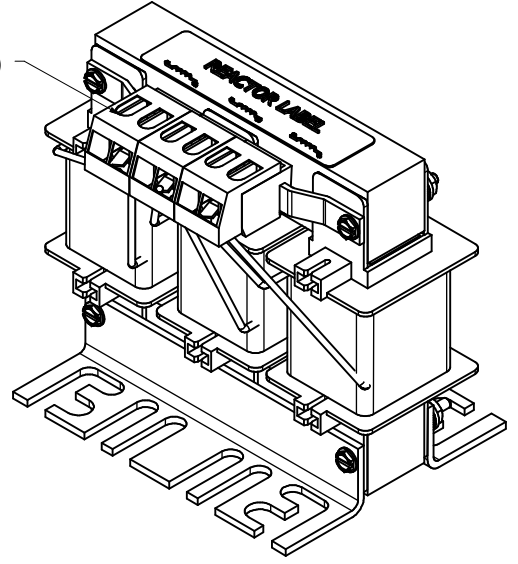


(Customer Connections)
Markings On Terminal
Block
For Reference Only.



Part Number	---Amps (A)	---mH +/-10%	Weight (LBS)	Terminal Torque (LB-IN)
KLR6CTB	6	6.13	7	10
KLR6ETB	6	7.34	7	10
KLR8CTB	8	4.59	7	10
KLR8DTB	8	3.30	7	10
KLR8ETB	8	5.50	7	10
KLR12ATB	12	1.84	7	10
KLR12CTB	12	3.06	7	10
KLR12DTB	12	2.20	7	10

Wire Range: 18-12 AWG.
Torque : 10 IN-LBS (1.1 Nm)



* For single phase applications, use coils A and C, Isolate terminals B1 and B2.

THE INFORMATION AND DESIGNS CONTAINED IN THIS DRAWING ARE CONFIDENTIAL AND THE PROPRIETARY PROPERTY OF ALLIED MOTION TECHNOLOGIES INC. AND ITS SUBSIDIARIES. NEITHER THIS DESIGN NOR ANY INFORMATION CONTAINED IN THIS DRAWING MAY BE REPRODUCED OR DISCLOSED TO OTHERS WITHOUT THE EXPRESS WRITTEN CONSENT OF ALLIED MOTION TECHNOLOGIES INC. AND ITS SUBSIDIARIES.				TOLERANCES (EXCEPT AS NOTED)	
				DECIMAL	
				.XX ± .25 .XXX ± .10	
				FRACTIONAL	
				± 1/16	
				ANGULAR	
				± 1°	
J	6090 Reactor Leads	11/4/2022	DSW		
I	2385 RMVD 2 NUTS	8/25/2005	RCJ		
H	2235 MOUNTING UPDATED	06/02/2003	DSW		
NO	REVISION	DATE	BY		