

Ground Lug.  
See IOM Manual, Part# 30895  
Table S2/0, Wire Size And Torque.

480 Rated Voltage, 690 Max Voltage, High Z, Impedance.

Part Number	Horsepower (HP)	Motor Amps (A)	Maximum Amps (A)	Inductance (uH) +/-10%	Weight (LBS)	Losses (W)
KDRMA1H1E3R1	1/4	0.7	0.75	52500	16.3	7.9
KDRMA2H1E3R1	1/3	0.8	1.0	45900	16.5	9.2
KDRMA3H1E3R1	1/2	1.1	1.5	33400	16.3	14.3
KDRMA4H1E3R1	3/4	1.6	2.0	23000	16.4	19.3
KDRMA5H1E3R1	1	2.1	2.3	17500	16.4	26.7
KDRMA6H1E3R1	1 1/2	3.0	3.3	12300	16.6	30.0

480 Rated Voltage, 690 Max Voltage, Low Z, Impedance.

Part Number	Horsepower (HP)	Motor Amps (A)	Maximum Amps (A)	Inductance (uH) +/-10%	Weight (LBS)	Losses (W)
KDRMA1L1E3R1	1/4	0.7	0.8	31500	16.3	5.0
KDRMA2L1E3R1	1/3	0.8	1.0	27600	16.3	6.2
KDRMA3L1E3R1	1/2	1.1	1.6	20000	16.3	9.7
KDRMA4L1E3R1	3/4	1.6	1.9	13800	16.3	12.1
KDRMA5L1E3R1	1	2.1	2.3	10500	16.2	25.2
KDRMA6L1E3R1	1 1/2	3.0	3.3	7400	16.4	26.4
KDRMA7L1E3R1	2	3.4	4.2	6500	16.4	23.5
KDRMA8L1E3R1	3	4.8	5.0	4600	16.4	30.6

208/ 240 Rated Voltage, 690 Max Voltage, High Z, Impedance.

Part Number	Horsepower (HP)	Motor Amps (A)	Maximum Amps (A)	Inductance (uH) +/-10%	Weight (LBS)	Losses (W)
KDRMA21H1E3R1	1/4	1.4	2.0	13800	16.4	8
KDRMA22H1E3R1	1/2	2.4	3.0	7400	16.4	24.9
KDRMA23H1E3R1	3/4	3.5	4.0	4600	16.4	16.1
KDRMA24H1E3R1	1	4.6	5.0	4000	16.2	28.7
KDRMA25H1E3R1	1 1/2	6.6	7.0	2780	16.5	28.6
KDRMA26H1E3R1	2	7.5	9.0	2290	16.5	32.5

208/ 240 Rated Voltage, 690 Max Voltage, Low Z, Impedance.

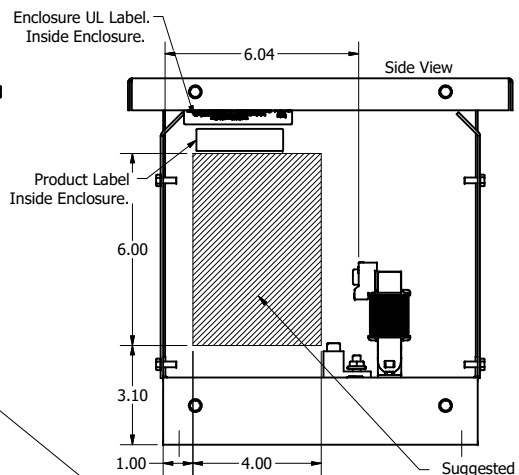
Part Number	Horsepower (HP)	Motor Amps (A)	Maximum Amps (A)	Inductance (uH) +/-10%	Weight (LBS)	Losses (W)
KDRMA21L1E3R1	1/4	1.4	2.0	7400	16.4	4.6
KDRMA22L1E3R1	1/2	2.4	3.0	4600	16.4	6.8
KDRMA23L1E3R1	3/4	3.5	4.2	3150	16.2	12.9
KDRMA24L1E3R1	1	4.6	5.5	2400	16.2	19.2
KDRMA25L1E3R1	1 1/2	6.6	7.0	1670	16.2	23.3
KDRMA27L1E3R1	2	7.5	9.0	1370	16.3	27

600 Rated Voltage, 690 Max Voltage, High Z, Impedance.

Part Number	Horsepower (HP)	Motor Amps (A)	Maximum Amps (A)	Inductance (uH) +/-10%	Weight (LBS)	Losses (W)
KDRMA41H1E3R1	1/4	0.5	0.6	91900	16.3	5.9
KDRMA42H1E3R1	1/3	0.7	0.75	65600	16.2	9.1
KDRMA43H1E3R1	1/2	0.9	1.1	51000	16.5	12.9
KDRMA44H1E3R1	3/4	1.3	1.6	35300	16.6	14.6
KDRMA45H1E3R1	1	1.7	2.1	27000	16.5	27.0

600 Rated Voltage, 690 Max Voltage, Low Z, Impedance.

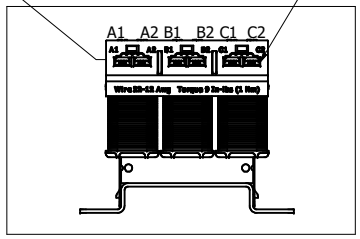
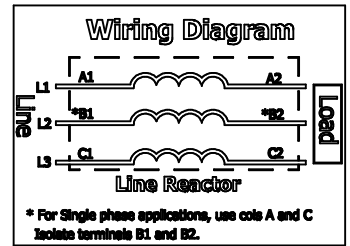
Part Number	Horsepower (HP)	Motor Amps (A)	Maximum Amps (A)	Inductance (uH) +/-10%	Weight (LBS)	Losses (W)
KDRMA41L1E3R1	1/4	0.5	0.6	55100	16.2	3.9
KDRMA42L1E3R1	1/3	0.7	0.8	39400	16.2	6.1
KDRMA43L1E3R1	1/2	0.9	1.1	30600	16.1	8.5
KDRMA44L1E3R1	3/4	1.3	1.5	21200	16.3	10.9
KDRMA45L1E3R1	1	1.7	2.1	16200	16.3	16.2
KDRMA46L1E3R1	1 1/2	2.4	2.5	11500	16.4	17.2
KDRMA47L1E3R1	2	2.7	3.2	10200	16.5	20.5



Enclosure UL Label. Inside Enclosure.

Product Label Inside Enclosure.

Suggested Customer Wire Entrance Either Side Of Enclosure. See Note: 5 (Non Removeable Panel)



**TTCI** | TCI, LLC | Germantown, WI | transcoil.com

**KDR Drive Reactor**

Motor Amps

3PH 50/60Hz, —V Rated, 690V Max, —A Max, RoHS

30C Amb Max 135C Rise, Manual # 30895

CE

Data Code

- Notes: 1. UL file number: cULus Listed File E116124.
2. KDR Drive Reactors Comply With The Thermal and Altitude Standards Set Forth by NEMA ST20-1992.
3. KDR IOM Manual Part Number 30895
4. NEC Current For 208/240 Volts, Horsepower Based On 208 Volts.
5. Material(s) Shall be RoHS Compliant
6. User To Punch Own Holes For Wire Entry.
7. Customer Is Responsible For Installation To Meet All National And Local Electrical Codes.

THE INFORMATION AND DESIGNS CONTAINED IN THIS DRAWING ARE CONFIDENTIAL AND THE PROPRIETARY PROPERTY OF ALLIED MOTION TECHNOLOGIES INC. AND ITS SUBSIDIARIES. NEITHER THIS DESIGN NOR ANY INFORMATION CONTAINED IN THIS DRAWING MAY BE REPRODUCED OR DISCLOSED TO OTHERS WITHOUT THE EXPRESS WRITTEN CONSENT OF ALLIED MOTION TECHNOLOGIES INC. AND ITS SUBSIDIARIES.				TOLERANCES (EXCEPT AS NOTED)	
		DECIMAL			
D	6688, Various MAX AMP UPDATES	5/31/2024	DSW	.XX ±.25	.XXX ±.10
C	5690, KDRMA46L1E3R, Max A Corrector	8/12/2021	DSW		
C	KDRMA46L1E3R at Rev C	8/12/2021	DSW	FRACTIONAL	
C	Reactors At Rev B	8/11/2021	DSW	± 1/16	
B				ANGULAR	
NO	REVISION	DATE	BY	± 1°	