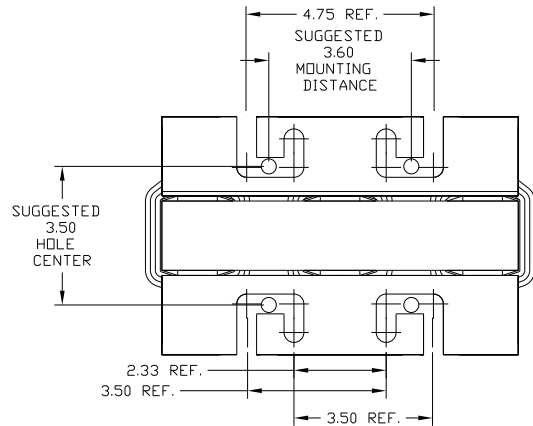
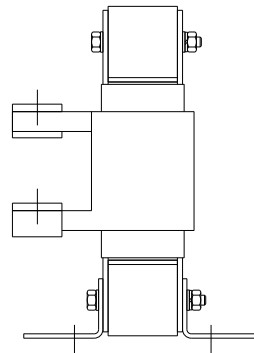
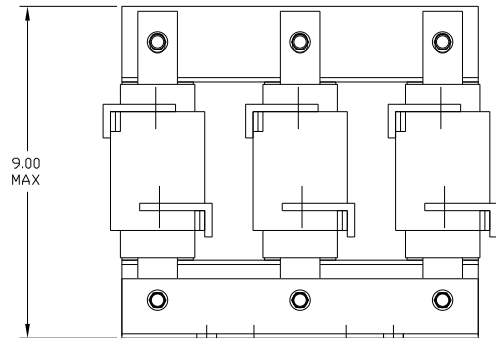


VOLTAGE 690V	NEC MOTOR HP	CATALOG NO	MOTOR HP AMPS	AMPS MAX	APPROX WT-LBS	TERMINAL HOLE SIZE
OUTPUT	200	KDR132PV	192	200	45	.38

	Performance and Protection for Drives.	
	TRANS-COIL, INC MILWAUKEE WI WWW.transcoil.com 800-824-8282	KDR Drive Reactor CATALOG# (Motor Amps ---) 3PH, 50/60Hz, 690V Max, [--- A Max] ReHS



				TOLERANCES (EXCEPT AS NOTED)
				DECIMAL
				.XX ± .03
				.XXX ± .01
				FRACTIONAL
				± 1/32
				ANGULAR
				± 1/2°
NO	REVISION	DATE	BY	