

VOLTAGE	NEC MOTOR HP	CATALOG NO	NEC MOTOR CURRENT	AMPS MAX	APPROX WT-LBS	WATTS LOSS	TERMINAL HOLE SIZE
690V	150	KDRH44LV	144	144	45	253	.28

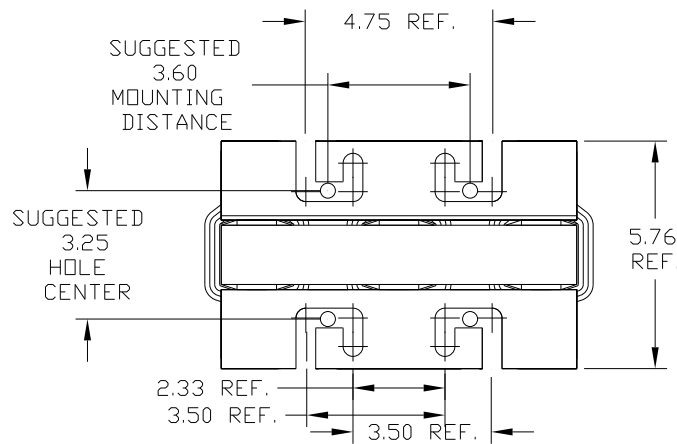
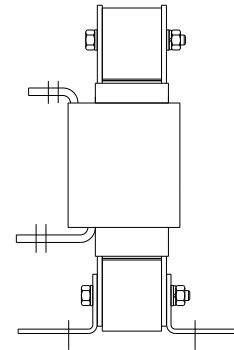
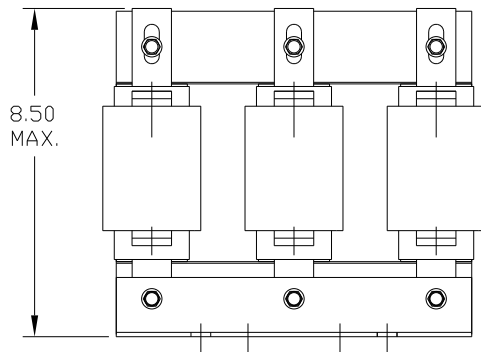
TCI PERFORMANCE AND PROTECTION FOR DRIVES.

TRANS-COIL, INC
MILWAUKEE WI
WWW.transcoil.com
800-824-8282

KDR Drive Reactor
CATALOG# MOTOR HP AMPS
3PH, 50/60Hz, 690V Max, --- A Max., RoHS

UL[®] CE

DATE CODE A1 A2 B1 B2 C1 C2



NO	REVISION	DATE	BY	TOLERANCES (EXCEPT AS NOTED)
				DECIMAL
				.XX ± .03
				.XXX ± .01
				FRACTIONAL
				± 1/32
				ANGULAR
				± 1/2°