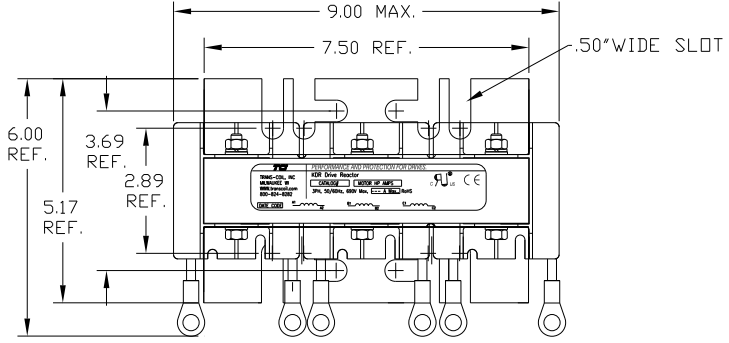


VOLTAGE	NEC MOTOR HP	CATALOG NO	NEC MOTOR CURRENT	AMPS MAX	APPROX WT-LBS	WATTS LOSS	RING LUG HOLE SIZE
690V	60	KDRF46LV	62	62	30	181	.38



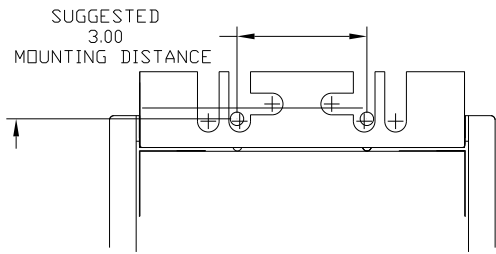
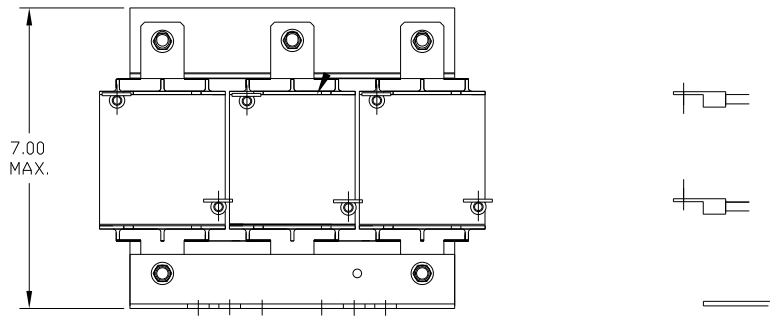
TCI PERFORMANCE AND PROTECTION FOR DRIVES.

TRANS-COIL, INC
MILWAUKEE WI
WWW.transcoil.com
800-824-8282

KDR Drive Reactor
 CATALOG# MOTOR HP AMPS
 3PH, 50/60Hz, 690V Max, A Max., RoHS

UL[®] US CE

DATE CODE A1 A2 B1 B2 C1 C2



NO	REVISION	DATE	BY	TOLERANCES (EXCEPT AS NOTED)	DR	SC
				DECIMAL		
				.XX ± .03		
				.XXX ± .01		
				FRACTIONAL		
				± 1/32		
				ANGULAR		
				± 1/2°		