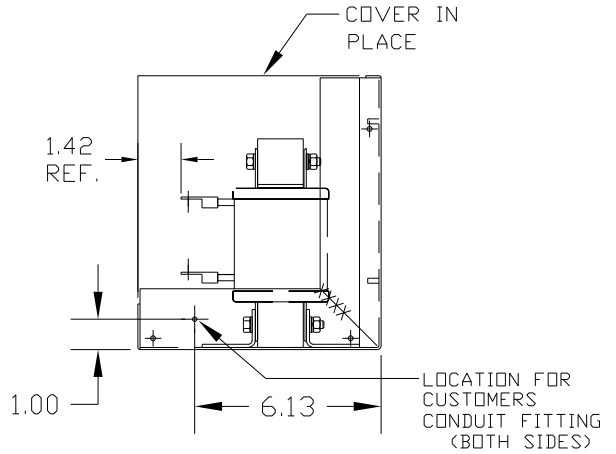
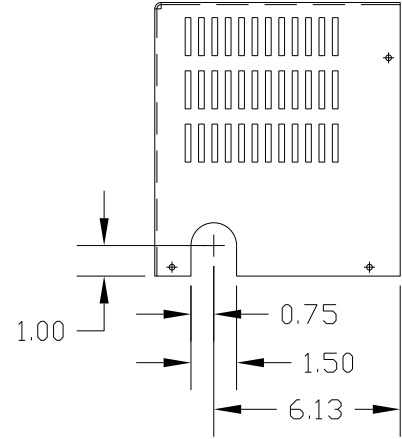
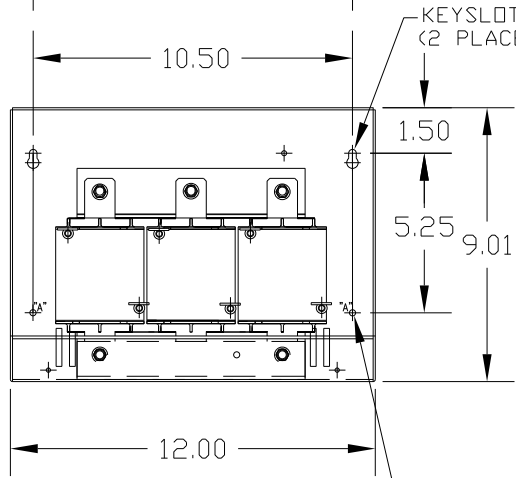
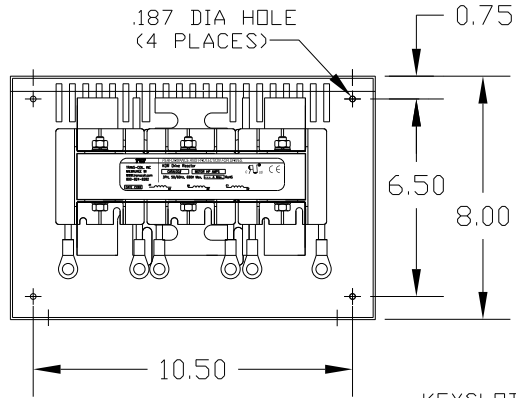
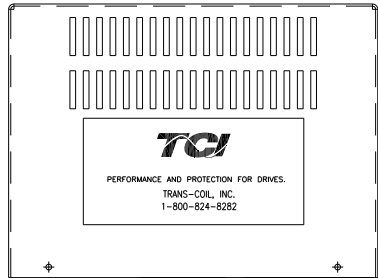
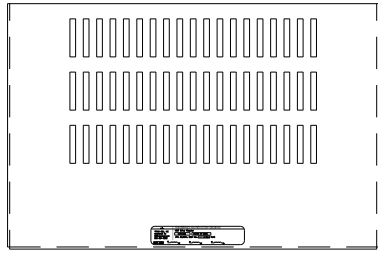


CATALOG NO	VOLTAGE	NEC MOTOR HP	NEC MOTOR CURRENT	APPROX WT-LBS	TERMINAL HOLE SIZE
KDRF32PC3V	690	75	77	37	.375



.203 DIA HOLE (2 PLACES) MARKED "A"

CUSTOMER IS RESPONSIBLE FOR INSTALLATION TO MEET ALL NATIONAL AND LOCAL ELECTRICAL CODES.

				TOLERANCES EXCEPT AS NOTED:
				DECIMAL
				.XX ± .03
				.XXX ± .01
				FRACTIONAL
				± 1/32
				ANGULAR
				± 1/2°
NO	REVISION	DATE	BY	